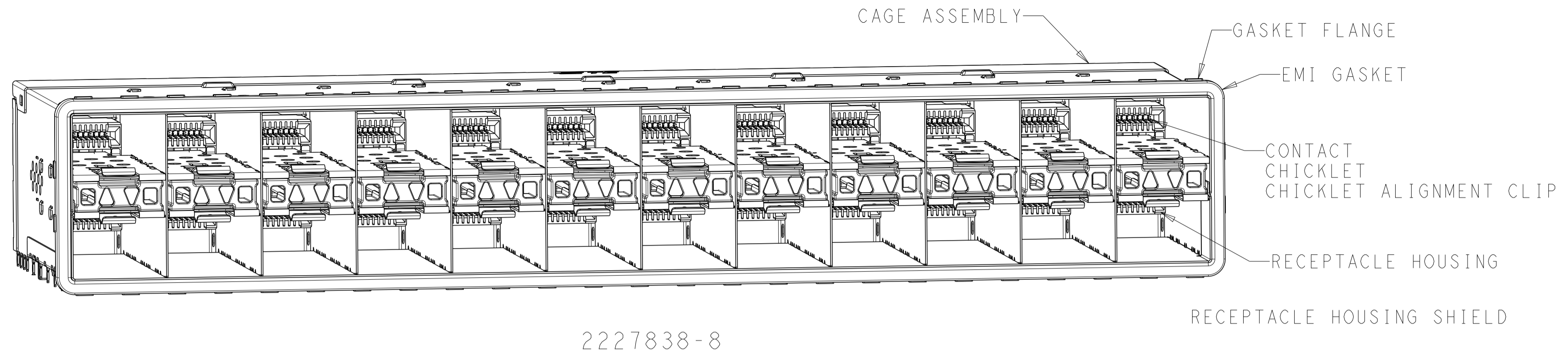
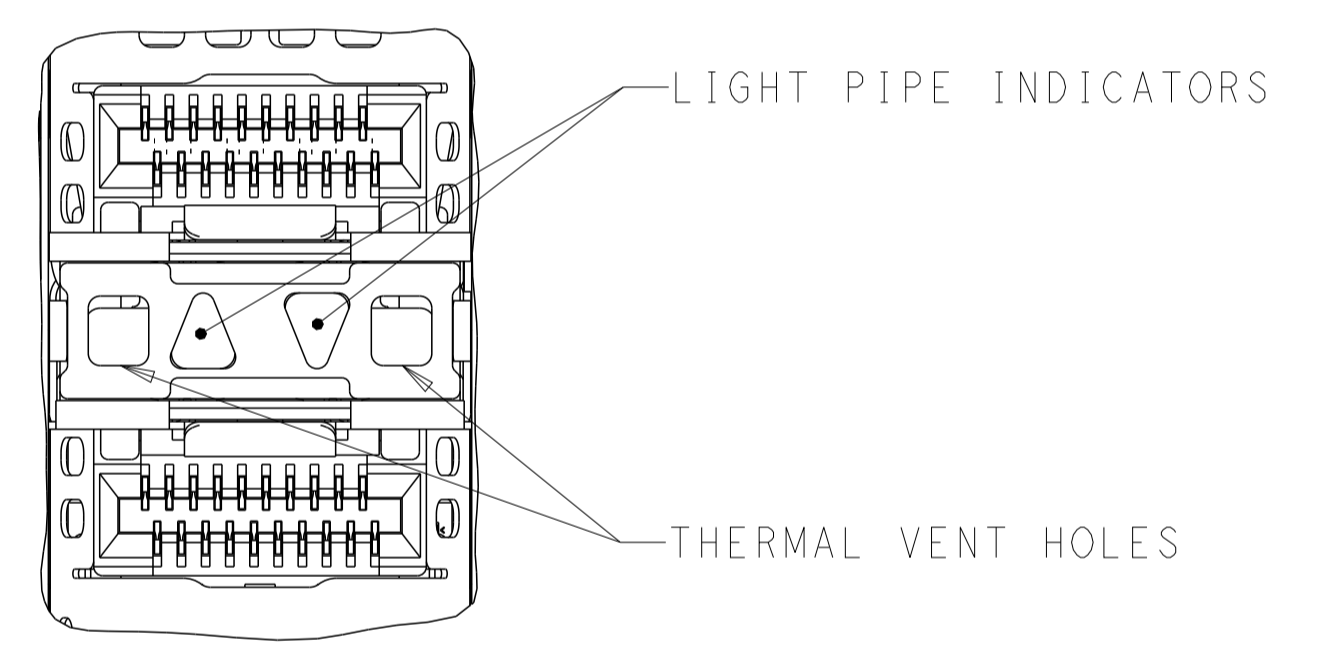
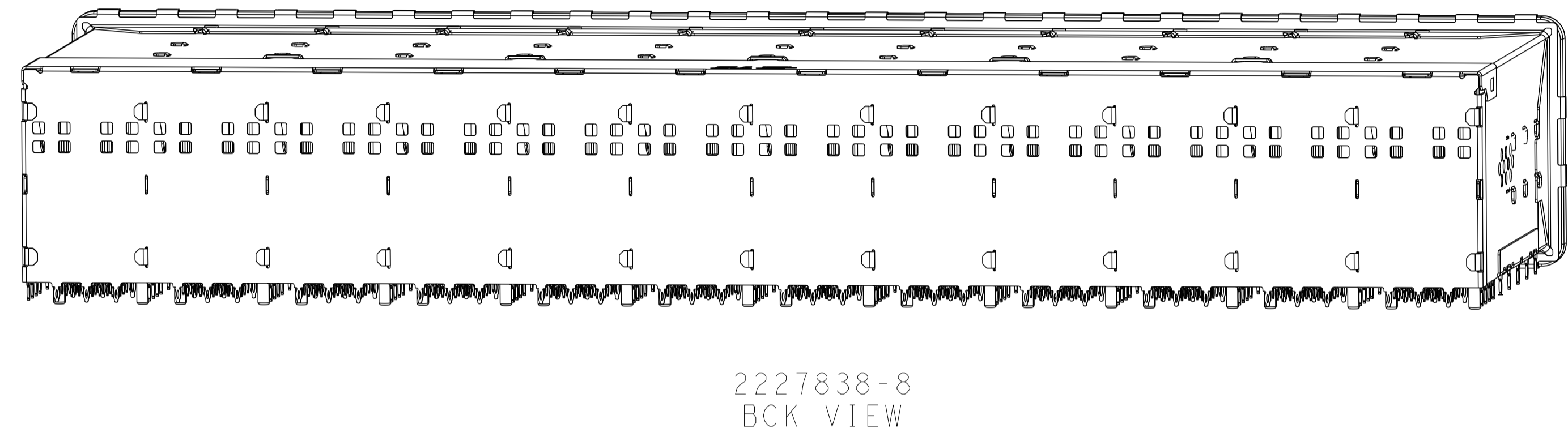


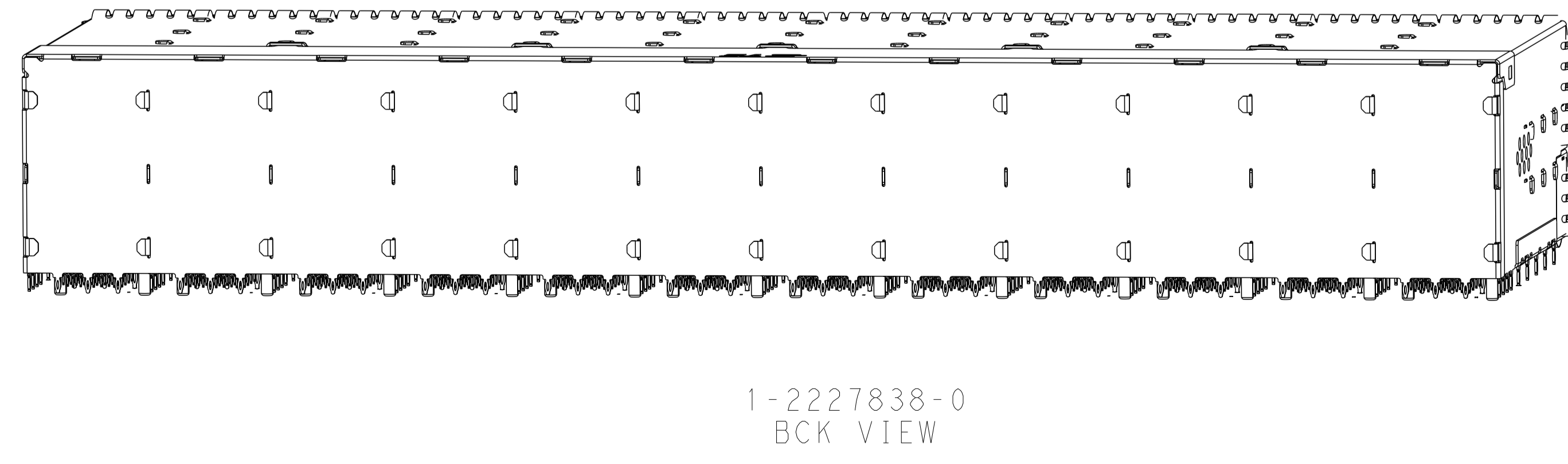
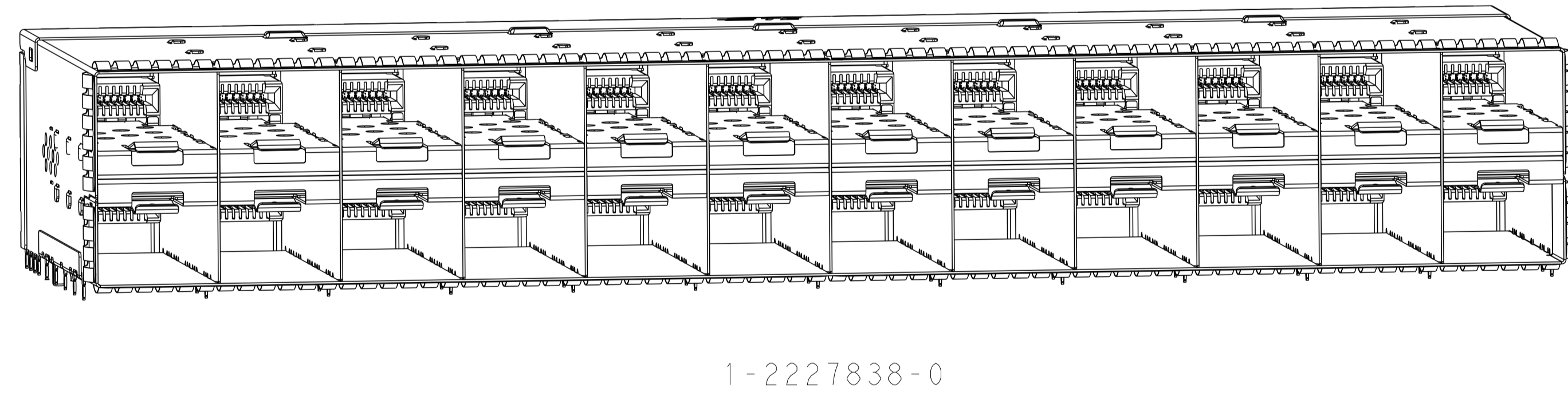
LOC		DIST		REVISIONS			
GP	00	P	LTN	DESCRIPTION	DATE	DMN	APVD
		A		MASS PRODUCTION	24OCT2014	PP	SH
		A1		REVISED PER ECO-20-015059	22OCT2020	JY	SH
		B1		REVISED PER ECN-22-166164	26JUL2022	IT	SZ



- MATERIALS:**
 CAGE ASSEMBLY - NICKEL-SILVER ALLOY PER ASTM B 122
 RECEPTACLE HOUSING - LCP, BLACK, UL 94V-0 RATED
 RECEPTACLE HOUSING SHIELD - COPPER ALLOY
 CHICKLET - LCP, BLACK, UL 94V-0 RATED
 CHICKLET ALIGNMENT CLIP - PBT
 CONTACT - COPPER ALLOY
 EMI GASKET - ELASTOMERIC
 GASKET FLANGE - STAINLESS STEEL
 LIGHT PIPE - POLYCARBONATE
 LIGHT PIPE HOUSING - ZINC ALLOY
 EMI SPRINGS - PHOSPHOR BRONZE PER ASTM B103
 - CONTACT FINISH:**
 CONFORMS TO THE REQUIREMENTS OF TYCO ELECTRONICS
 PRODUCT SPECIFICATION 108-2481, BASED ON EIA/ECA-364-1000.01A,
 (CONTROLLED ENVIRONMENT APPLICATIONS) ON MATING INTERFACE,
 TIN ON NEEDLE EYE
 - PCB MINIMUM THICKNESS = 1.5mm**
- ⚠️ FOR HOLE SIZE AND PLATINGS, SEE APPLICATION SPECIFICATION 114-13319
- ⚠️ LIGHT PIPE PAD LAYOUT IS FOR 0805 LOW PROFILE LED PACKAGE WITH A HEIGHT OF 0.8mm
- ⚠️ THE ENTIRE AREA OF THE CONNECTOR FOOTPRINT, INDICATED BY THE DASHED LINE, TO BE CONSIDERED THE KEEPOUT AREA FOR COMPONENTS AND SIGNAL TRACES, TOP SIDE ONLY, TOP SIDE TRACES ALLOWED WITHIN CONNECTOR HOLE PATTERN
- ⚠️ DIMENSION APPLIES FROM EMI SPRINGS ONLY.



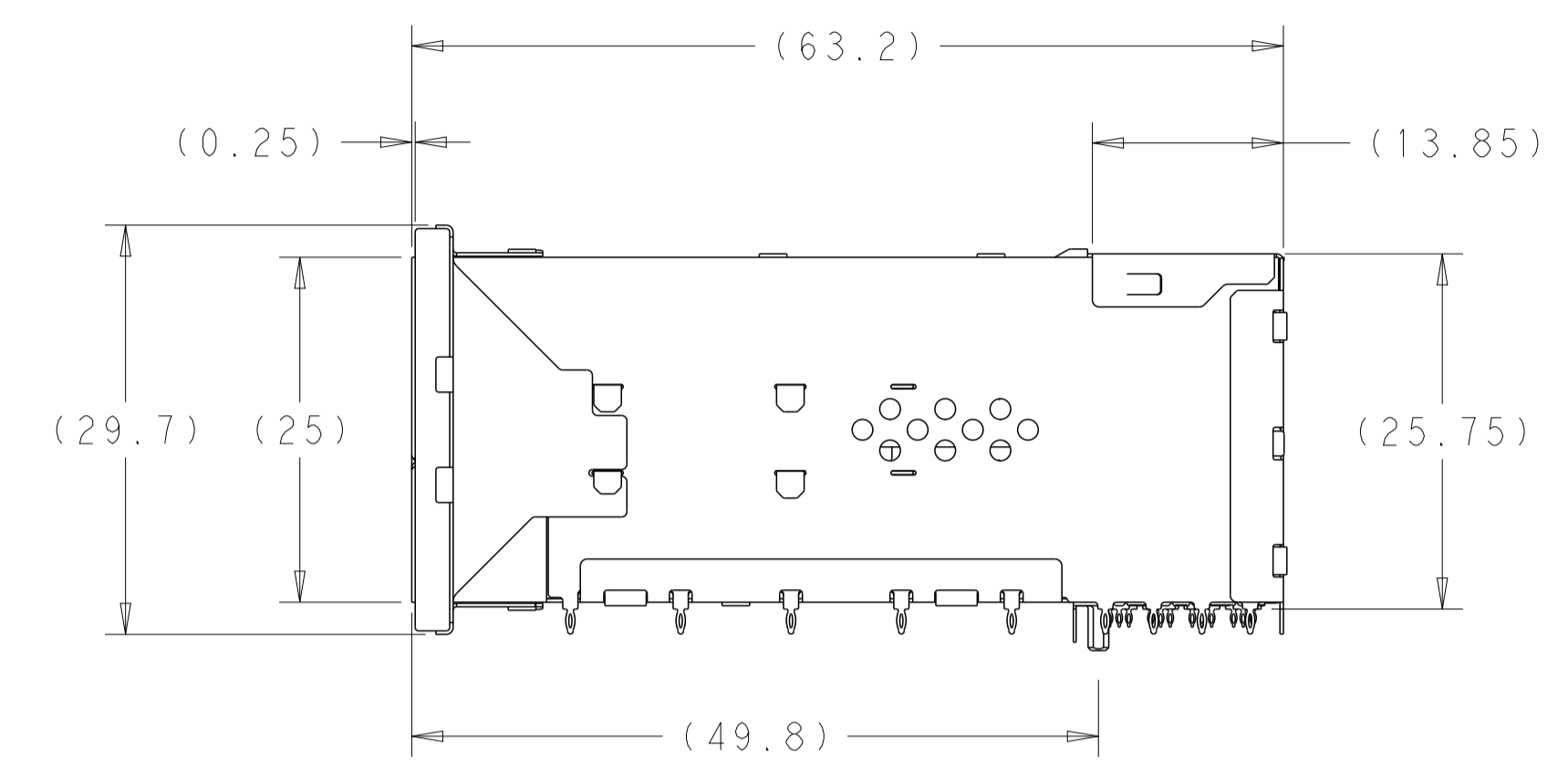
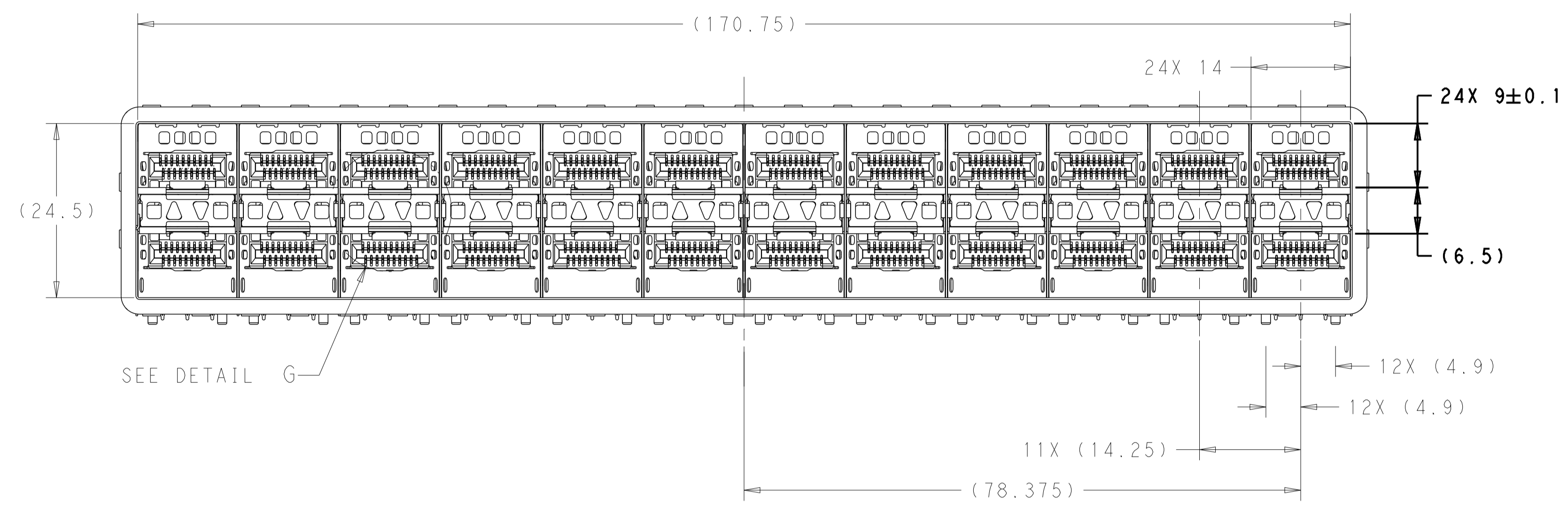
INNER LIGHT PIPE
 2227838-8
 SCALE 4:1



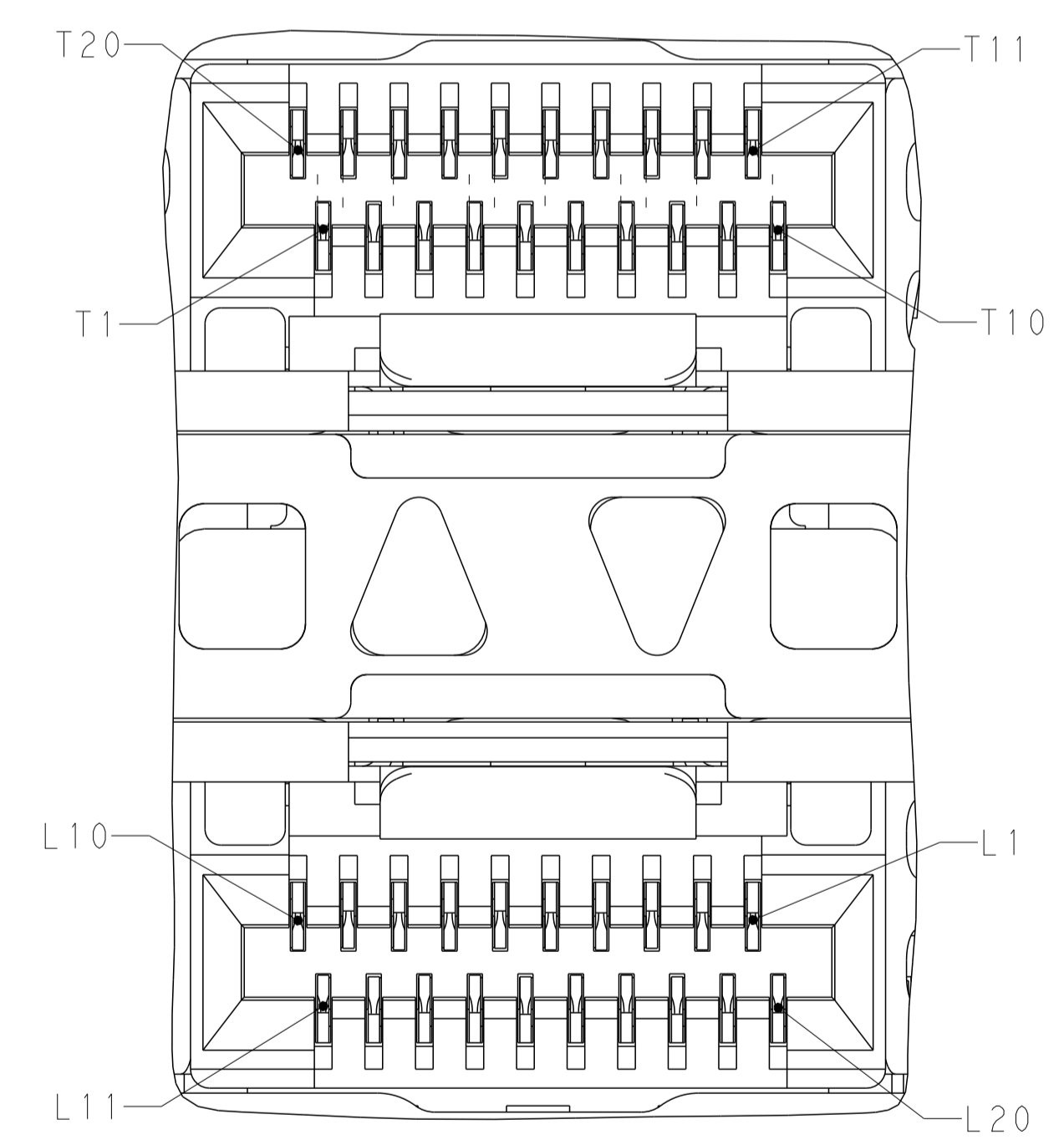
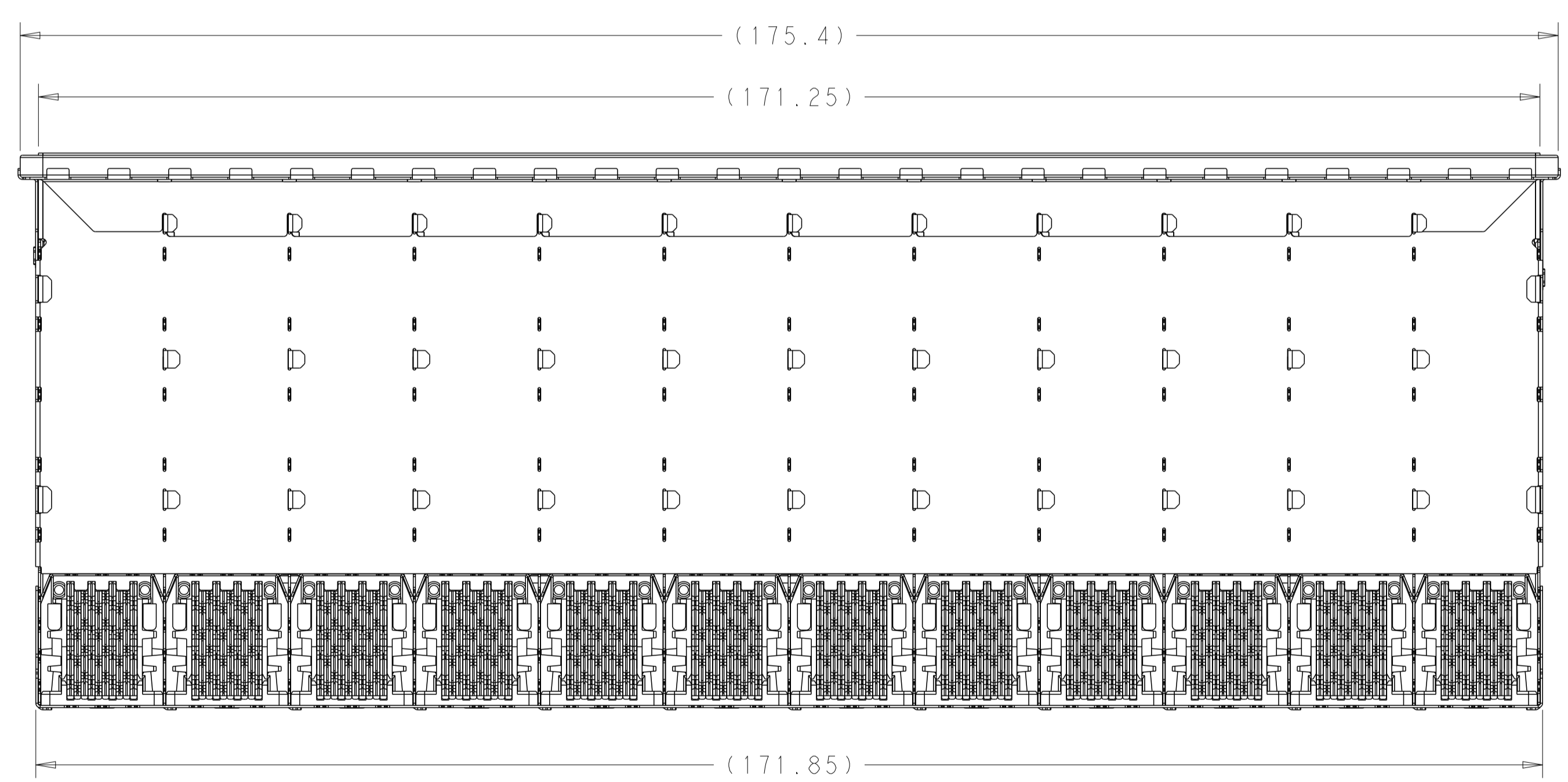
173.5	EMI SPRINGS	NONE	1-2227838-0
176.25	EMI GASKET	INNER	2227838-8
(E)	CAGE TYPE	LIGHT PIPE CONFIGURATION	PART NUMBER

THIS DRAWING IS A CONTROLLED DOCUMENT. DIMENSIONING AND TOLERANCING PER ASME Y14.5M-2009		DMN M. SHIRK 26MAR2013	CHK M. PHILLIPS 26MAR2013	APVD	NAME	RECEPTACLE ASSEMBLY, 2X12, STACKED, zSFP+ THERMALLY ENHANCED	
DIMENSIONS: mm		TOLERANCES UNLESS OTHERWISE SPECIFIED:		PRODUCT SPEC	108-2481	SIZE	A1
0 PLC ±0.10 1 PLC ±0.10 2 PLC ±0.10 3 PLC ±0.10 4 PLC ±0.10 ANGLES ±° FINISH ±		OTHERWISE SPECIFIED: ±0.10 ±0.10 ±0.10 ±°		APPLICATION SPEC	114-13319	CAGE CODE	00779
MATERIAL		FINISH		WEIGHT	-	DRAWING NO	C=2227838
SEE NOTES		SEE NOTES		CUSTOMER DRAWING	SCALE	2:1	SHEET 1 OF 5

LOC		DIST		REVISIONS			
GP	00	P	LTN	DESCRIPTION	DATE	DMN	APVD
		-		SEE SHEET 1	-	-	-



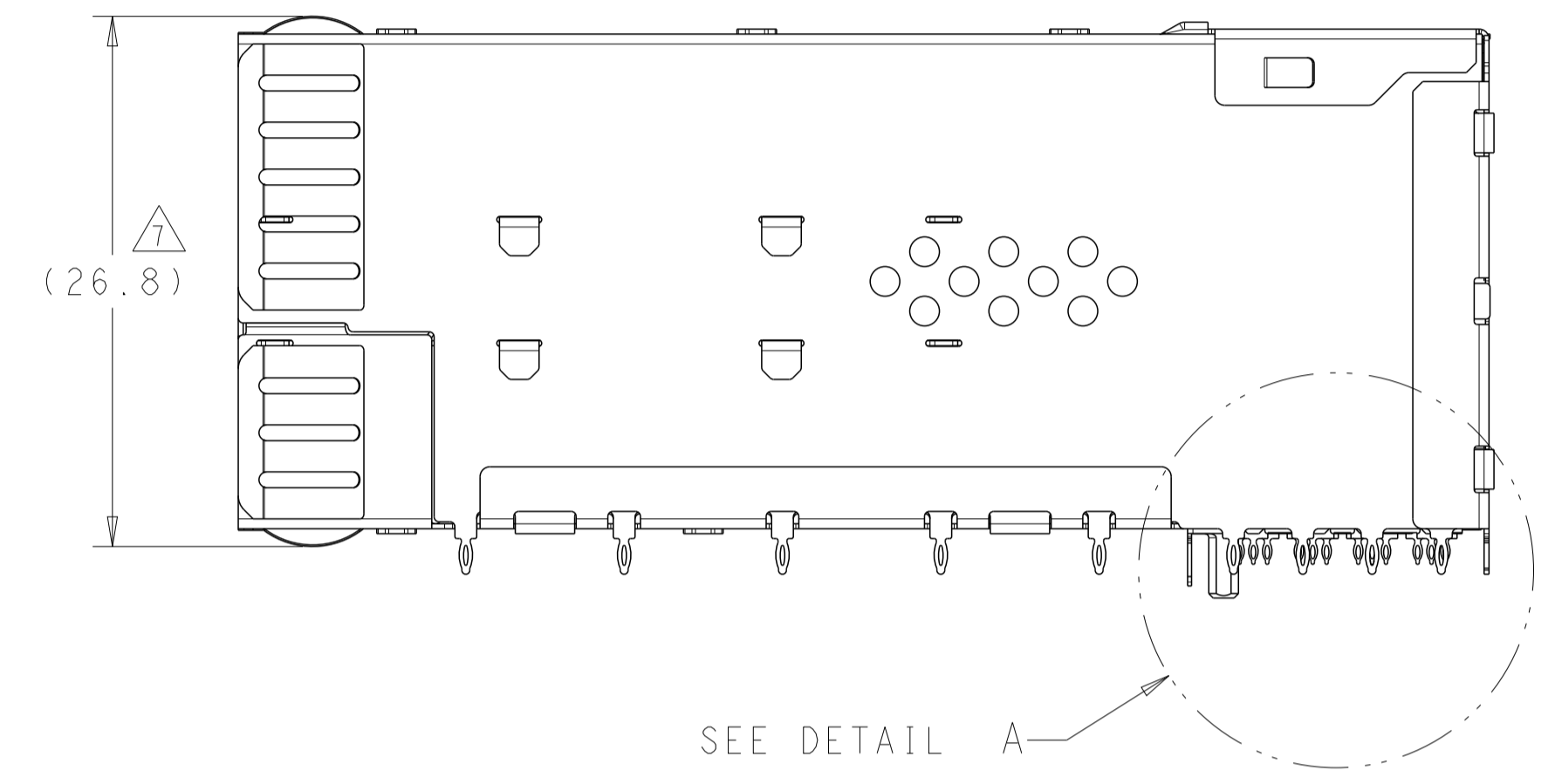
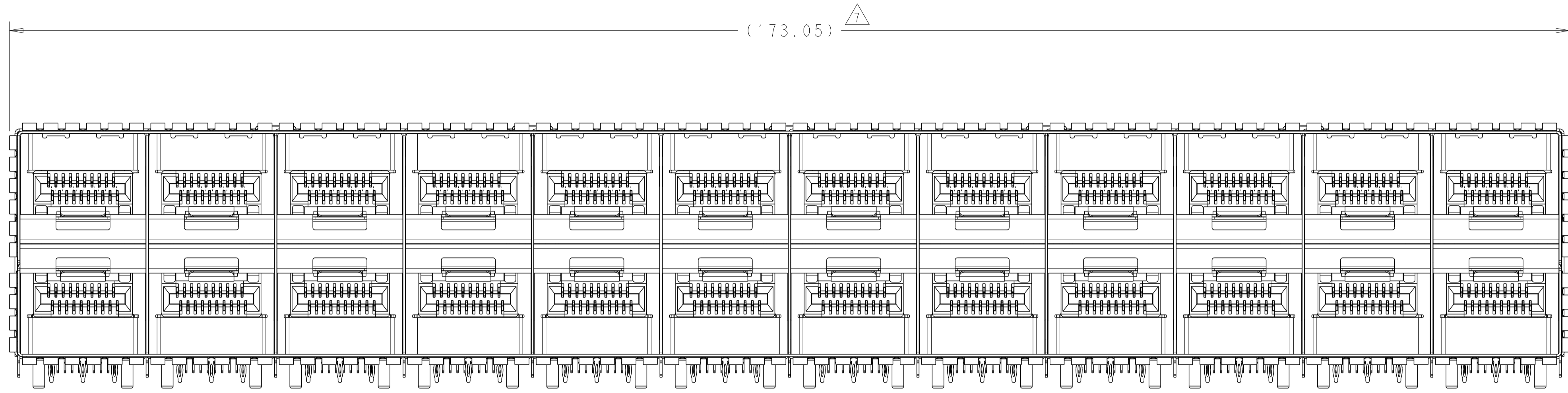
2227838-8
 EMI GASKET ONLY
 SCALE 3:1



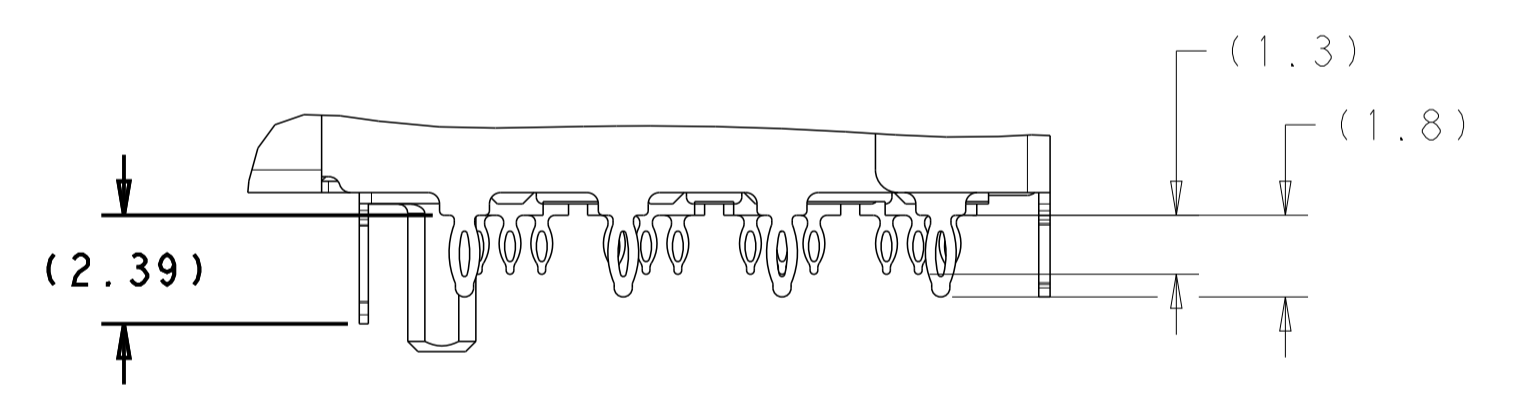
DETAIL G
 12X INDIVIDUALLY
 SCALE 10:1

THIS DRAWING IS A CONTROLLED DOCUMENT. DIMENSIONING AND TOLERANCING PER ASME Y14.5M-2009.		DMN M. SHIRK 26MAR2013	CHK M. PHILLIPS 26MAR2013	APVD -	NAME RECEPTACLE ASSEMBLY, 2X12, STACKED, zSFP+ THERMALLY ENHANCED
DIMENSIONS: mm	TOLERANCES UNLESS OTHERWISE SPECIFIED: 0 PLC ±0.10 1 PLC ±0.10 2 PLC ±0.10 3 PLC ±0.10 4 PLC ±0.10 ANGLES ±°	PRODUCT SPEC 108-2431	APPLICATION SPEC 114-13319	WEIGHT -	RESTRICTED TO -
MATERIAL SEE NOTES	FINISH SEE NOTES	SCALE 2:1	SHEET 2	OF 5	REV B1

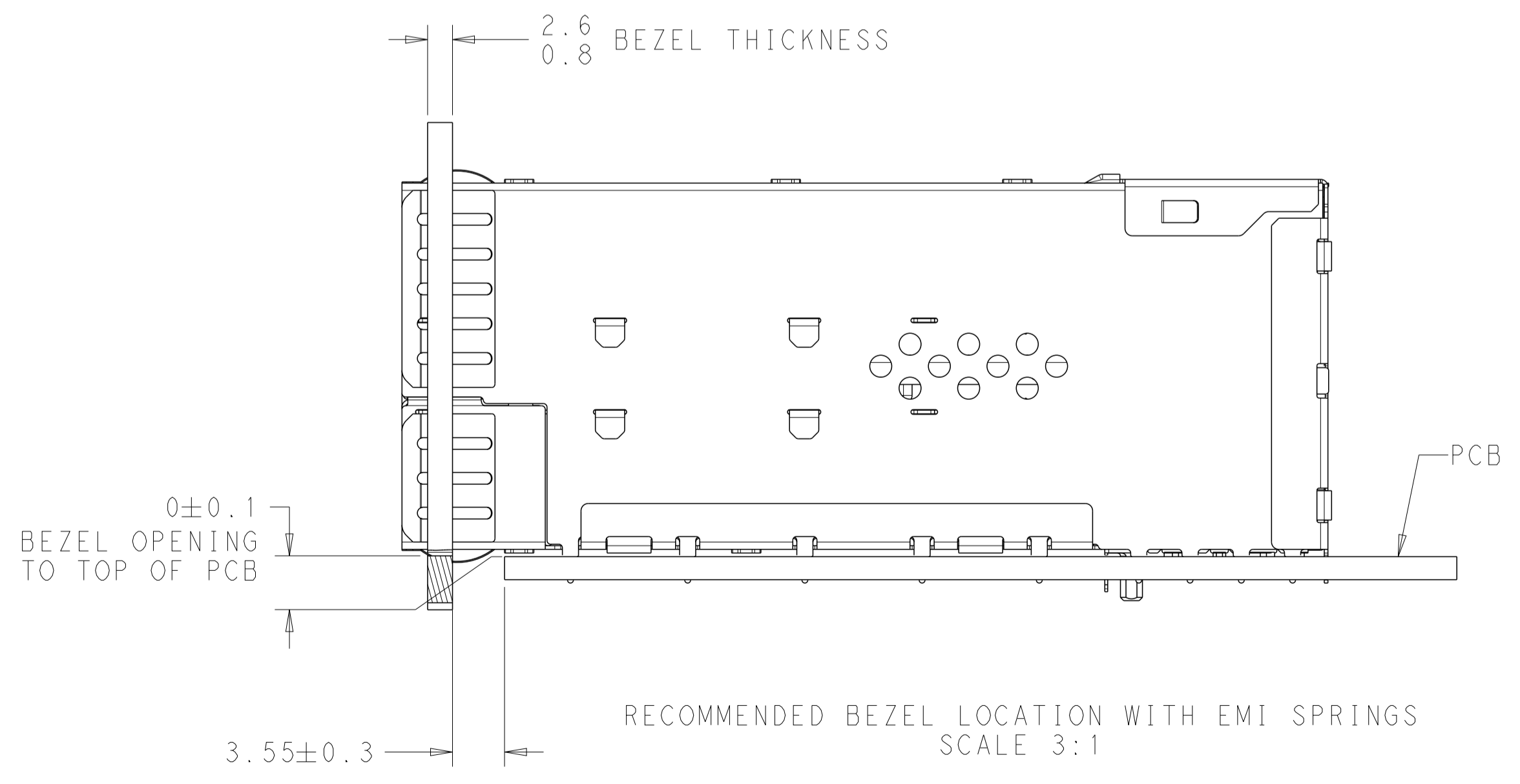
LOC	DIST	REVISIONS			
P	LYN	DESCRIPTION	DATE	DMN	APVD
-	-	SEE SHEET 1	-	-	-



1-2227838-0
 EMI SPRINGS ONLY
 SCALE 3:1

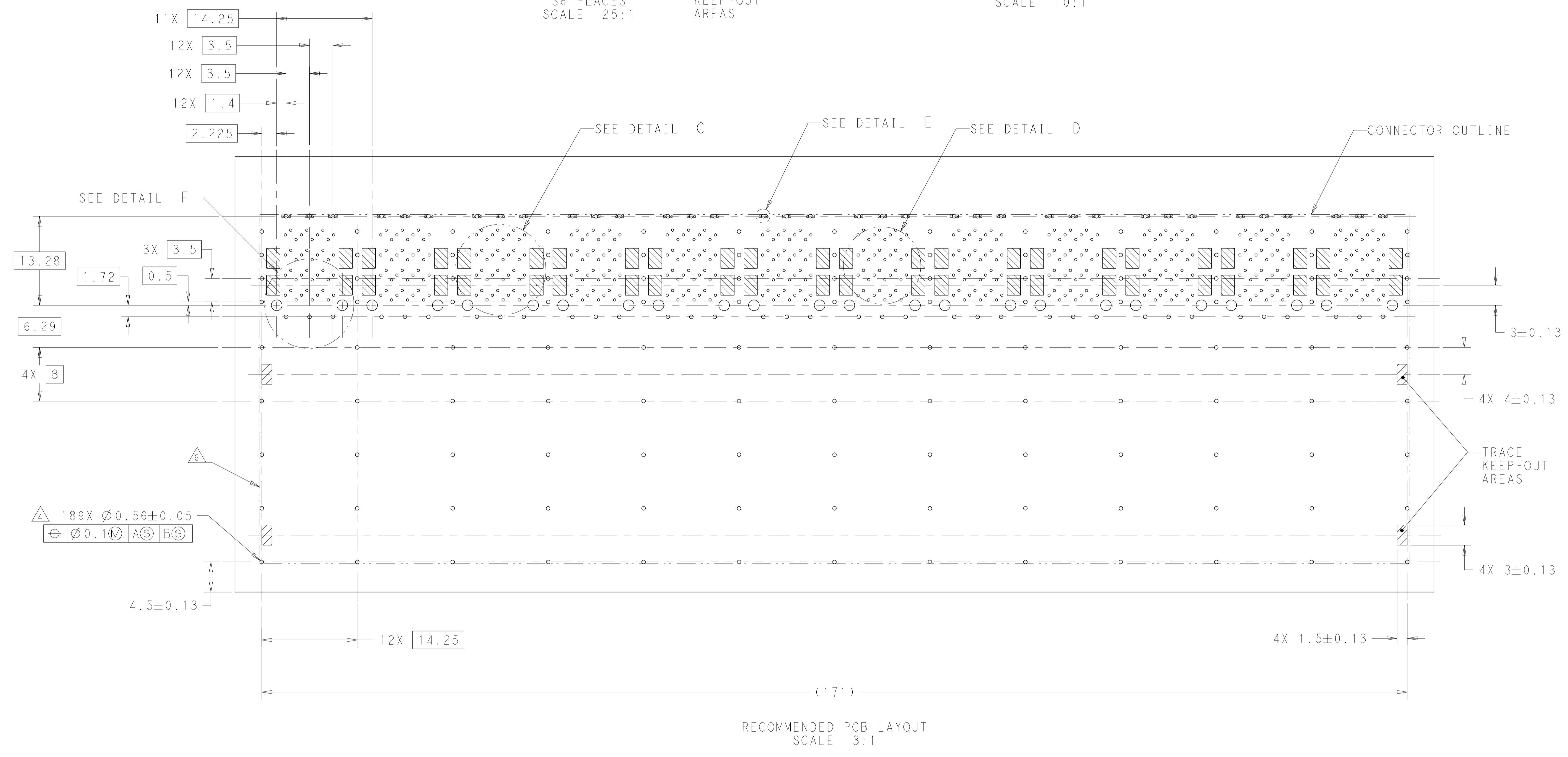
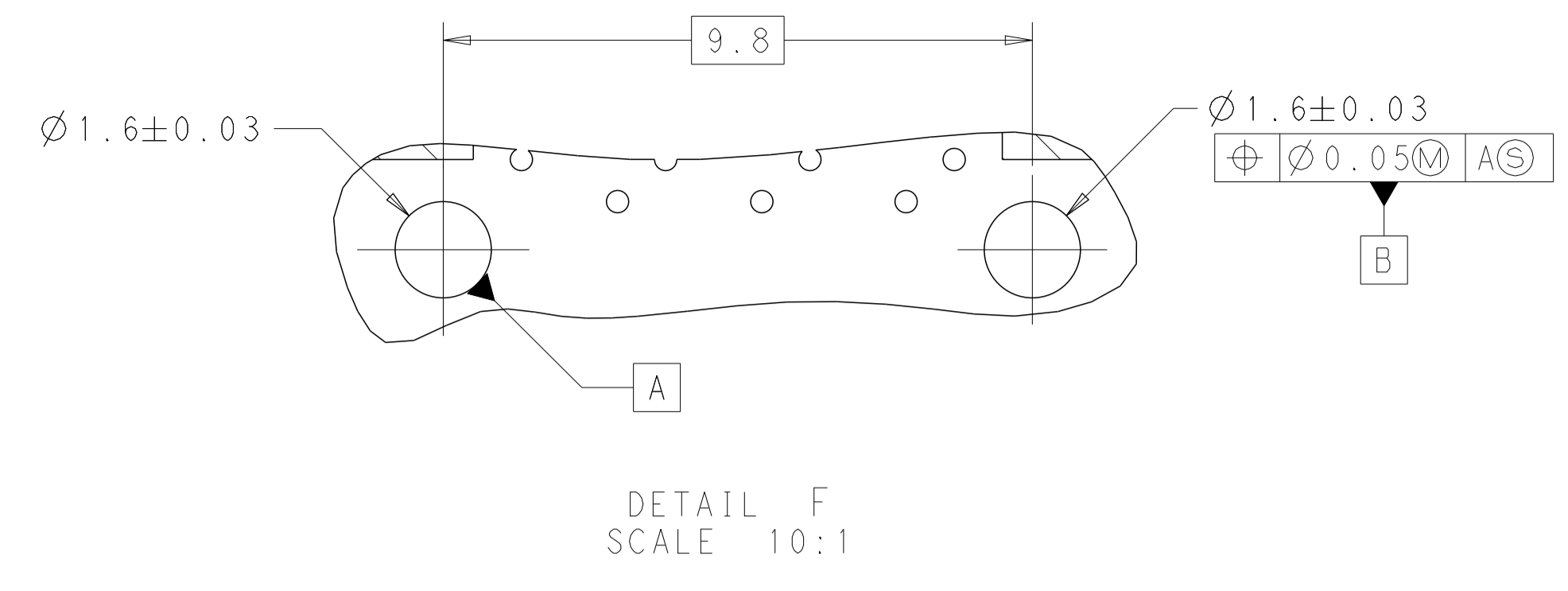
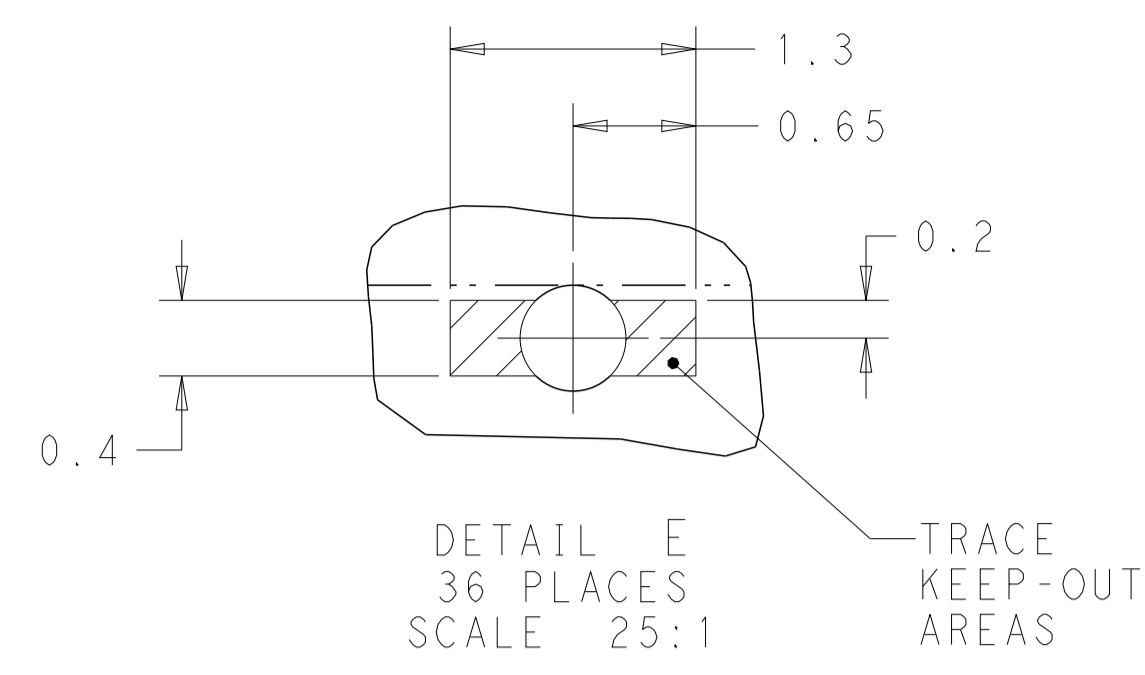


DETAIL A
 SCALE 6:1



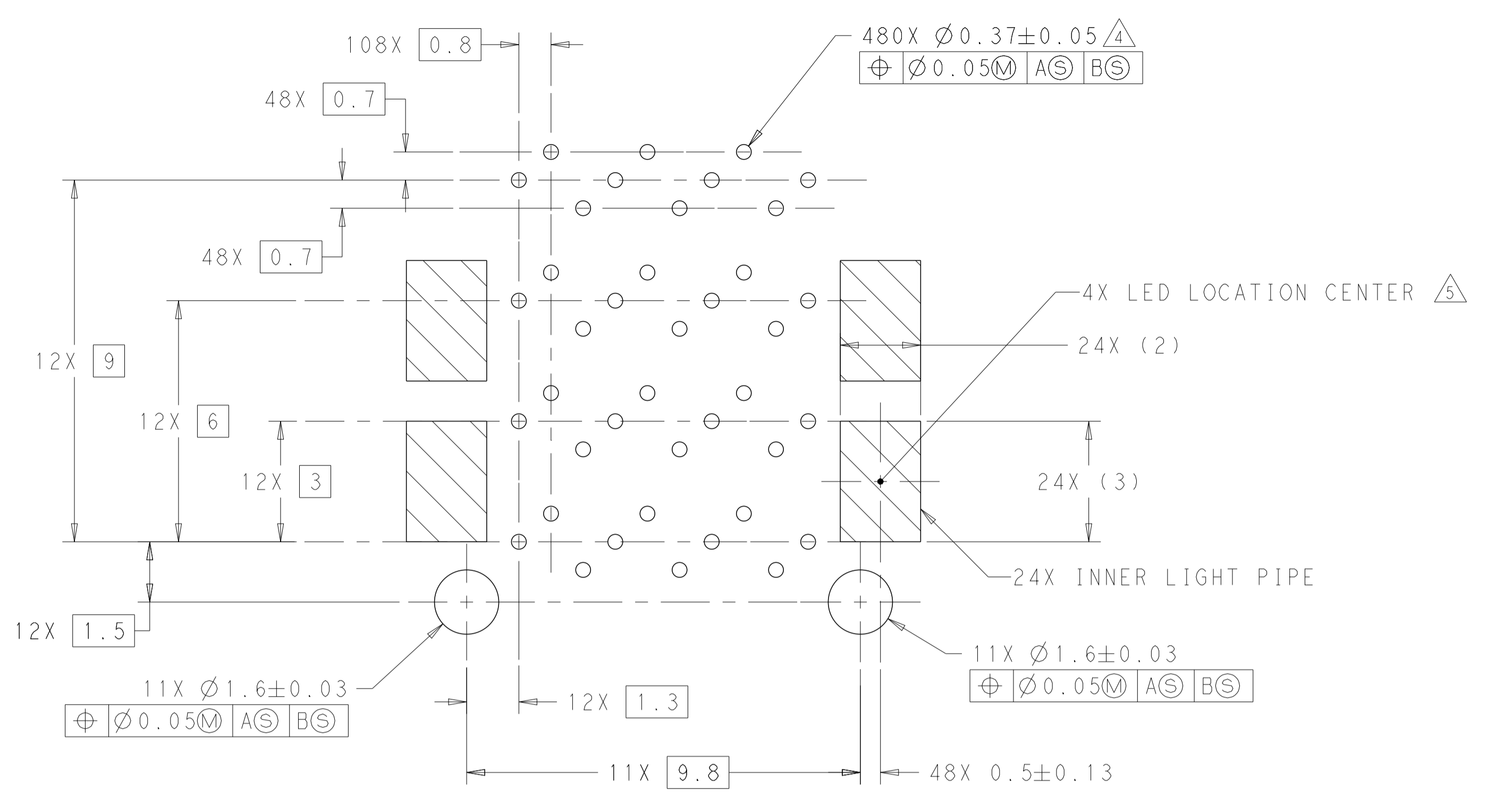
THIS DRAWING IS A CONTROLLED DOCUMENT.		DMN M_SHIRK 26MAR2013	TE Connectivity
DIMENSIONS: mm		CHK M_PHILLIPS 26MAR2013	
TOLERANCES UNLESS OTHERWISE SPECIFIED: 0 PLC ±0.10 1 PLC ±0.10 2 PLC ±0.10 3 PLC ±0.10 4 PLC ± ANGLES ° FINISH		APVD -	NAME
MATERIAL		PRODUCT SPEC 108-2431	RECEPTACLE ASSEMBLY, 2X12, STACKED, zSFP+ THERMALLY ENHANCED
SEE NOTES		APPLICATION SPEC 114-13319	RESTRICTED TO
		WEIGHT -	SIZE CAGE CODE DRAWING NO. A100779C=2227838
		CUSTOMER DRAWING	SCALE 2:1 SHEET 3 OF 5 REV B1

LOC	DIST	REVISIONS					
GP	00	P	LYR	DESCRIPTION	DATE	OWN	APVD
		-	-	SEE SHEET 1	-	-	-

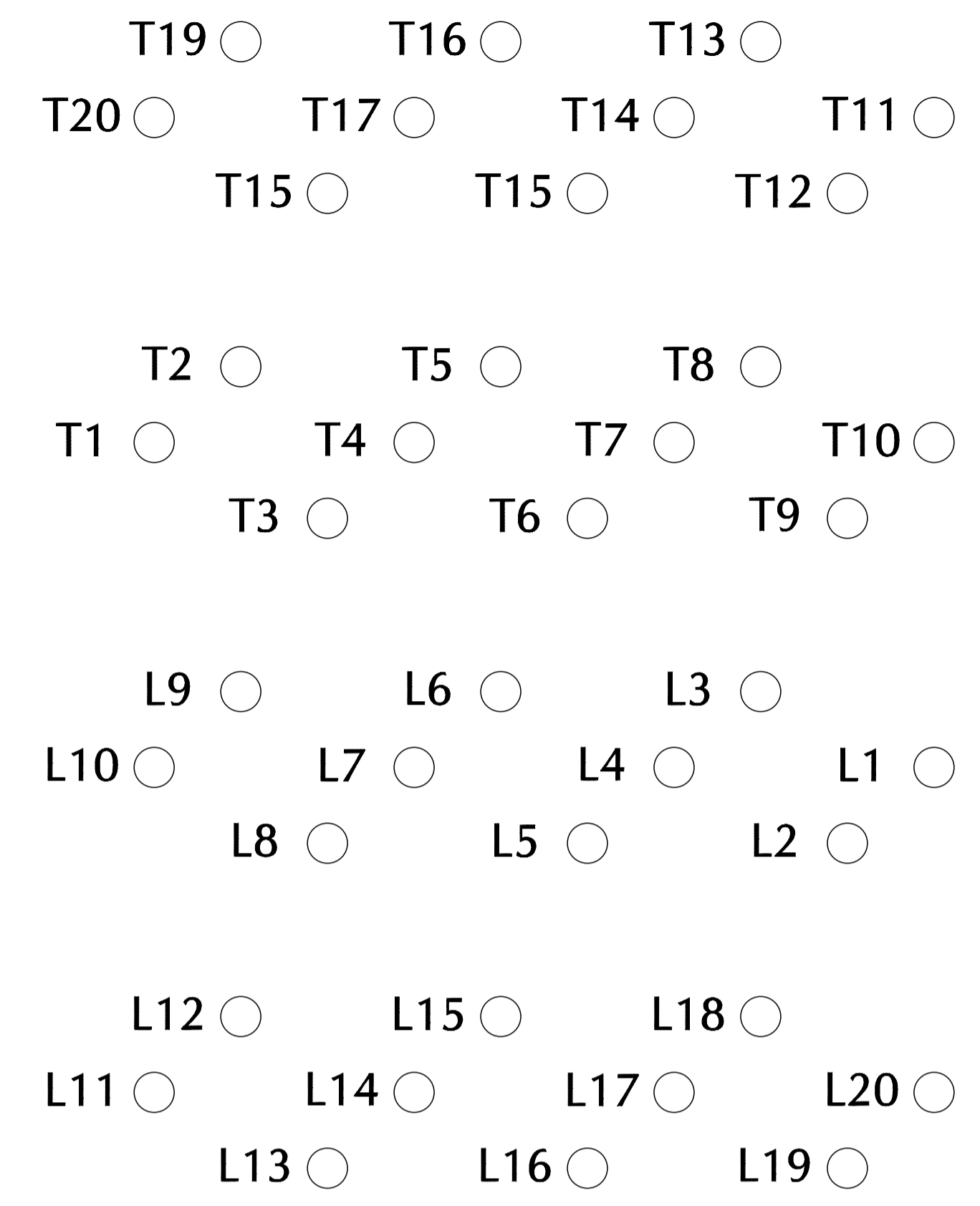


THIS DRAWING IS A CONTROLLED DOCUMENT. DIMENSIONING AND TOLERANCING PER ASME Y14.5M-2009.		OWN: M. SHIRK CHK: M. PHILLIPS APVD: -	26MAR2013 26MAR2013	TE Connectivity RECEPTACLE ASSEMBLY, 2X12, STACKED, zSFP+ THERMALLY ENHANCED
DIMENSIONS: mm	TOLERANCES UNLESS OTHERWISE SPECIFIED:	PRODUCT SPEC: 108-2431	APPLICATION SPEC: 114-13319	
0 PLC ±0.10 1 PLC ±0.10 2 PLC ±0.10 3 PLC ±0.10 4 PLC ±0.10 ANGLES ±° FINISH ±	MATERIAL: - FINISH: - SEE NOTES	WEIGHT: - CUSTOMER DRAWING	SIZE: A1 CAGE CODE: 100779 DRAWING NO: C=2227838	RESTRICTED TO: - SCALE: 2:1 SHEET: 4 OF 5 REV: B1

LOC	DIST	REVISIONS					
GP	00	P	LTN	DESCRIPTION	DATE	DWN	APVD
		-		SEE SHEET 1			

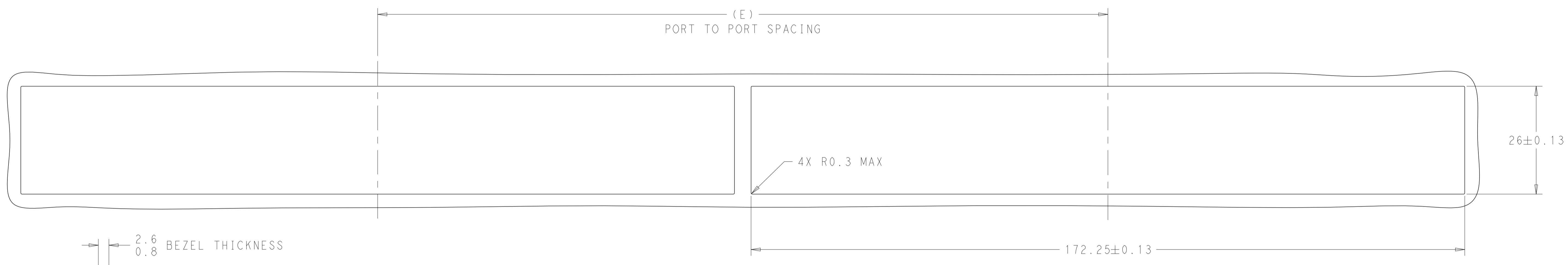


DETAIL C
 RECOMMENDED PIN AND LIGHT PIPE LAYOUT
 SCALE 10:1

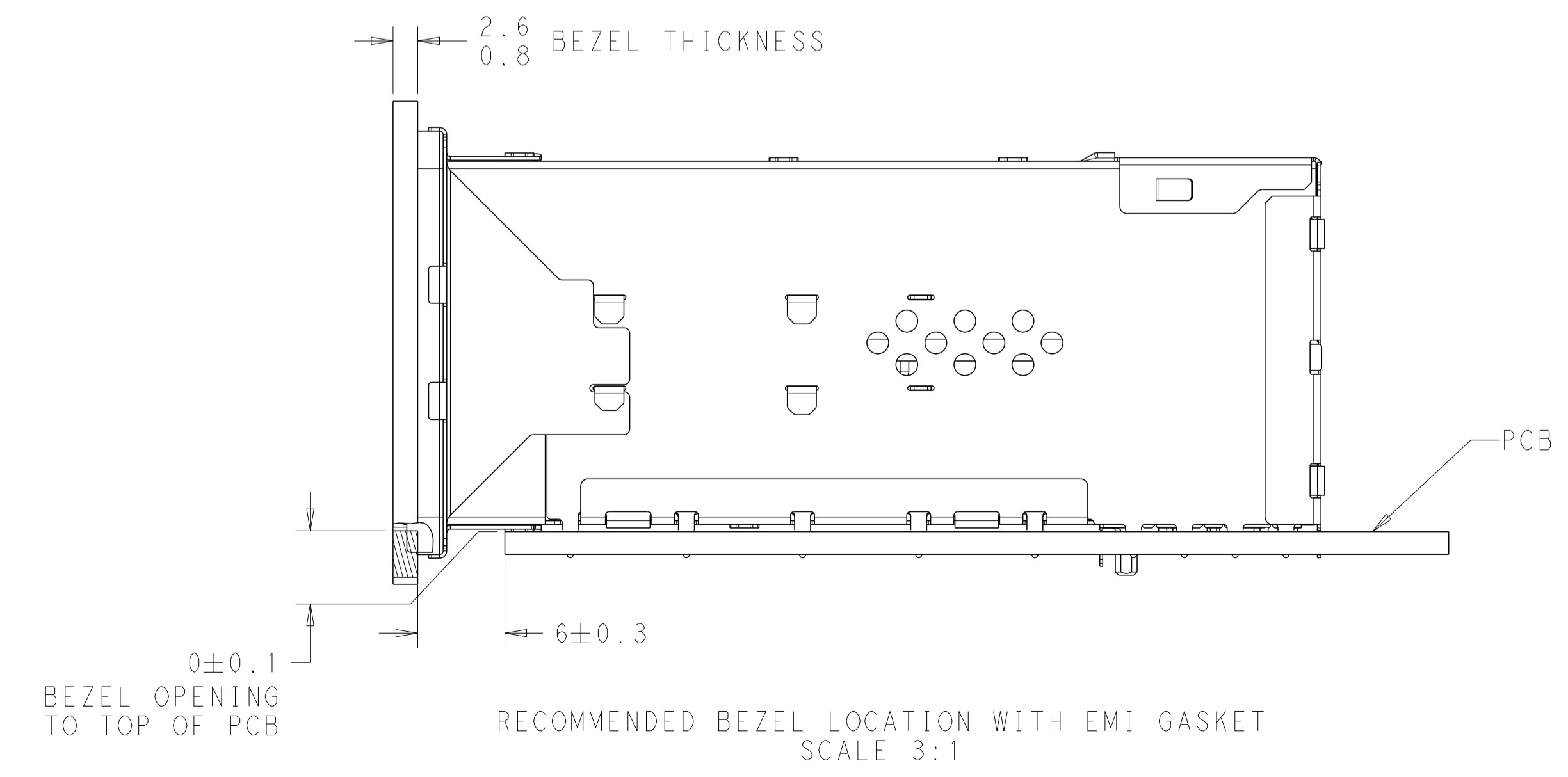


PIN MAP LEGEND	
PIN NUMBER	FUNCTION
L1/T1	VEET
L2/T2	TX-FAULT
L3/T3	TX-DISABLE
L4/T4	SDA
L5/T5	SCL
L6/T6	MOD_ABS
L7/T7	RS0
L8/T8	RX_LOS
L9/T9	RS1
L10/T10	VEER
L11/T11	VEER
L12/T12	RD-
L13/T13	RD+
L14/T14	VEER
L15/T15	VCCR
L16/T16	VCCT
L17/T17	VEET
L18/T18	TD+
L19/T19	TD-
L20/T20	VEET

DETAIL D
 PIN MAP
 12 PLACES
 SCALE 20:1



RECOMMENDED BEZEL CUT OUT DETAIL



RECOMMENDED BEZEL LOCATION WITH EMI GASKET
 SCALE 3:1

THIS DRAWING IS A CONTROLLED DOCUMENT. DIMENSIONING AND TOLERANCING PER ASME Y14.5M-2009		DWN: M. SHIRK 26MAR2013 CHK: M. PHILLIPS 26MAR2013	TE Connectivity	
DIMENSIONS: mm	TOLERANCES UNLESS OTHERWISE SPECIFIED:	APVD: -	NAME: RECEPTACLE ASSEMBLY, 2X12, STACKED, zSFP+ THERMALLY ENHANCED	RESTRICTED TO: -
0 PLC ±0.10	1 PLC ±0.10	PRODUCT SPEC: 108-2431	SIZE: A1	CAGE CODE: 114-13319
2 PLC ±0.10	3 PLC ±0.10	APPLICATION SPEC: -	WEIGHT: -	DRAWING NO: 2227838
4 PLC ±0.10	ANGLES ±°	FINISH: -	MATERIAL: -	SCALE: 2:1
SEE NOTES	SEE NOTES	CUSTOMER DRAWING	SHEET 5 OF 5	REV: B1