

# HEART RATE HAT

SKU:U118



## Description

**HEART RATE HAT** is a blood oxygen heart rate sensor. Integrate **MAX30102** to provide a complete pulse oximeter and heart rate sensor system solution. This is a non-pluggable blood oxygen heart rate sensor. The sensor uses I2C communication interface, internally integrates infrared light-emitting diodes, photodetectors, optical components and low-noise electronic equipment. A certain amount of ambient light suppression function can make the measurement results more accurate. .

**Instructions:** After the program is running, place your finger on the test area with a stable and fixed pressure.

## Product Features

- Heart rate monitor and pulse oximeter sensor
- LED reflective solutions
- Integrated protective glass, sturdy and durable performance
- Programmable sampling rate and LED current
- Fast data output capability
- High sampling rate
- Strong elasticity of motion artifacts
- High signal-to-noise ratio

## Include

- 1x HEART RATE HAT
- 1x Double-sided tape

## Applications

- Wearable device

- Heart rate blood oxygen collector
- Smart Medical

## Specification

Resources	Parameter
Sensor model	MAX30102
Communication protocol	I2C: 0x57
Operating Voltage	3.3V
Net weight	5.1g
Gross weight	12.7g
Product Size	25*24*14mm
Package Size	40*40*30mm
Case Material	Plastic ( PC )

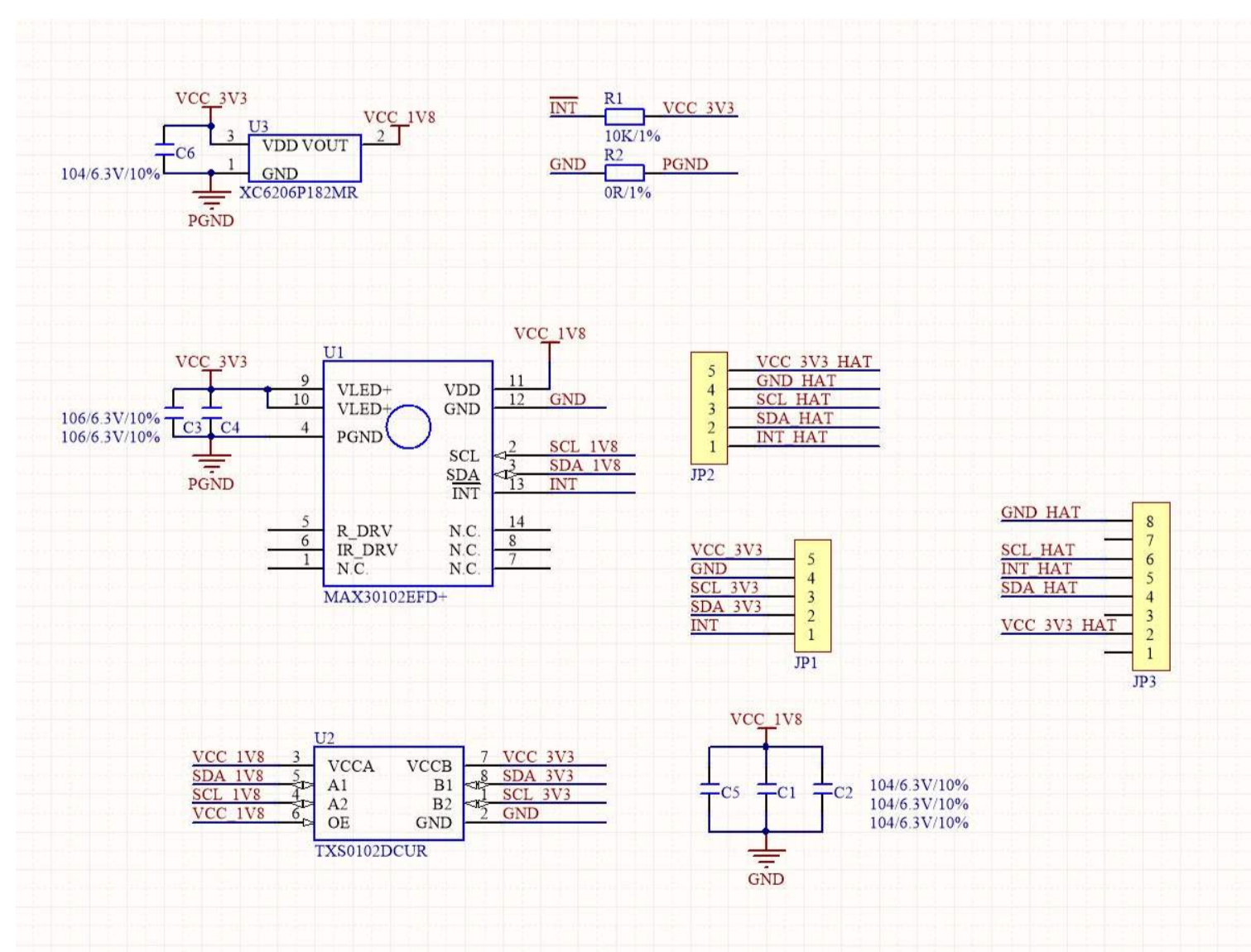
## Related Link

- Datasheet
  - [MAX30102](#)

## PinMap

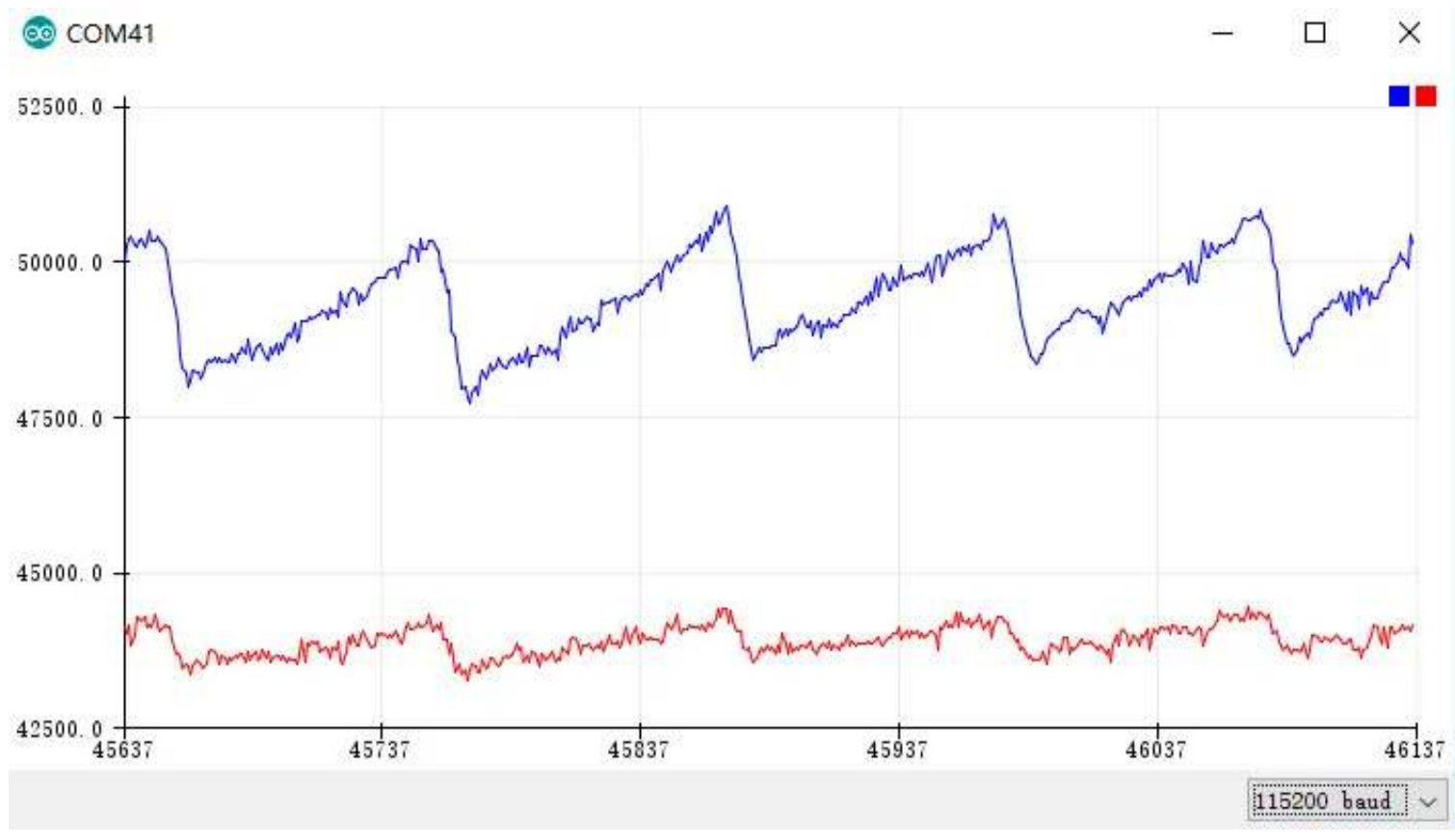
M5StickC	GPIO26	GPIO0	3.3V	GND
HEART RATE HAT	SCL	SDA	3.3V	GND

## Schematic



## Example

Arduino Example Code / M5StickC Plus with HEART RATE HAT



## Video

---