

THIS DRAWING IS UNPUBLISHED. RELEASED FOR PUBLICATION
 © COPYRIGHT - By - ALL RIGHTS RESERVED.

REVISIONS					
P	LTR	DESCRIPTION	DATE	DWN	APVD
	T6	REVISED PER ECR-22-159254	02JAN2023	RB	SM

PHYSICAL PROPERTIES:
 HOUSING MATERIAL: PBT
 FLAMMABILITY: UL94V-0
 COLOR: BLACK
 MAX BOW/WARP: .0056 IN/IN.

MECHANICAL:
 PITCH (TERMINAL SPACING): .563"
 WIRE RANGE: 10-22 AWG
 RECOMMENDED TIGHTENING TORQUE: 14IN-LBS MAX.

TERMINAL:
 TERMINALS: BRASS, TIN PLATED. (UNLESS OTHERWISE STATED)
 SCREWS: 8-32 STEEL, NICKEL PLATED. (UNLESS OTHERWISE STATED)
 Q.C. TABS: BRASS, NICKEL PLATED.

ELECTRICAL PROPERTIES:
 MAXIMUM CURRENT: 30A
 OPERATING VOLTAGE: 300V

ENVIRONMENTAL PROPERTIES:
 OPERATING TEMP RANGE: -40°C TO 120°C

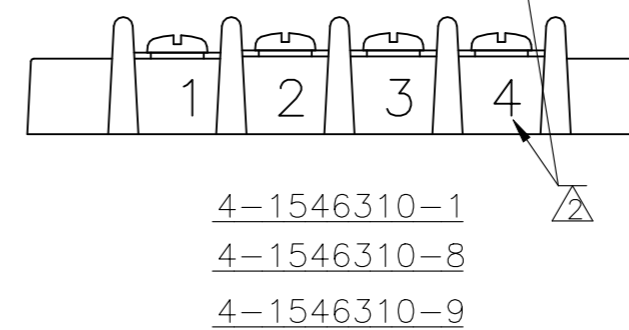
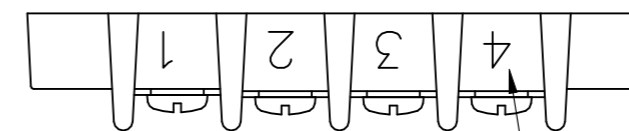
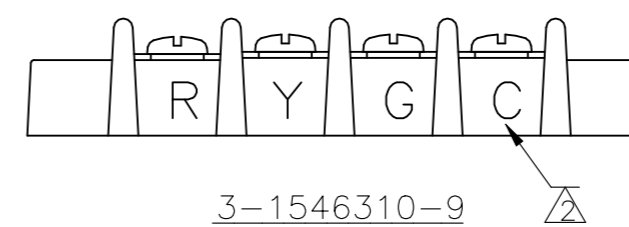
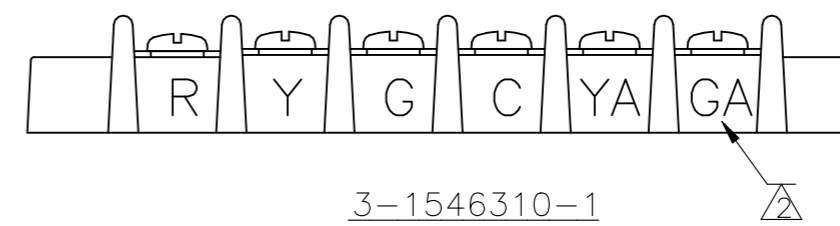
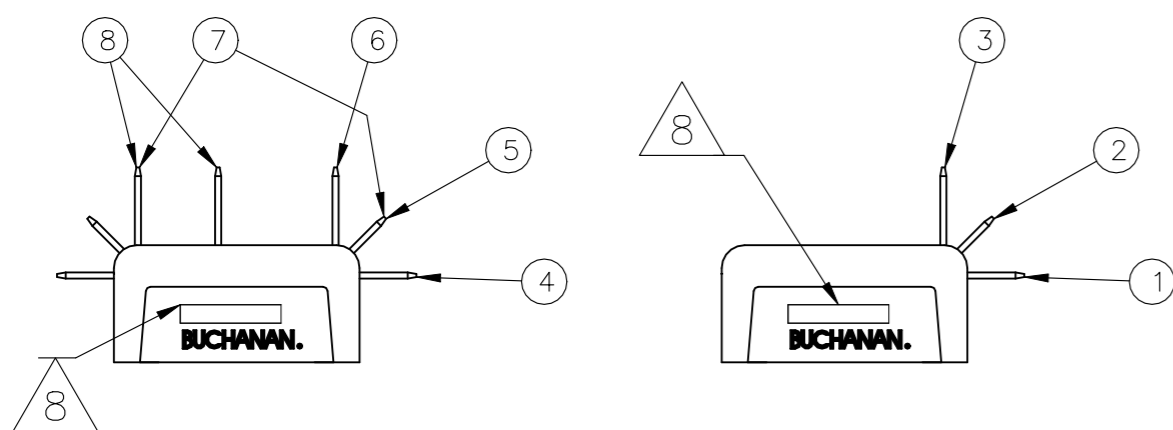
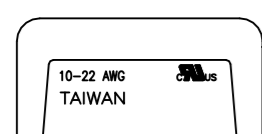
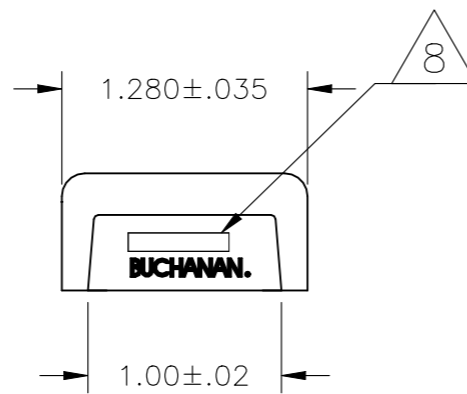
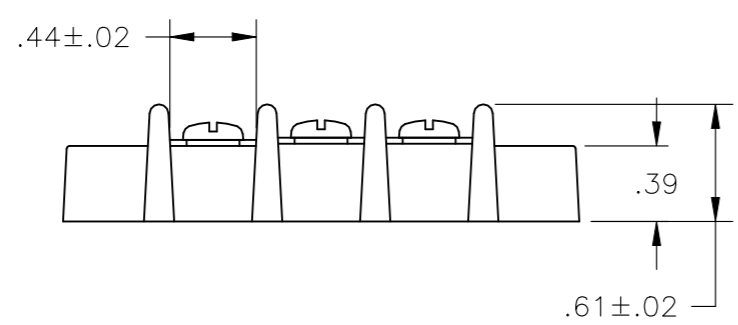
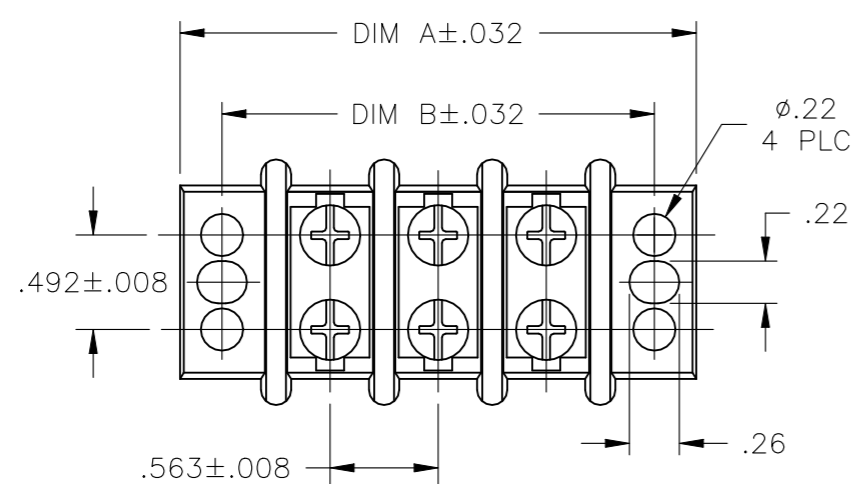
- △ STAINLESS STEEL SCREWS.
- △ WHITE INK STAMP.
- △ NICKEL PLATED BRASS TERMINALS.
- △ NICKEL PLATED BRASS SCREWS.
- △ SEE FIGURE.
- △ PRELIMINARY PART NUMBER.
- △ OBSOLETE PART NUMBER.
- △ TE CONNECTIVITY LOGO LOCATED APPROXIMATE AREA SHOWN.

△6/5	-	-	-	-	-	-	-	-	-	-	7.886	8.323	13	1-1546310-3
△2/7	-	-	-	-	-	-	-	12	12	12	7.323	7.760	12	4-1546310-8
△	-	8	-	-	-	12	12	12	-	-	7.323	7.760	12	4-1546310-7
△	-	-	-	-	12	12	12	-	-	-	7.323	7.760	12	4-1546310-6
	-	-	-	-	-	-	-	-	-	-	7.323	7.760	12	1-1546310-2
	-	-	-	-	-	-	-	-	-	-	6.760	7.179	11	1-1546310-1
	-	-	-	-	-	-	-	-	-	-	6.197	6.634	10	1-1546310-0
	-	-	-	-	-	-	-	-	-	-	5.634	6.071	9	1546310-9
△4/7	-	-	-	-	-	-	-	-	-	8	5.071	5.508	8	4-1546310-5
	-	8	8	-	-	-	-	-	-	-	5.071	5.508	8	2-1546310-9
	-	-	-	-	-	-	-	-	-	-	5.071	5.508	8	1546310-8
△	-	-	-	-	-	-	7	-	-	-	4.508	4.945	7	3-1546310-8
	-	-	-	-	-	-	-	-	-	-	4.508	4.945	7	1546310-7
△4/7	-	-	-	-	-	-	-	-	-	6	3.945	4.382	6	4-1546310-4
△4/7	-	-	-	-	-	-	-	-	-	-	3.945	4.382	6	4-1546310-3
△	-	-	-	-	-	-	-	-	-	6	3.945	4.382	6	4-1546310-2
△5/3/2/1/7	-	-	-	-	-	-	-	-	-	-	3.945	4.382	6	3-1546310-1
	-	-	-	-	-	-	6	-	-	-	3.945	4.382	6	3-1546310-0
	-	6	6	-	-	-	-	-	-	-	3.945	4.382	6	2-1546310-8
△5/4/3/7	-	1	1	-	-	5	1	-	-	-	3.945	4.382	6	2-1546310-6
△1/7	-	-	-	-	-	-	-	6	-	-	3.945	4.382	6	2-1546310-3
△1/7	-	-	-	-	-	6	-	-	-	-	3.945	4.382	6	2-1546310-2
△	-	-	-	-	-	-	-	-	6	6	3.945	4.382	6	2-1546310-1
△5/2/7	-	-	-	-	-	-	-	-	6	6	3.945	4.382	6	1546636-1
△6/1	-	-	-	6	-	-	-	-	6	-	3.945	4.382	6	1-1546310-9
△	-	-	-	6	-	-	-	-	-	-	3.945	4.382	6	1546589-1
	-	-	-	-	-	-	-	-	-	-	3.945	4.382	6	1546310-6
	-	-	-	-	-	5	-	-	-	-	3.382	3.819	5	3-1546310-7
△5/4/3/7	-	1	1	-	-	-	1	-	5	-	3.382	3.819	5	2-1546310-7
	-	-	-	-	-	-	-	-	-	-	3.382	3.819	5	1546310-5
△2/6	-	-	-	-	-	-	-	4	4	4	2.819	3.256	4	5-1546310-0
△5/4/3/2/7	-	-	-	-	-	-	-	-	-	-	2.819	3.256	4	4-1546310-1
△4/4	-	-	-	-	-	-	-	-	-	-	2.819	3.256	4	4-1546310-0
△5/3/2/1/7	-	-	-	-	-	-	-	-	-	-	2.819	3.256	4	3-1546310-9
	-	-	-	-	-	-	-	-	-	-	2.819	3.256	4	1546310-4
△4/3/7	-	-	-	-	-	-	-	-	-	-	2.256	2.693	3	2-1546310-5
△5/1/7	-	-	-	-	-	-	-	3	1	-	2.256	2.693	3	2-1546310-4
OBSOLETE △6/5/1	-	-	-	1	2	-	-	1	-	-	2.256	2.693	3	2-1546310-0
	-	-	-	-	-	-	-	-	-	-	2.256	2.693	3	1546310-3
	-	-	-	-	-	-	-	2	-	-	1.693	2.130	2	5-1546310-1
	-	-	-	-	-	-	-	-	-	-	1.693	2.130	2	1546310-2

NOTES		9	OTB JUMPER	8	.250 QC TAB 90° DOUBLE SIDE	7	.250 QC TAB 90°/45° DOUBLE SIDE	6	.250 QC TAB 90° DOUBLE SIDE	5	.250 QC TAB 45° DOUBLE SIDE	4	.250 QC TAB STRAIGHT DOUBLE SIDE	3	.250 QC TAB 90° SINGLE SIDE	2	.250 QC TAB 45° SINGLE SIDE	1	.250 QC TAB STRAIGHT SINGLE SIDE	DIM B	DIM A	NO. OF POSN	PART NUMBER													
THIS DRAWING IS A CONTROLLED DOCUMENT.																				DWN	S SCHLEGEL	16FEB2007	 TE Connectivity Ltd.		NAME		14.3 (.563) DBL ROW BARRIER STRIP W/O WASHER									
DIMENSIONS: INCHES		TOLERANCES UNLESS OTHERWISE SPECIFIED:		MATERIAL		FINISH		WEIGHT		SCALE		CAGE CODE		DRAWING NO		RESTRICTED TO																				
0 PLC ± -		1 PLC ± -		2 PLC ± -		3 PLC ± -		4 PLC ± -		ANGLES ± -		A2		00779		C=1546310		-																		
-		-		-		-		-		CUSTOMER DRAWING		SCALE		NTS		SHEET 1 OF 4		REV T6																		

THIS DRAWING IS UNPUBLISHED. RELEASED FOR PUBLICATION
 © COPYRIGHT - By - ALL RIGHTS RESERVED.

REVISIONS				
P	LTR	DESCRIPTION	DATE	APVD
-	-	SEE SHEET 1	-	-



△	-	-	-	-	-	-	2	-	2	-	1.693	2.130	-	5-1546310-1								
-	-	-	-	-	-	-	-	-	-	-	10.701	11.138	18	1-1546310-8								
-	-	-	-	-	-	-	-	-	-	-	10.138	10.575	17	1-1546310-7								
-	-	-	-	-	-	-	-	-	-	-	9.575	10.012	16	1-1546310-6								
-	-	-	-	-	-	-	-	-	-	-	9.012	9.449	15	1-1546310-5								
△△△	-	-	-	-	-	-	-	-	14	14	8.449	8.886	14	4-1546310-9								
-	-	-	-	-	-	-	-	-	-	-	8.449	8.886	14	1-1546310-4								
NOTES	9	OTB JUMPER	8	.250 QC TAB 90° DOUBLE SIDE	7	.250 QC TAB 90°/45° DOUBLE SIDE	6	.250 QC TAB 90° DOUBLE SIDE	5	.250 QC TAB 45° DOUBLE SIDE	4	.250 QC TAB STRAIGHT DOUBLE SIDE	3	.250 QC TAB 90° SINGLE SIDE	2	.250 QC TAB 45° SINGLE SIDE	1	.250 QC TAB STRAIGHT SINGLE SIDE	DIM B	DIM A	NO. OF POSN	PART NUMBER

THIS DRAWING IS A CONTROLLED DOCUMENT.

DWN	S SCHLEGEL	16FEB2007
CHK	S YODER	2/16/07
APVD	S YODER	2/16/07
PRODUCT SPEC	-	-
APPLICATION SPEC	-	-
WEIGHT	-	-

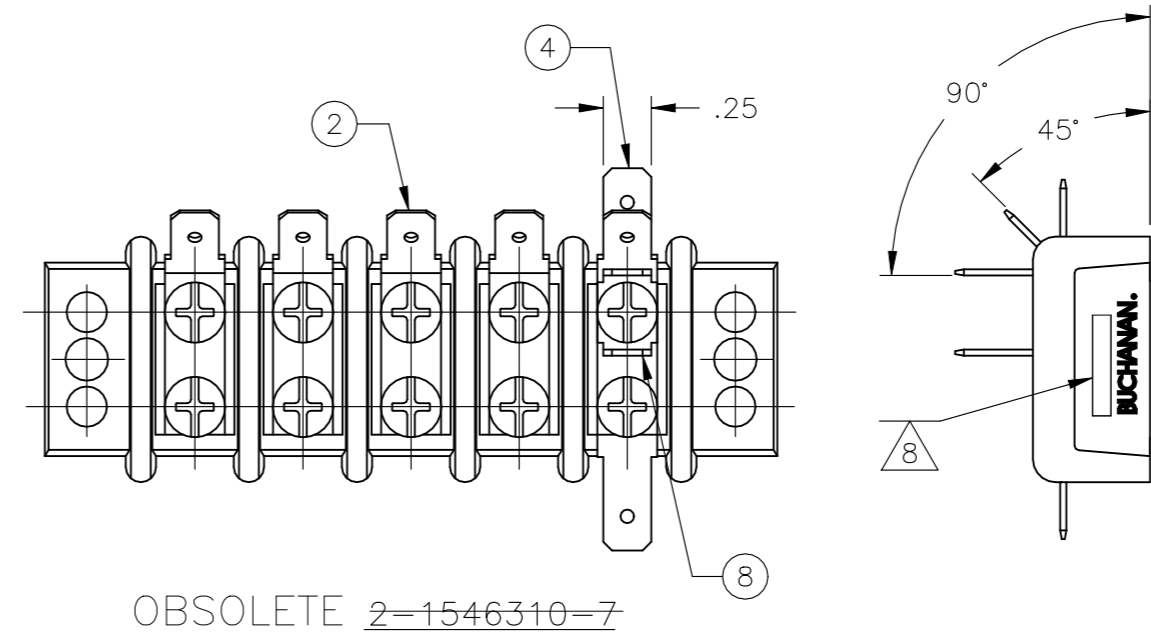
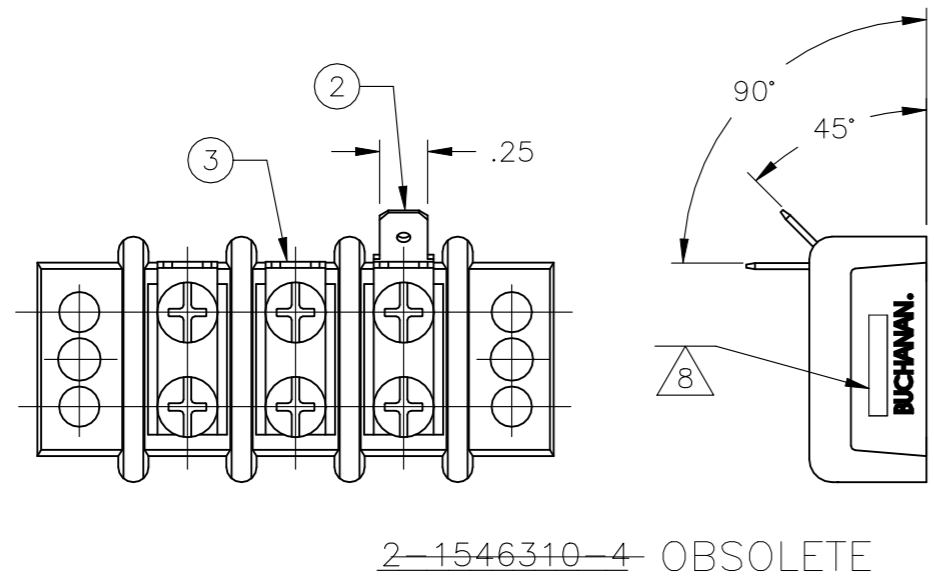
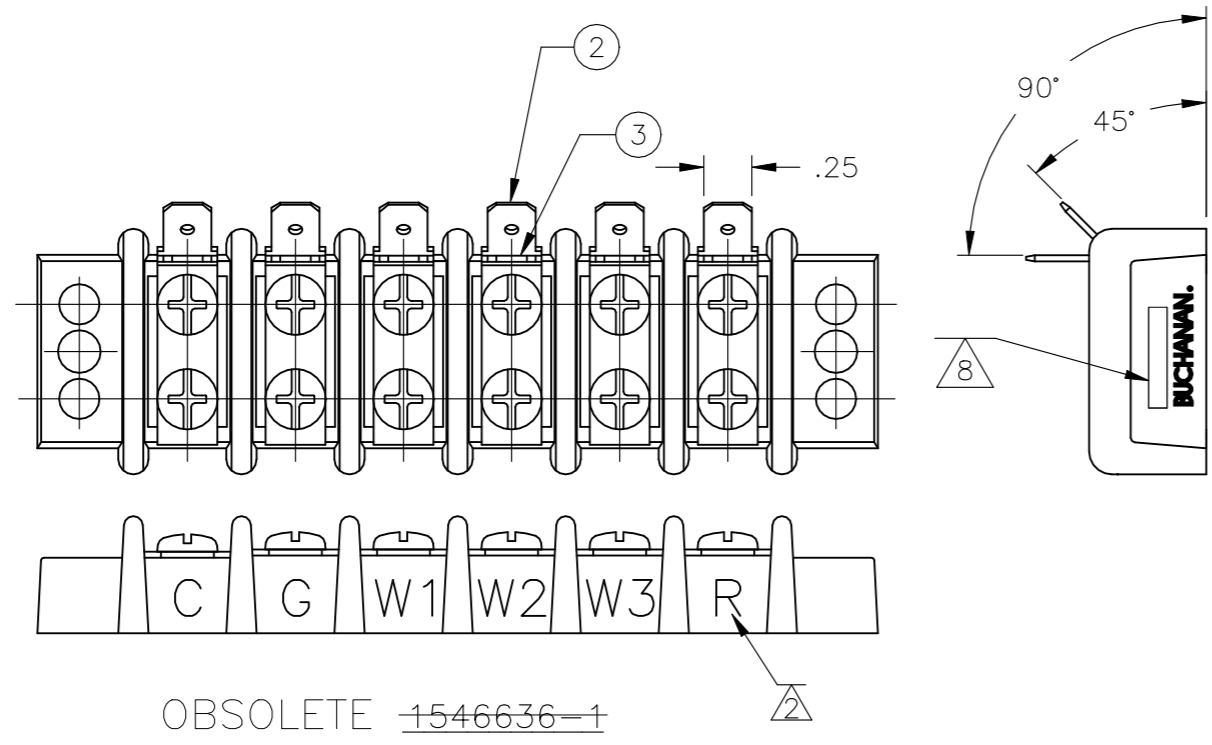
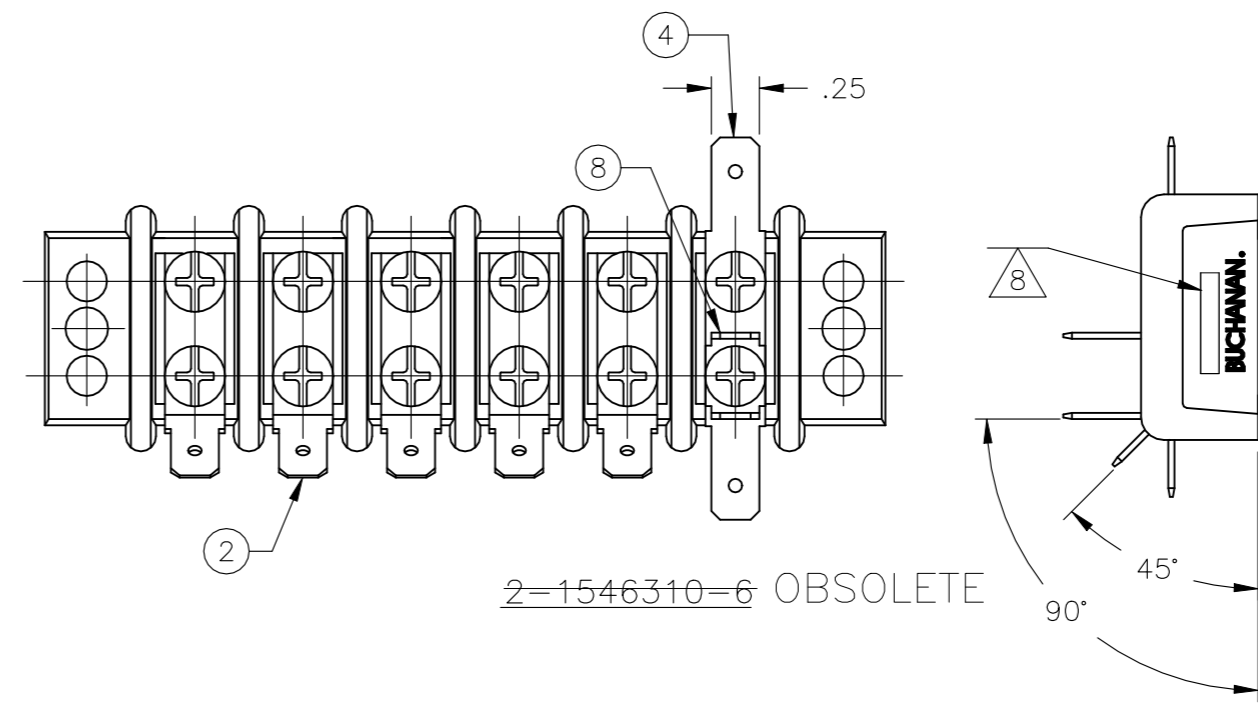
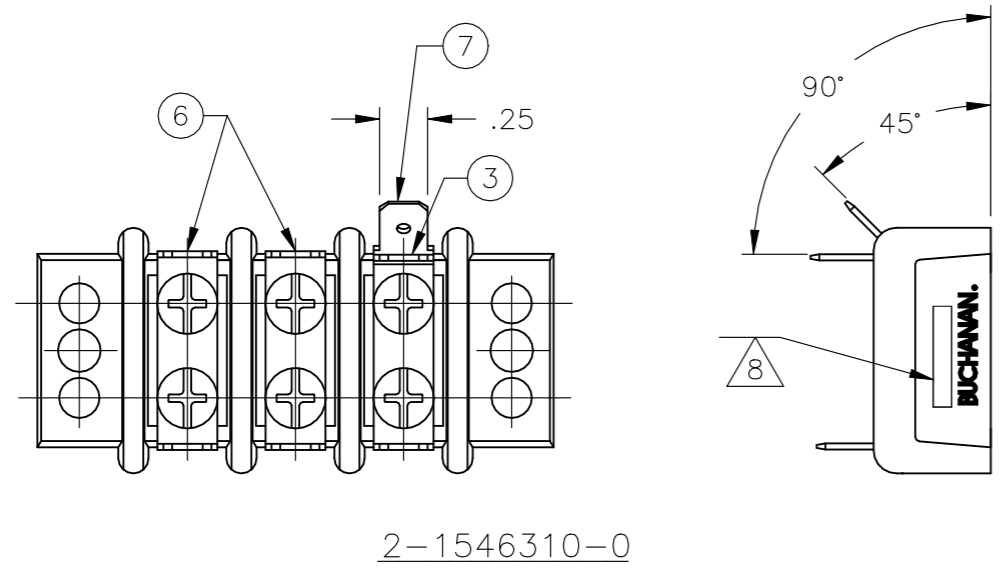
TE Connectivity Ltd.

14.3 (.563) DBL ROW BARRIER STRIP
W/O WASHER

SIZE	A2	CAGE CODE	00779	DRAWING NO	C=1546310	RESTRICTED TO	-
CUSTOMER DRAWING	SCALE	NTS	SHEET	2 of 4	REV	T6	-

THIS DRAWING IS UNPUBLISHED. RELEASED FOR PUBLICATION
 © COPYRIGHT - By - ALL RIGHTS RESERVED.

REVISIONS					
P	LTR	DESCRIPTION	DATE	DWN	APVD
-	-	SEE SHEET 1	-	-	-

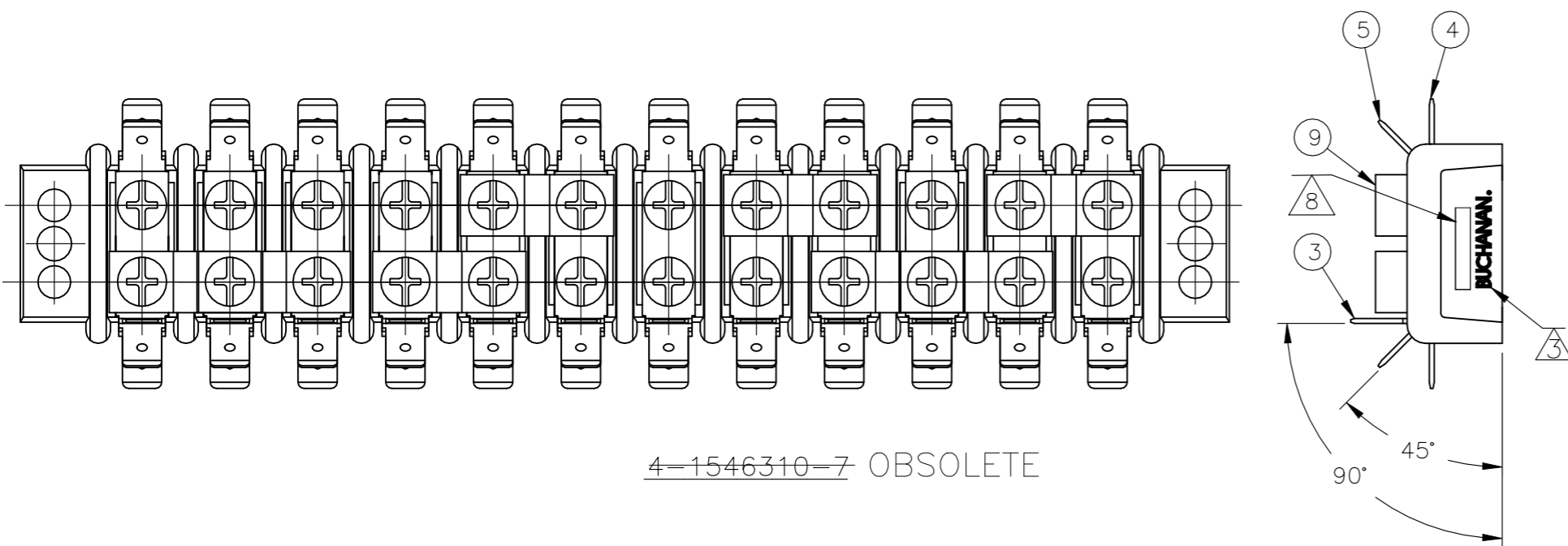


THIS DRAWING IS A CONTROLLED DOCUMENT.		DWN S SCHLEGEL 16FEB2007	TE Connectivity Ltd.	
DIMENSIONS: INCHES		CHK S YODER 2/16/07		
TOLERANCES UNLESS OTHERWISE SPECIFIED:		APVD S YODER 2/16/07	NAME 14.3 (.563) DBL ROW BARRIER STRIP W/O WASHER	
0 PLC ± - 1 PLC ± - 2 PLC ± - 3 PLC ± - 4 PLC ± - ANGLES ± -		PRODUCT SPEC -	SIZE A2	CAGE CODE 00779
MATERIAL -		FINISH -	DRAWING NO C=1546310	RESTRICTED TO -
CUSTOMER DRAWING			SCALE NTS	SHEET 3 OF 4
			REV T6	

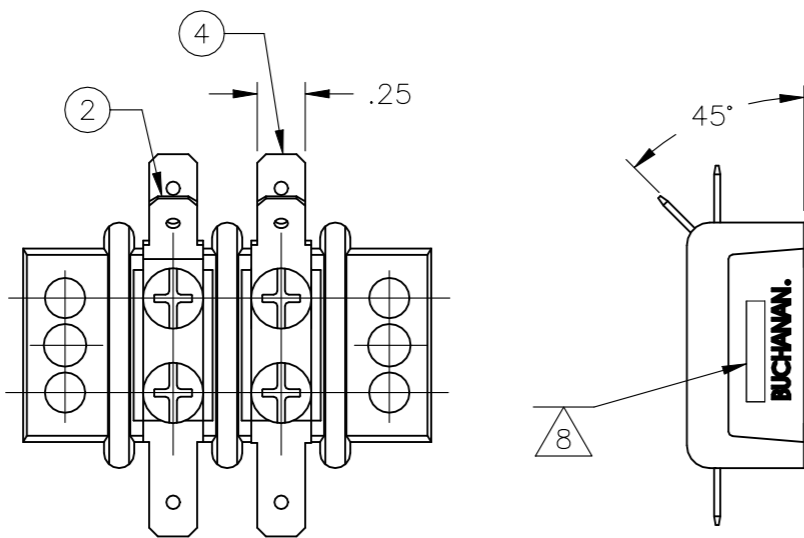
1546310

THIS DRAWING IS UNPUBLISHED. RELEASED FOR PUBLICATION
 © COPYRIGHT - By - ALL RIGHTS RESERVED.

REVISIONS				
P	LTR	DESCRIPTION	DATE	APVD
-	-	SEE SHEET 1	-	-



4-1546310-7 OBSOLETE



5-1546310-1

THIS DRAWING IS A CONTROLLED DOCUMENT.		DWN 16FEB2007 S SCHLEGEL	TE Connectivity Ltd.																			
DIMENSIONS: INCHES		CHK 2/16/07 S YODER																				
TOLERANCES UNLESS OTHERWISE SPECIFIED:		APVD 2/16/07 S YODER	NAME 14.3 (.563) DBL ROW BARRIER STRIP W/O WASHER																			
<table border="0"> <tr><td>0 PLC</td><td>±</td><td>-</td></tr> <tr><td>1 PLC</td><td>±</td><td>-</td></tr> <tr><td>2 PLC</td><td>±</td><td>-</td></tr> <tr><td>3 PLC</td><td>±</td><td>-</td></tr> <tr><td>4 PLC</td><td>±</td><td>-</td></tr> <tr><td>ANGLES</td><td>±</td><td>-</td></tr> </table>		0 PLC	±	-	1 PLC	±	-	2 PLC	±	-	3 PLC	±	-	4 PLC	±	-	ANGLES	±	-	PRODUCT SPEC -	APPLICATION SPEC -	RESTRICTED TO -
0 PLC	±	-																				
1 PLC	±	-																				
2 PLC	±	-																				
3 PLC	±	-																				
4 PLC	±	-																				
ANGLES	±	-																				
MATERIAL -	FINISH -	WEIGHT -	SIZE A2	CAGE CODE 00779																		
CUSTOMER DRAWING			SCALE NTS	SHEET 4 OF 4																		
			REV T6	DRAWING NO C=1546310																		