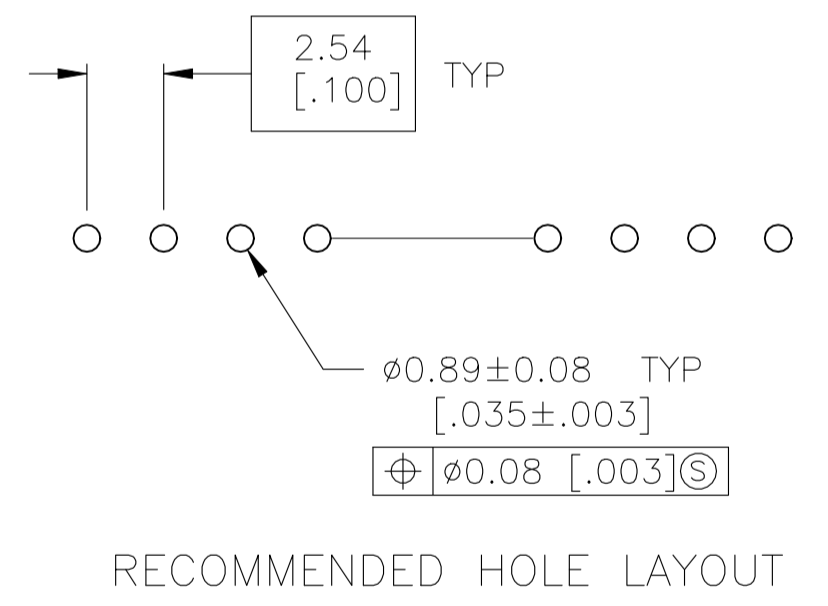
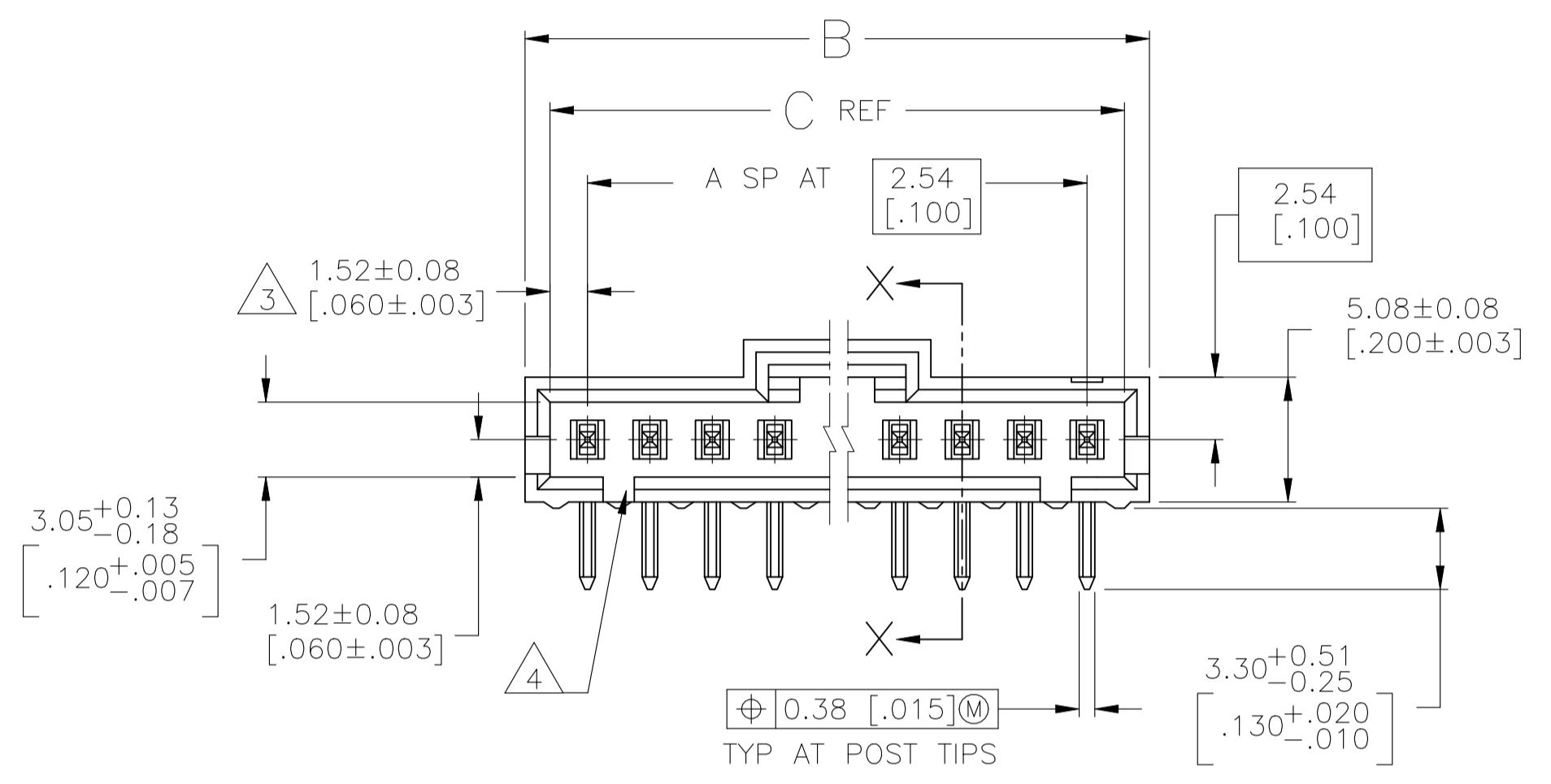
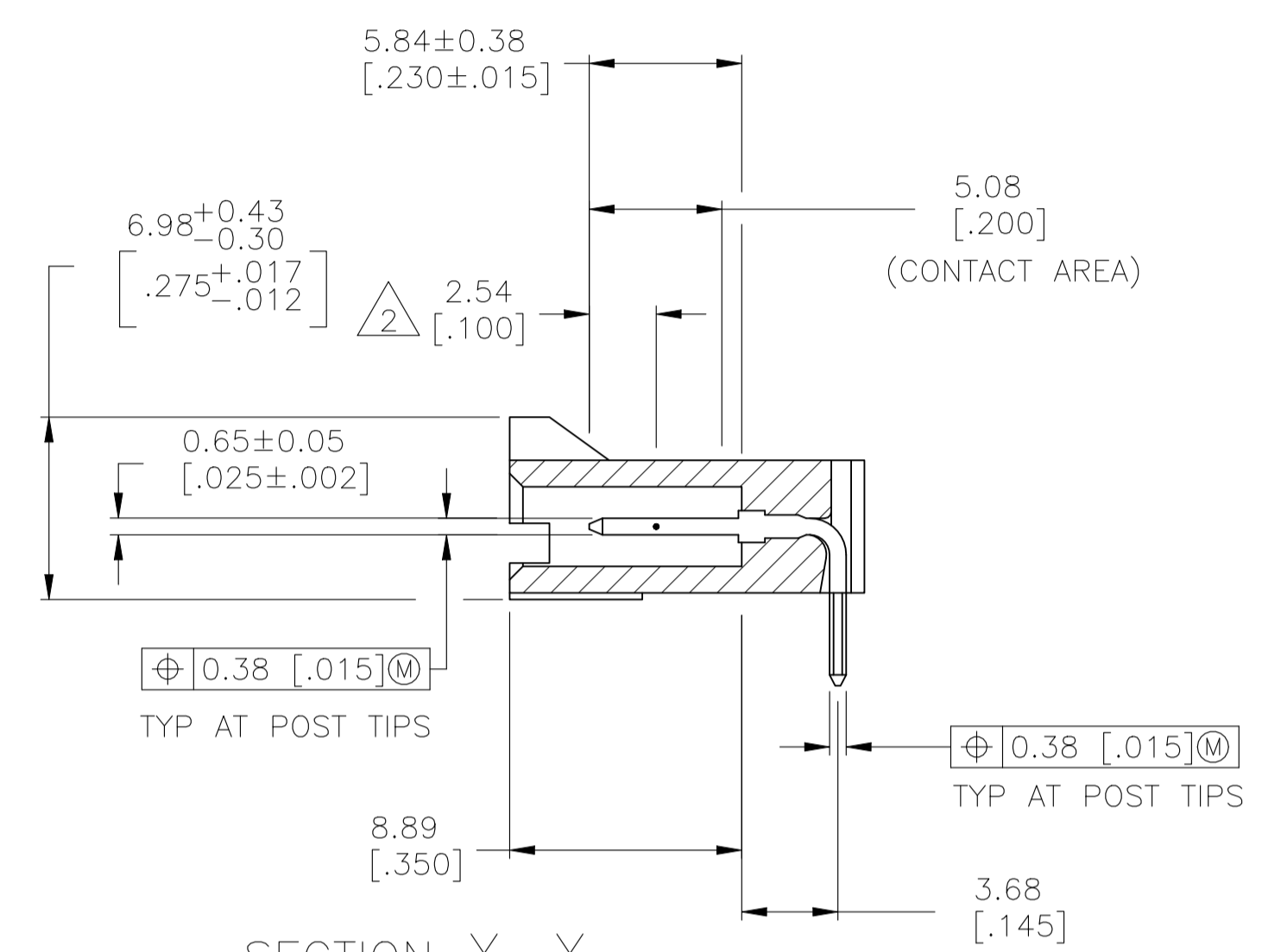
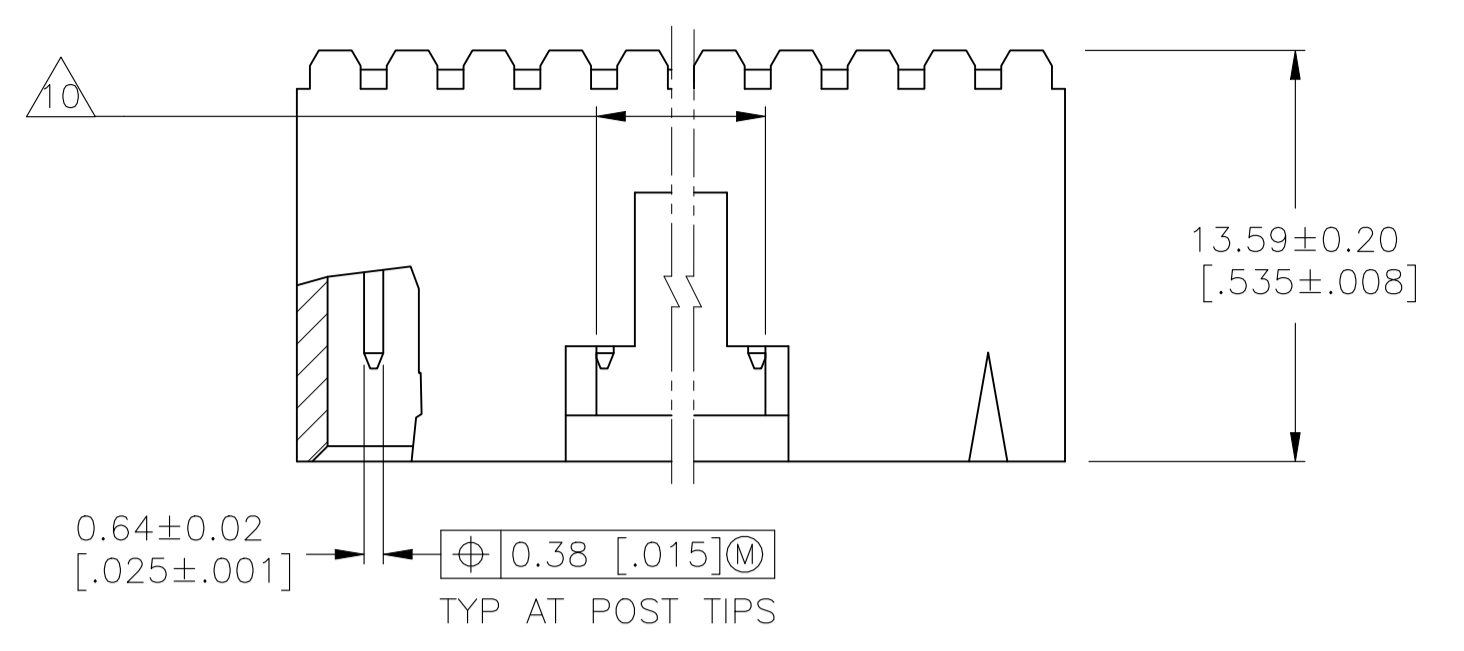


REVISIONS					
REV	DATE	BY	CHKD	APPD	DESCRIPTION
V	08APR2017	BDA	MM		REVIS PER ECO-17-002584
W	29MAY2020	SM	JO		REVIS PER ECO-20-001323

- 1 .000100 BRIGHT TIN-LEAD OVER .000050 NICKEL.
- 2 POINT OF MEASUREMENT FOR PLATING THICKNESS.
- 3 THE NOTED DIMENSIONS APPLY AT THE INTERSECTION OF THE POST AND THE HOUSING.
- 4 ON ASSEMBLIES WITH FOUR OR MORE POSITIONS, TWO POLARIZATION SLOTS. ON ASSEMBLIES WITH TWO OR THREE POSITIONS, ONE POLARIZATION SLOT.
- 5 .000100 BRIGHT TIN OVER .000050 NICKEL.
- 6 PRELIMINARY PART - NOT RELEASED FOR PRODUCTION.
- 7 .000100 MATTE TIN OVER .000050 NICKEL.
- 8 HIGH TEMPERATURE CONFIGURATION
- 9 OBSOLETE PARTS: OBSOLETE CIS STREAMLINING PER D.RENAUD/D.SINISI
- 10 0.25 [.010] RECESS PERMISSIBLE IN THIS AREA FOR MOLD SHUT OFF



REMARKS	PLATING	C	B	A	NO. OF POSN	PART NO.
		64.01 [2.520]	65.91 [2.595]	24	25	7-103634-4
		61.47 [2.420]	63.37 [2.495]	23	24	7-103634-3
		58.93 [2.320]	60.83 [2.395]	22	23	7-103634-2
		56.39 [2.220]	58.29 [2.295]	21	22	7-103634-1
OBSOLETE		53.85 [2.120]	55.75 [2.195]	20	21	7-103634-0
		51.31 [2.020]	53.21 [2.095]	19	20	6-103634-9
		48.77 [1.920]	50.67 [1.995]	18	19	6-103634-8
		46.23 [1.820]	48.13 [1.895]	17	18	6-103634-7
		43.69 [1.720]	45.59 [1.795]	16	17	6-103634-6
		41.15 [1.620]	43.05 [1.695]	15	16	6-103634-5
		38.61 [1.520]	40.51 [1.595]	14	15	6-103634-4
		36.07 [1.420]	37.97 [1.495]	13	14	6-103634-3
		33.53 [1.320]	35.43 [1.395]	12	13	6-103634-2
		30.99 [1.220]	32.89 [1.295]	11	12	6-103634-1
		28.45 [1.120]	30.35 [1.195]	10	11	6-103634-0
		25.91 [1.020]	27.81 [1.095]	9	10	5-103634-9
		23.37 [0.920]	25.27 [0.995]	8	9	5-103634-8
		20.83 [0.820]	22.73 [0.895]	7	8	5-103634-7
		18.29 [0.720]	20.19 [0.795]	6	7	5-103634-6
		15.75 [0.620]	17.65 [0.695]	5	6	5-103634-5
		13.21 [0.520]	15.11 [0.595]	4	5	5-103634-4
		10.67 [0.420]	12.57 [0.495]	3	4	5-103634-3
		8.13 [0.320]	10.03 [0.395]	2	3	5-103634-2
		5.59 [0.220]	7.49 [0.295]	1	2	5-103634-1

9 SUPERCEDED BY 7-103634-4

OBSOLETE

9 SUPERCEDED BY 6-103634-6

REMARK	PLATING	C	B	A	NO. OF POSN	PART NO.
		30.99 [1.220]	32.89 [1.295]	11	12	3-103634-4
		25.91 [1.020]	27.81 [1.095]	9	10	3-103634-3
		23.37 [0.920]	25.27 [0.995]	8	9	3-103634-2
		18.29 [0.720]	20.19 [0.795]	6	7	3-103634-1
		15.75 [0.620]	17.65 [0.695]	5	6	3-103634-0
		5.59 [0.220]	7.49 [0.295]	1	2	2-103634-9
		41.15 [1.620]	43.05 [1.695]	15	16	2-103634-8
		13.21 [0.520]	15.11 [0.595]	4	5	2-103634-7
		10.67 [0.420]	12.57 [0.495]	3	4	2-103634-6
		8.13 [0.320]	10.03 [0.395]	2	3	2-103634-5
		64.01 [2.520]	65.91 [2.595]	24	25	2-103634-4
		61.47 [2.420]	63.37 [2.495]	23	24	2-103634-3
		58.93 [2.320]	60.83 [2.395]	22	23	2-103634-2
		56.39 [2.220]	58.29 [2.295]	21	22	2-103634-1
		53.85 [2.120]	55.75 [2.195]	20	21	2-103634-0
		51.31 [2.020]	53.21 [2.095]	19	20	1-103634-9
		48.77 [1.920]	50.67 [1.995]	18	19	1-103634-8
		46.23 [1.820]	48.13 [1.895]	17	18	1-103634-7
		43.69 [1.720]	45.59 [1.795]	16	17	1-103634-6
		41.15 [1.620]	43.05 [1.695]	15	16	1-103634-5
		38.61 [1.520]	40.51 [1.595]	14	15	1-103634-4
		36.07 [1.420]	37.97 [1.495]	13	14	1-103634-3
		33.53 [1.320]	35.43 [1.395]	12	13	1-103634-2
		30.99 [1.220]	32.89 [1.295]	11	12	1-103634-1
		28.45 [1.120]	30.35 [1.195]	10	11	1-103634-0
		25.91 [1.020]	27.81 [1.095]	9	10	103634-9
		23.37 [0.920]	25.27 [0.995]	8	9	103634-8
		20.83 [0.820]	22.73 [0.895]	7	8	103634-7
		18.29 [0.720]	20.19 [0.795]	6	7	103634-6
		15.75 [0.620]	17.65 [0.695]	5	6	103634-5
		13.21 [0.520]	15.11 [0.595]	4	5	103634-4
		10.67 [0.420]	12.57 [0.495]	3	4	103634-3
		8.13 [0.320]	10.03 [0.395]	2	3	103634-2
		5.59 [0.220]	7.49 [0.295]	1	2	103634-1

THIS DRAWING IS A CONTROLLED DOCUMENT.

DIN S. SHUEY 3-5-91  
 CHK: I. CASTAGNA 3-27-91  
 APVD: I. CASTAGNA 3-27-91

DIMENSIONS: mm [INCHES]

TOLERANCES UNLESS OTHERWISE SPECIFIED:  
 0. PLC ± -  
 1. PLC ± -  
 2. PLC ± -  
 3. PLC ± -  
 4. PLC ± -  
 ANGLES ± -

MATERIAL: HOUSING: FLAME RETARDANT  
 LCP; COLOR: BLACK  
 CONTACTS: BRASS

FINISH: SEE TABLE

WEIGHT: -

CUSTOMER DRAWING

TE Connectivity

HDRASSY, RTANGLE, SINGLEROW,  
 2.54[.100]C/L0.64[.025]SOPST,  
 WITH PLZ&LATCHING, AMPMODUMTE

SIZE: A1  
 CAGE CODE: 00779  
 DRAWING NO: 108-25034  
 RESTRICTED TO: 103634

SCALE: 4:1 SHEET 1 OF 1 REV W