

**Ratings**

Voltage: 150 V  
 Temperature: -40~70 °C

**Conductor**

Conductor count: 4  
 Gauge: 30 AWG 0.05 mm<sup>2</sup>  
 Material: tinned copper strands  
 Strand size:  $\phi$ 0.05x25  
 Resistance at 20 °C: 385  $\Omega$ /km max

**Insulator**

Material: HDPE  
 Color: yellow, white, black, red  
 Diameter:  $\phi$ 0.65  $\pm$ 0.10 mm  
 Nominal thickness: 0.18 mm  
 Resistance at 20 °C: 100 M $\Omega$ /km min

**Wrap**

Material: cotton paper

**Filler**

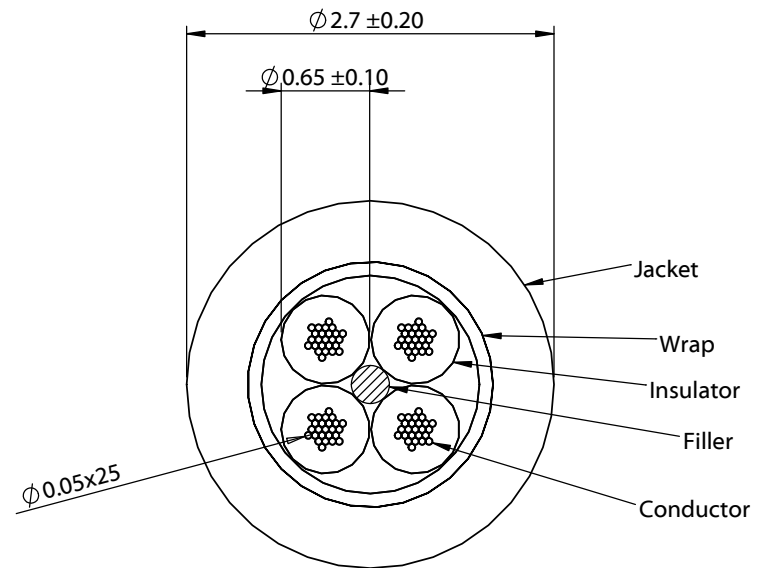
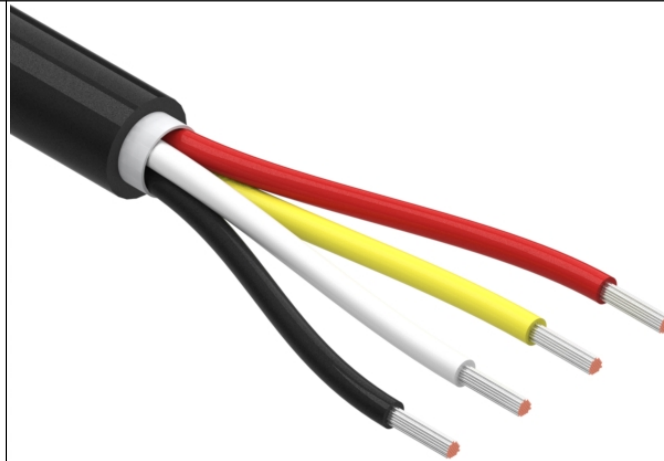
Material: aramid fiber

**Outer jacket**

Material: TPU  
 Color: black  
 Diameter:  $\phi$ 2.7  $\pm$ 0.20 mm  
 Nominal thickness: 0.50 mm

**Tests**

Tensile strength: 15 kgf min  
 Dielectric test: 1500 V dc for 1 minute without breakdown  
 Bend test at 200 g,  $\pm$ 60 °, 30 cycles /min: 15,000 cycle minimum



Revision:	Date:	Description:
A	8/30/2022	Initial release

Prepared: **MP**  
Digitally signed by MP  
 Date: 2022.12.02  
 07:31:19 -08'00'

Verified: **PB**  
Digitally signed by PB  
 Date: 2022.12.02  
 12:50:56 -08'00'

Dimensions are in millimeters.  
 Tolerances:  
 X:  $\pm$  0.5 mm  
 X.X:  $\pm$  0.3 mm  
 X.XX:  $\pm$  0.05 mm

Notes:  
 RoHS compliant  
 Jacket meets ISO 10993 Biological Compatibility  
 Phthalate and halogen free  
 Function test: no open, no short, no intermittent

Description:  
 Wire, 4C TS, 30 AWG, 150V, 70C, 2.7 mm, TPU, 75A, WBL

**TENSILITY**  
 tel 1.541.323.3228 800 877.670.7118  
 fax 1.541.323.4202 web tensility.com

Size: A	Part number: 30-02652
---------	-----------------------

Scale: 18:1		Sheet 1 of 1
-------------	--	--------------