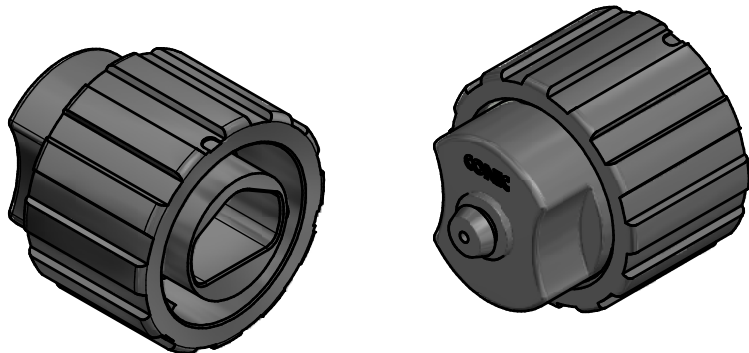
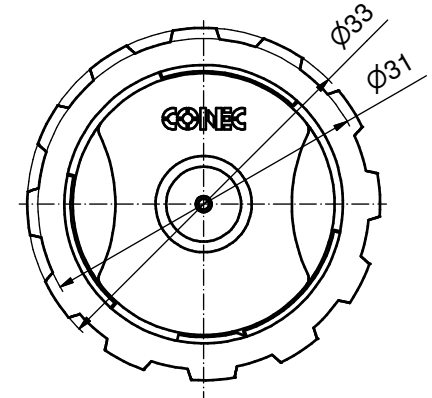
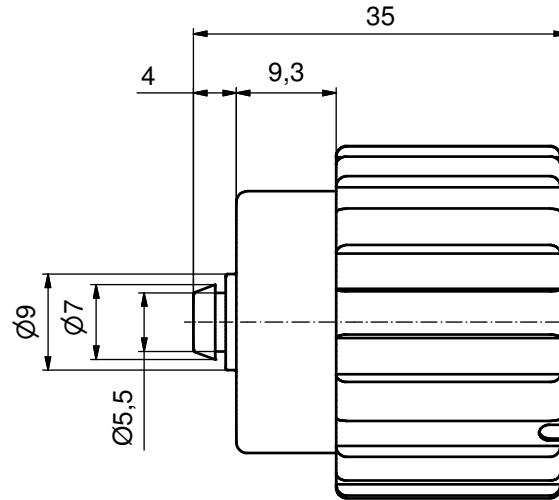
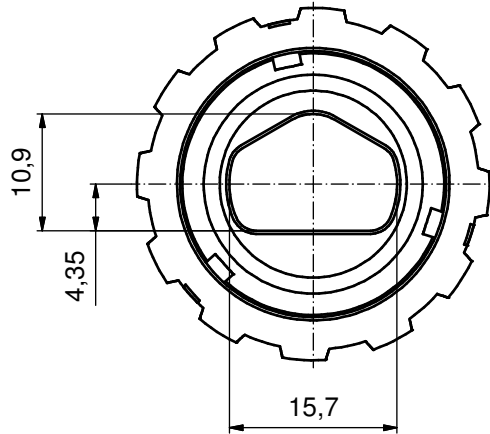
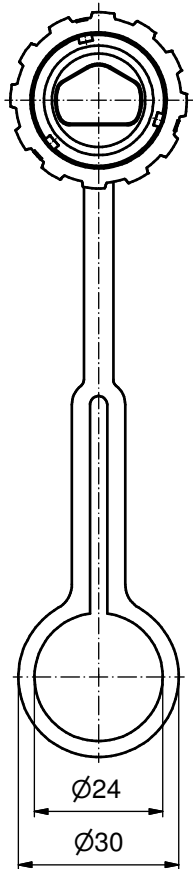


VIEWS WITHOUT TETHER



NOTES:

- MATERIAL AND FINISH:
 - COUPLER RING: PA GF (BLACK); UL94 V-0; UL (f1) RATED
 - COVER HOUSING: PA GF (BLACK); UL94 V-0; UL (f1) RATED
 - TETHER: PE-SW (BLACK),
 - INTERFACIAL SEAL: SILICONE; COLOR: WHITE
 - RETAINING RING: STAINLESS STEEL
- OPERATING TEMPERATURE: -40 °C to +85 °C
- IP67 RATED WHEN COVERED OR FULLY MATED WITH THE APPROPRIATE MATING CONNECTOR

RoHS compliant

THIS DRAWING MAY NOT BE COPIED OR REPRODUCED IN ANY WAY, AND MAY NOT BE PASSED ON TO A THIRD PARTY WITHOUT WRITTEN PERMISSION. OWNERSHIP AND COPYRIGHT OF CONEC GmbH DO NOT ALTER CAD DRAWING BY HAND			dim. in mm		scale: 2:1 material: see notes
			date	name	title: (b) Protective Cover for IP67 Duplex Power 2pos Female Cable Assembly
			drawn 04.10.13	Schmidt	
			appd. 04.10.13	Strakerjahn	dwg no: 17K1A427
			norm		
		d-old		DIN-A3 sh: 1	
1 x b	Ä6182	06.06.2016	K.H.	part no: 17-400210	
a	Original				
rev.	description	date	name	