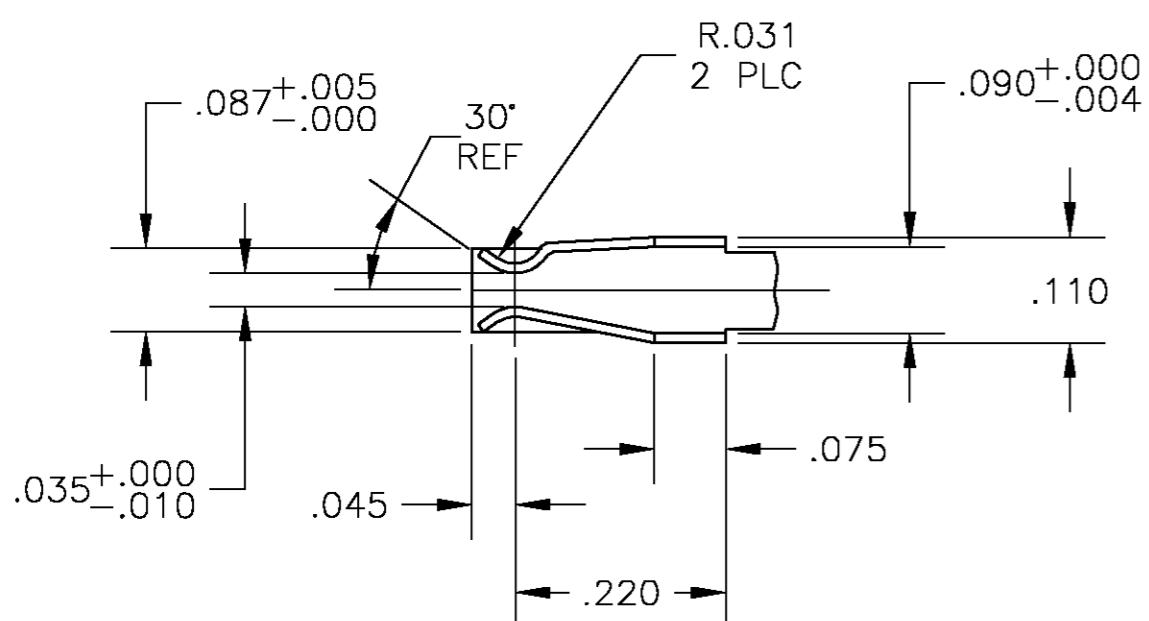
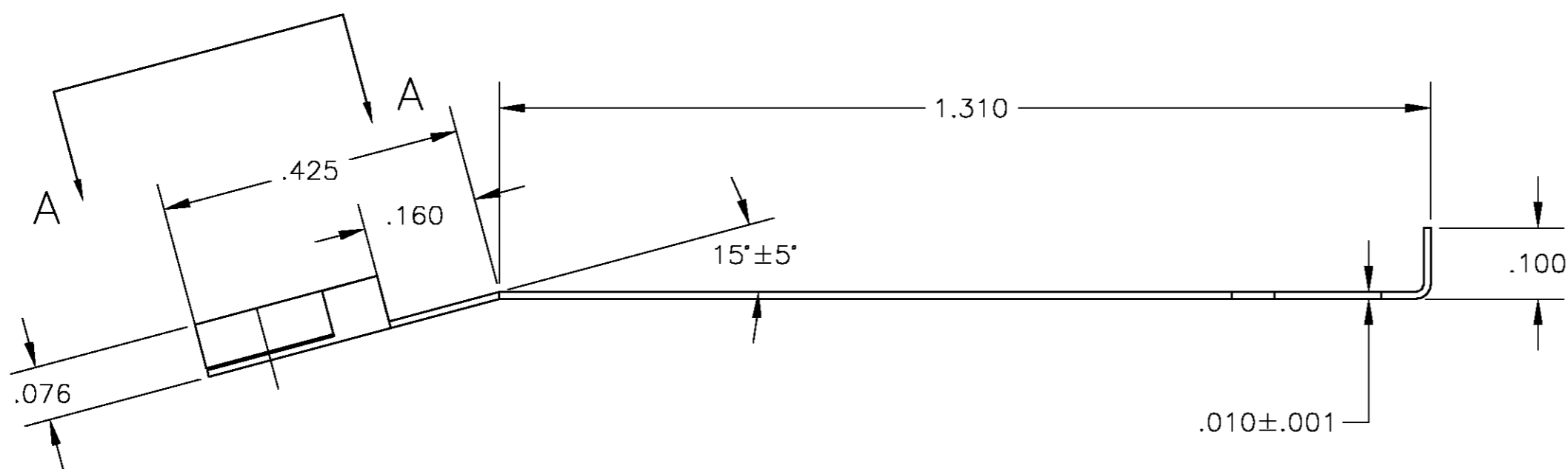
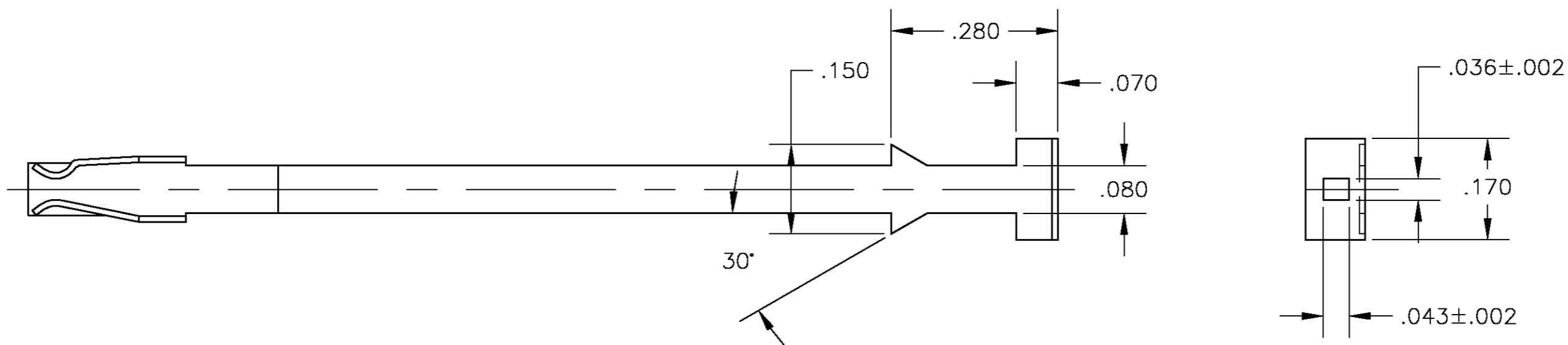


THIS DRAWING IS UNPUBLISHED. RELEASED FOR PUBLICATION
 © COPYRIGHT BY TYCO ELECTRONICS CORPORATION. ALL RIGHTS RESERVED.

LOC	DIST	REVISIONS			
P	LTR	DESCRIPTION	DATE	DWN	APVD
AG	14				
	A	REVISED PER 0G63-0116-03	09OCT03	MF	KR

1 SUPPLIED IN LOOSE PIECE



VIEW A-A
 ROTATED 15° CW

1601950-1
 PART NO

THIS DRAWING IS A CONTROLLED DOCUMENT.		DWN jr ruth 16JAN03	Tyco Electronics Corporation Harrisburg, PA 17105	
DIMENSIONS: INCHES		CHK K RANDOLPH 16JUN03	NAME WEDGE BASE LAMP CONTACT	
TOLERANCES UNLESS OTHERWISE SPECIFIED:		APVD K RANDOLPH 16JUN03	PRODUCT SPEC -	
0 PLC ± -		APPLICATION SPEC -	SIZE A2	CAGE CODE 00779
1 PLC ± -		WEIGHT -	DRAWING NO C=1601950	
2 PLC ± -		RESTRICTED TO -		
3 PLC ± .010		SCALE 5:1		
4 PLC ± -		SHEET 1 OF 1		
ANGLES ± 1°		REV A		
FINISH -		CUSTOMER DRAWING		