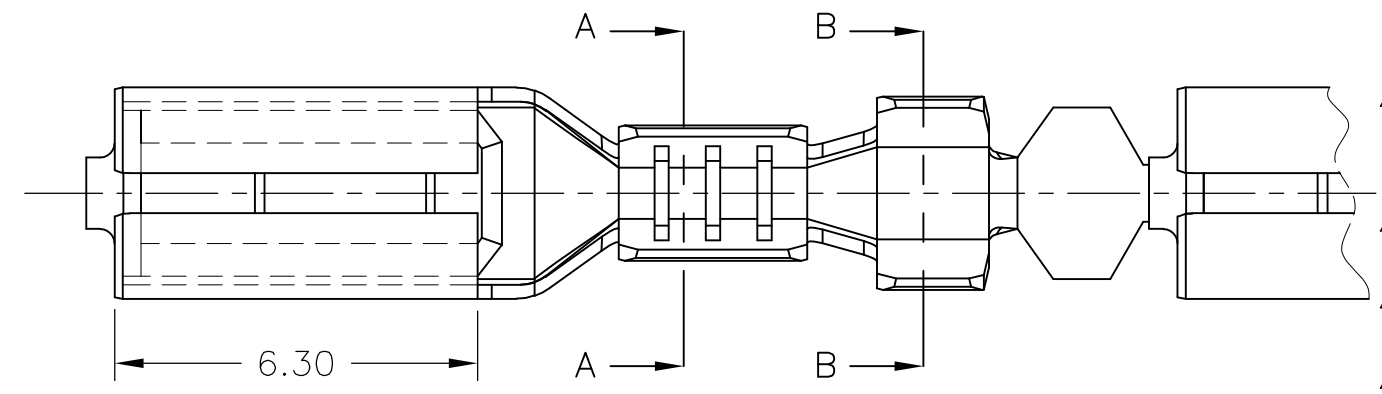
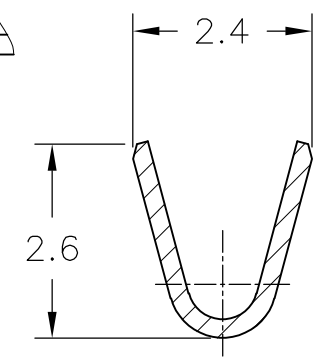
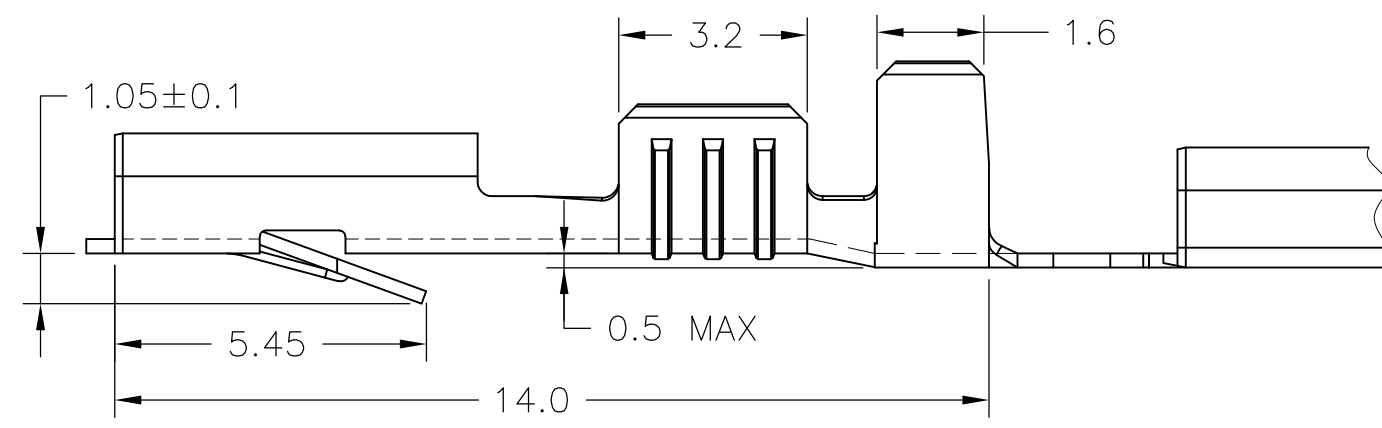
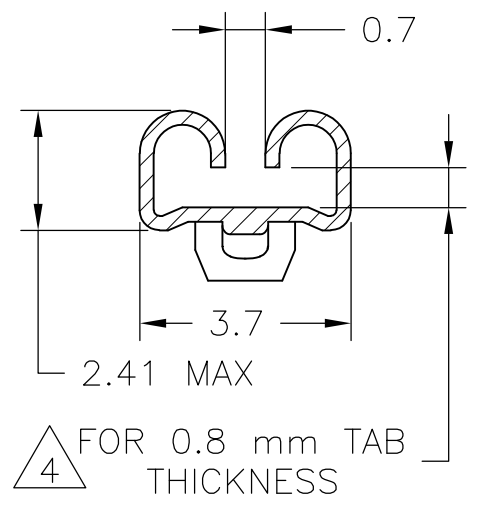


THIS DRAWING IS UNPUBLISHED. RELEASED FOR PUBLICATION
 © COPYRIGHT - TE Connectivity Ltd. ALL RIGHTS RESERVED.

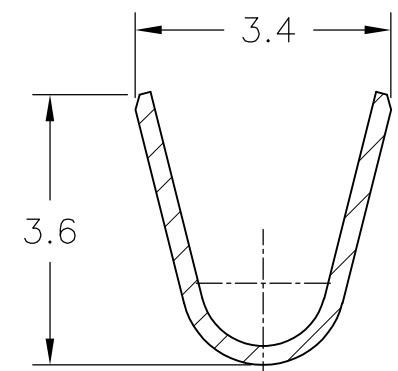
REVISIONS				
P	LTR	DESCRIPTION	DATE	APVD
	D2	REDRAWN PER ECR-17-018705	06DEC2017	BDA GG



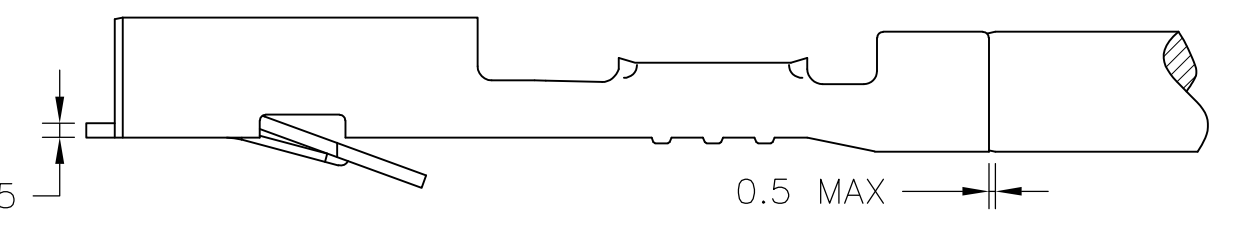
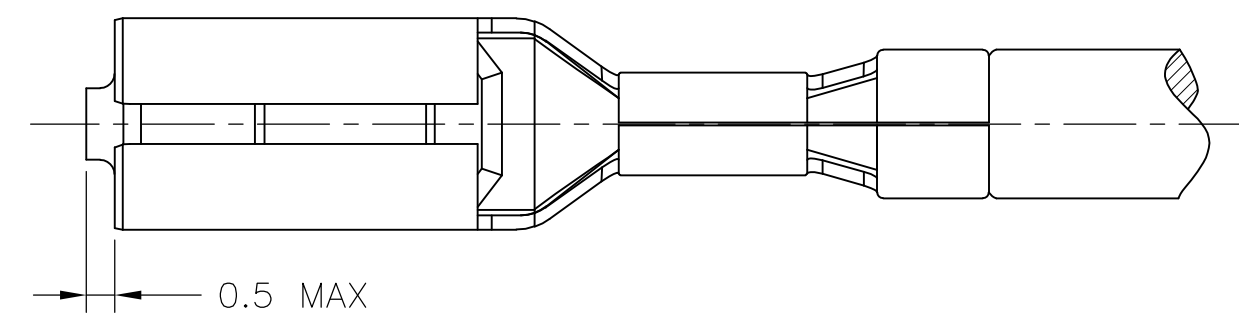
- 1 FOR USE ON MINIATURE APPLICATORS (LEFT-RIGHT FEED) AND STANDARD APPLICATORS (RIGHT-LEFT FEED)
- 2 BRASS ACC. ASTM B36 ALLOY 260.
- 3 PH. BRONZE ACC. ASTM B103.
- 4 GAGE 0.74 MUST NOT ENTER, GAGE 0.58 MUST ENTER.
- 5 REELED WITH PAPER COVER.
- 6 UNLESS OTHERWISE SPECIFIED ALL TOLERANCES ±0.4mm



SECTION A-A

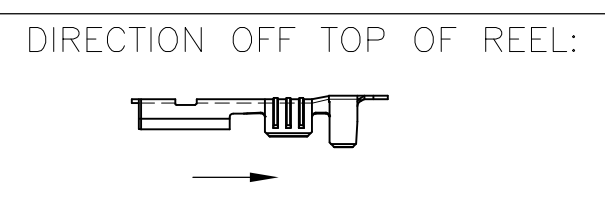


SECTION B-B



3	1	PH. BRONZE	PH. BRONZE 6XSn	160864-6
3	1	PH. BRONZE	PH. BRONZE 6XSn	160864-5
3	1	PRE -TINPLATED	PH. BRONZE 4XSn	160864-4
3	1	UNPLATED	PH. BRONZE 4XSn	160864-3
2	1	PRE -TINPLATED	BRASS	160864-2
2	1	UNPLATED	BRASS	160864-1
NOTES		FINISH	MATERIAL	PART NUMBER

WIRE RANGE:
0.5-1.0mm²
INSULATION RANGE:
1.4-2.3 DIA



THIS DRAWING IS A CONTROLLED DOCUMENT.

DIMENSIONS: mm	TOLERANCES UNLESS OTHERWISE SPECIFIED:
	0 PLC ± -
	1 PLC ± -
	2 PLC ± -
	3 PLC ± -
	4 PLC ± -
	ANGLES ± -
MATERIAL	FINISH
-	-

THIS DRAWING IS A CONTROLLED DOCUMENT.

DWN 06DEC2017
BASAVARAJA D A
CHK 06DEC2017
GUNASEKHAR G
APVD 06DEC2017
GUNASEKHAR G

NAME: .110 SERIES FASTIN-ON RECEPTACLE

SIZE: A3 CAGE CODE: 00779 DRAWING NO: C-160864 RESTRICTED TO: -

CUSTOMER DRAWING SCALE: 4:1 SHEET: 1 OF 1 REV: D2