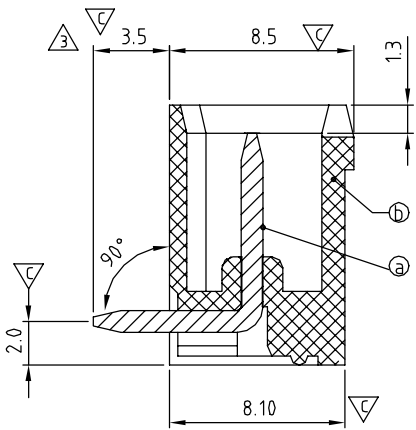


RECOMMENDED PCB LAYOUT



N = Number of poles  
 Dim A =  $N \times 5.0 + 2.0$   
 Dim B =  $(N - 1) \times 5.0$

| Poles  | Dim A      | Dim B      |
|--------|------------|------------|
| 2-6p   | $\pm 0.20$ | $\pm 0.15$ |
| 7-12p  | $\pm 0.25$ | $\pm 0.20$ |
| 13-18p | $\pm 0.30$ | $\pm 0.25$ |
| 19-24p | $\pm 0.35$ | $\pm 0.30$ |

| SIGN | DATE       | DESCRIPTION                                     | APPROVER |
|------|------------|---|----------|
| △    | 8/16'06    | Added VDE and TUV standard                      | Steady   |
| △    | 8/16'06    | Current rating (cULus) changed from 10A to 20A  | Steady   |
| △    | 1/19'07    | Dimension changed from 4.0 to 3.5               | Tony     |
| △    | 1/19'07    | Soldering temperature changed from 245° to 250° | Tony     |
| △    | 12/17'08   | Add the tolerance table                         | Jacke    |
| △    | 2009.10.21 | The material is changed from Brass to Copper    | Jacke    |
| △    | 2009.10.21 | The operating temperature is changed            | Jacke    |
| △    | 2010.05.29 | The design is changed                           | Jacke    |
| △    | 2012.12.03 | Update the drawing                              | Chen Bo  |

THIS IS CAD DRAWING, DO NOT REVISE MANUALLY!!!

Material:

- Item ⑥ Male contact pin: Copper Tin plated
- Item ⑦ Terminal(housing): Thermoplastic (UL94V-0)

- ① Electrical: cULus /VDE /TUV
- Voltage rating: 300V/300V/300V
- ② ● Current rating: 20A/20A/20A
- Withstanding Voltage: 1.6 KV/2.5KV/2.5KV
- ⑦ ● Operating temperature: -40°C to +115°C
- ⑨/④ ● Soldering temperature: 260°C±5°C/5 Sec
- Safety Approval:
- Critical dimension:

OQ xx 7 1 x 1 xxxx G

- No. OF POLES
- 02: 2 POLES
- :
- 24: 24 POLES
- G RoHS compliant (lead<4%) In copper Alloy
- 0000: "@ " Logo (Standard)
- 000A: "ANYTEK" Mark
- Any special item by customer request. please contact sales department.
- 0 Black (RAL9005)
- 2 Red (RAL3001/D)
- 3 Orange(RAL2011/P)
- 4 Yellow(RAL1018/A)
- 5 Green(RAL6018/T)
- 6 Blue (RAL5015/A)
- 8 Grey(RAL7035/D)
- 9 White(RAL1102)
- C Green(RAL6018/U)

|   |  |                                   |                     |                      |         |            |         |
|---|--|-----------------------------------|---------------------|----------------------|---------|------------|---------|
| <b>ANYTEK</b>   |  |                                   |                     | <b>CUSTOMER COPY</b> |         |            |         |
| ALL RIGHTS RESERVED. REPRODUCTION OR ISSUE TO THIRD PARTIES IN ANY FORM WHATSOEVER IS NOT PERMITTED WITHOUT WRITTEN AUTHORITY FROM THE PROPRIETOR. PROPERTY OF ANYTEK TECHNOLOGY CO., LTD |  |                                   |                     |                      |         |            |         |
| TITLE   |  | OQ 5.0mm 90° /Close Series 2p-24p |                     |                      |         |            |         |
| PART NO.  |  | OQxx71x1xxxxG                     |                     |                      | DWG NO. |            | 80Q0504 |
| APPROVED  |  | DESIGNED                          | DRAWN               | CUST NO.             |         | Tolerance  |         |
|   |  | Chen Bo<br>12/03'12               | Chen Bo<br>12/03'12 |                      |         | X. ±0.50   |         |
|   |  |                                   |                     | UNIT: mm             |         | X.X ±0.30  |         |
|   |  |                                   |                     | SCALE: NONE          |         | X.XX ±0.10 |         |
|   |  |                                   |                     | SHEET: 01/01         |         | X° ±1°     |         |
|   |  |                                   |                     | REV.: J              |         |            |         |