



GS23 CO₂ Transmitter(Indoor)



| Features |

- Optional LCD display
- Measuring carbon dioxide
- 1 analog output or Modbus RS-485
- Optional analog output + RS-485
- Easy installation and maintenance
- Cost-effective and reliable
- Data can be logged and transferred to PC via RS-485 function link free software

| Applications |

Monitoring the air quality in indoor environments / HVAC / Air conditioning / Museums / Supermarkets / Data centers / Warehouses

| Specification |

Display

Display	LCD module without backlight
Display readout	One line character
Digit	4 digits
Digit height	17.84 mm

Input

CO ₂	NDIR sensor
-----------------	-------------

Measuring range

CO ₂	0 ... 2000 PPM
-----------------	----------------

Output

Analog output	0 ... 10 V / 4 ... 20 mA
Modbus	RS-485
Signal connection	3-wire
Load resistance	Max. 250 Ω for I output Min. 100 KΩ for V output
Warm-up time	<2 min ; Stable time 20 min
Response time	t90 < 2 min
Sampling time	About 6 sec
Data logger	Via RS-485 by using eYc free software

Accuracy(at +25°C ; 101.3 kPa)

CO ₂	±40 PPM ± 3% of reading
-----------------	-------------------------

Environment

Medium	Air
Operating Temp.	0 ... 50°C
Operating Humid.	0 ... 85%RH
Storage temperature	-20 ... + 60°C

Electrical

Power supply	DC 24 V ± 10% & AC 24 V ± 10%
Current consumption	DC : 150 mA / AC : 120 mA
Starting current	DC 24 V : 250 mA AC 24 V : 230 mA
Electrical connection	Analog & communication : 4P connector

Installation

Installation	Wall mount
--------------	------------

Protection

IP rating	IP20
Electrical protection	■ Polarity protection ■ Short-circuit

Certification

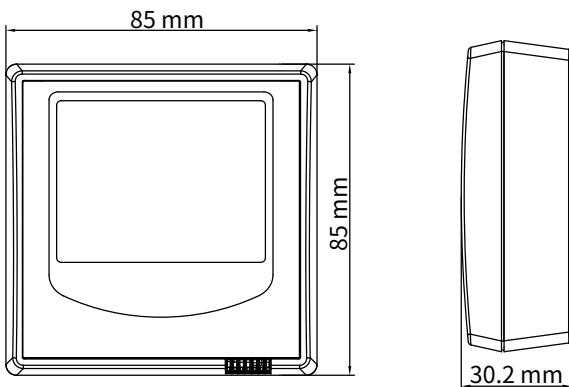
Certification	CE
---------------	----

Material

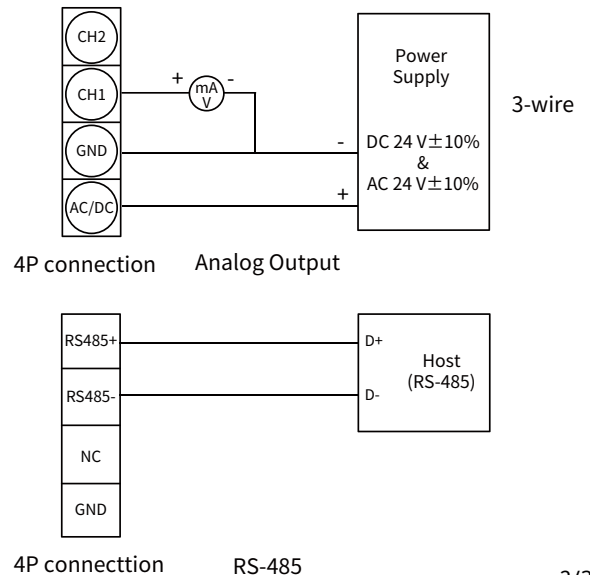
Housing	PC(PC-110)(UL94V-2)
Weight	100 g

*Please make sure the product and the device which connect with RS-485 are on common ground, avoid damaged product.

| Dimension |



| Diagram |



| Ordering Guide |

