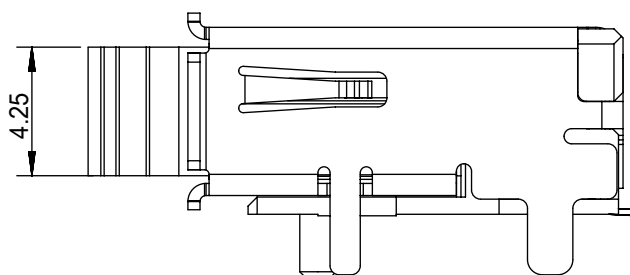
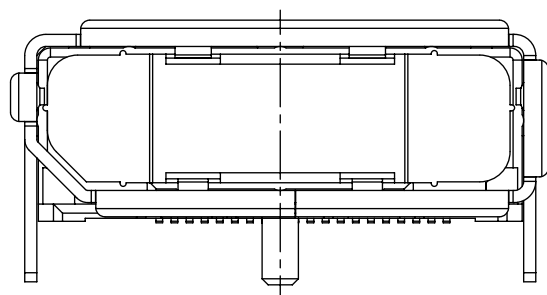
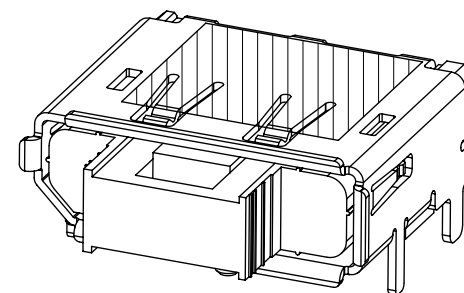
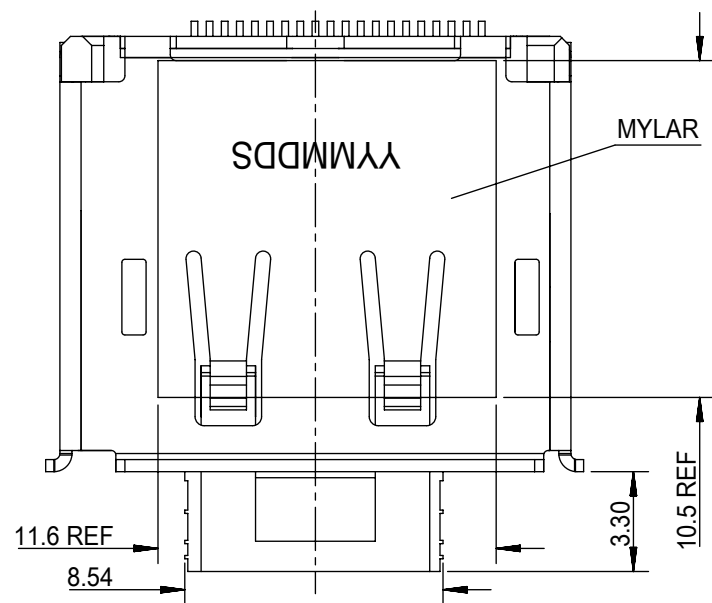




# WITH COVER AND MYLAR

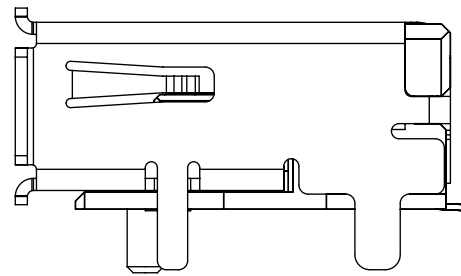
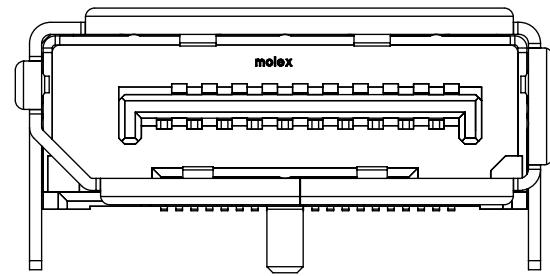
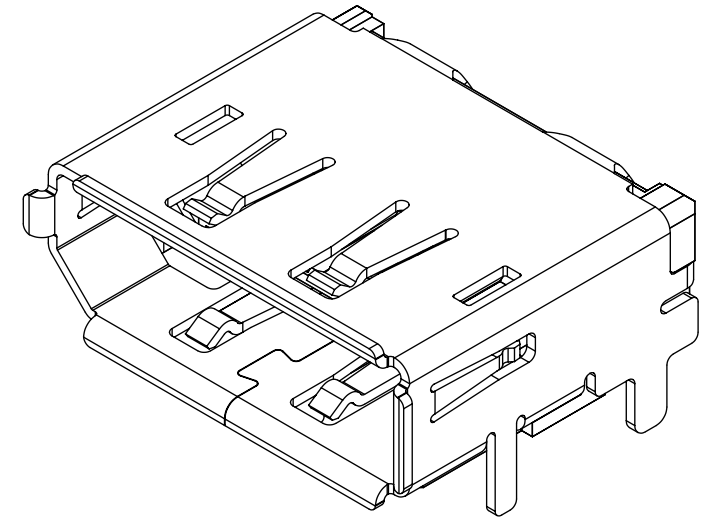
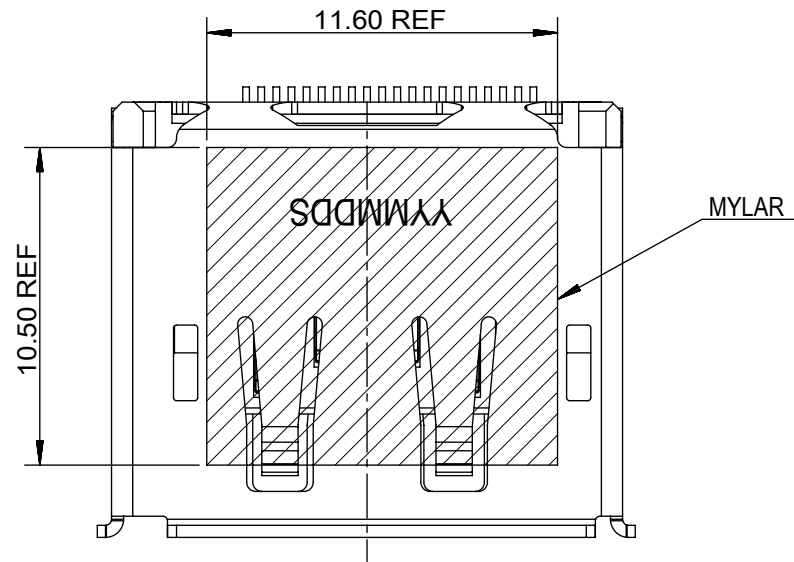


NOTES:

- 1.UNSPECIFIED DIMENSION ARE SAME AS SHEET1
- 2.CONNECTOR WITH COVER IS USED FOR WARE SOLDERING PEG

<b>SYMBOLS</b> ▽ = 0 ▽ = 0 ▽ = 0 ▽ = 0 ▽ = 0 ▽ = 0 ▽ = 0 ▽ = 0 ▽ = 0 ▽ = 0	THIS DRAWING CONTAINS INFORMATION THAT IS PROPRIETARY TO MOLEX ELECTRONIC TECHNOLOGIES, LLC AND SHOULD NOT BE USED WITHOUT WRITTEN PERMISSION	DIMENSION UNITS	SCALE	CURRENT REV DESC:  EC NO: 618483 DRWN: RZHANG 2019/09/23 CHK'D: AYIN 2019/10/11 APPR: AYIN 2019/10/11  INITIAL REVISION: DRWN: RZHANG 2006/04/06 APPR: JNCHEN 2007/03/23	<b>molex</b>  1.0MM PITCH DISPLAY PORT RECEPTACLE ASSEMBLY				
	mm	1:1	PRODUCT CUSTOMER DRAWING						
	GENERAL TOLERANCES (UNLESS SPECIFIED)					DOCUMENT NUMBER	DOC TYPE	DOC PART	REVISION
	ANGULAR TOL ± 3.0 °				SD-47272-001	PSD	001	D	
	4 PLACES ±				MATERIAL NUMBER	CUSTOMER			
3 PLACES ±				A3-SIZE	GENERAL MARKET				
2 PLACES ± 0.25				SHEET NUMBER	2 OF 3				
1 PLACE ± 0.25									
0 PLACES ±									
DRAFT WHERE APPLICABLE MUST REMAIN WITHIN DIMENSIONS				THIRD ANGLE PROJECTION	DRAWING	SERIES			
					A3-SIZE	47272			

# STANDARD TYPE WITH MYLAR



### NOTES:

1. UNSPECIFIC DIMENSION ARE SAME AS SHEET1
2. THE RECOMMENDER PCB ARE SAME AS SHEET1

SYMBOLS	THIS DRAWING CONTAINS INFORMATION THAT IS PROPRIETARY TO MOLEX ELECTRONIC TECHNOLOGIES, LLC AND SHOULD NOT BE USED WITHOUT WRITTEN PERMISSION		CURRENT REV DESC:			<b>molex</b>		
	DIMENSION UNITS	SCALE						
▽ = 0	mm	1:1	DRWN: RZHANG	2019/10/11	PRODUCT CUSTOMER DRAWING			
▽ = 0	GENERAL TOLERANCES (UNLESS SPECIFIED)		CHK'D: AYIN	2019/10/11				
▽ = 0	ANGULAR TOL ± 3.0°		APPR: AYIN	2019/10/11	DOCUMENT NUMBER	DOC TYPE	DOC PART	REVISION
▽ = 0	4 PLACES	±	INITIAL REVISION:		SD-47272-001	PSD	001	D
▽ = 0	3 PLACES	±	DRWN: RZHANG	2006/04/06	MATERIAL NUMBER	CUSTOMER	SHEET NUMBER	
▽ = 0	2 PLACES	± 0.25	APPR: JNCHEN	2007/03/23	47272	GENERAL MARKET	3 OF 3	
▽ = 0	1 PLACE	± 0.25	THIRD ANGLE PROJECTION		A3-SIZE			
▽ = 0	0 PLACES	±	DRAWING		47272			
▽ = 0	DRAFT WHERE APPLICABLE MUST REMAIN WITHIN DIMENSIONS		SERIES		47272			