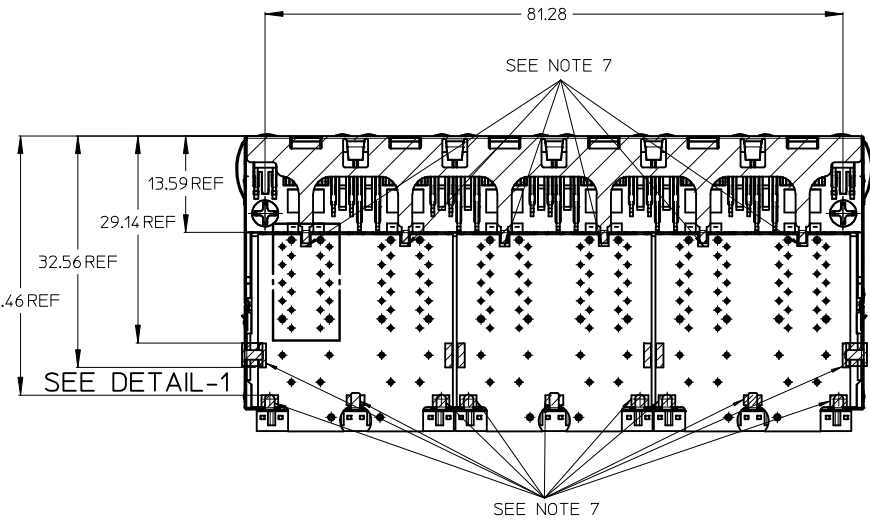
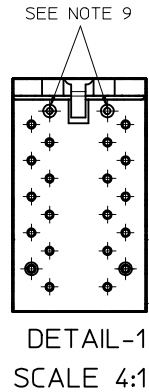
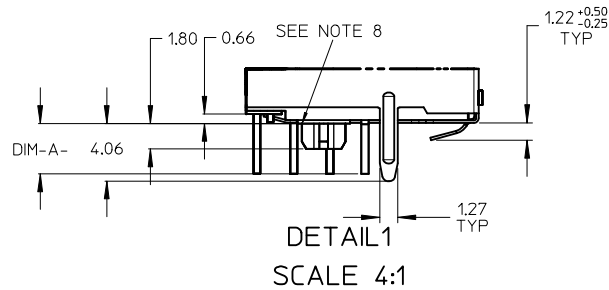
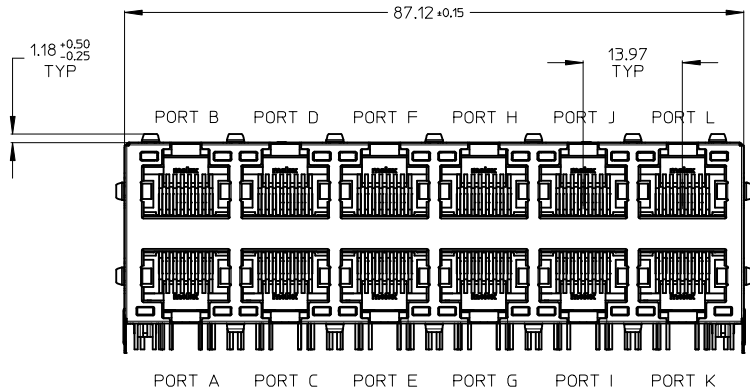
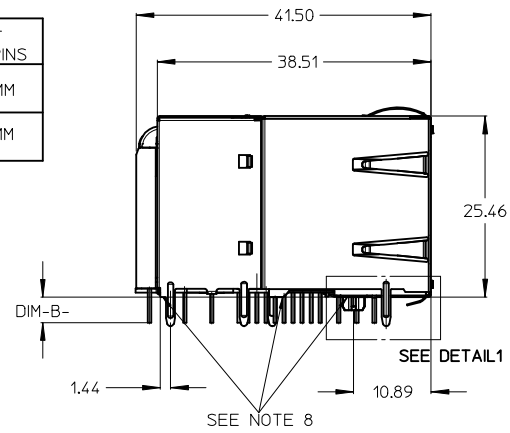


**GIGABIT 12 PORT MAGNETIC JACK WITH LED'S
AND INTEGRATED POWER OVER ETHERNET TRANSFORMERS
ACCORDING TO IEEE802.3at FOR PSE APPLICATIONS**

PART NUMBER	UPPER & LOWER LED LEFT		UPPER & LOWER LED RIGHT		DIM-A- SIGNAL PINS	DIM-B- LED PINS
85731-1013	COLOUR 1	YELLOW	COLOUR 1	YELLOW	2.67 MM	2.67 MM
	COLOUR 2	GREEN	COLOUR 2	GREEN		
85731-4013	COLOUR 1	YELLOW	COLOUR 1	YELLOW	2.5 MM	2.67 MM
	COLOUR 2	GREEN	COLOUR 2	GREEN		

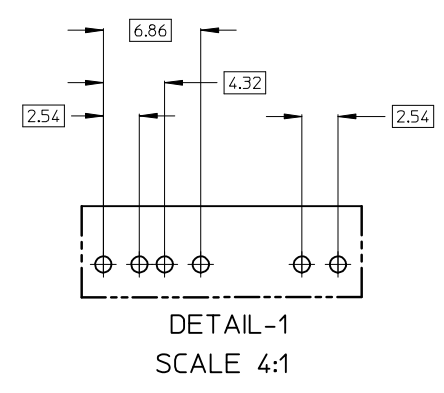
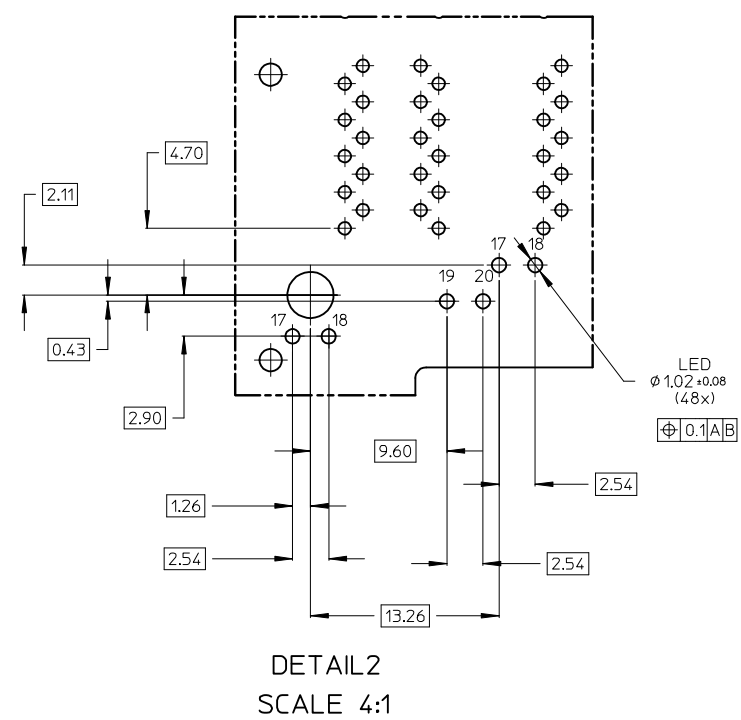
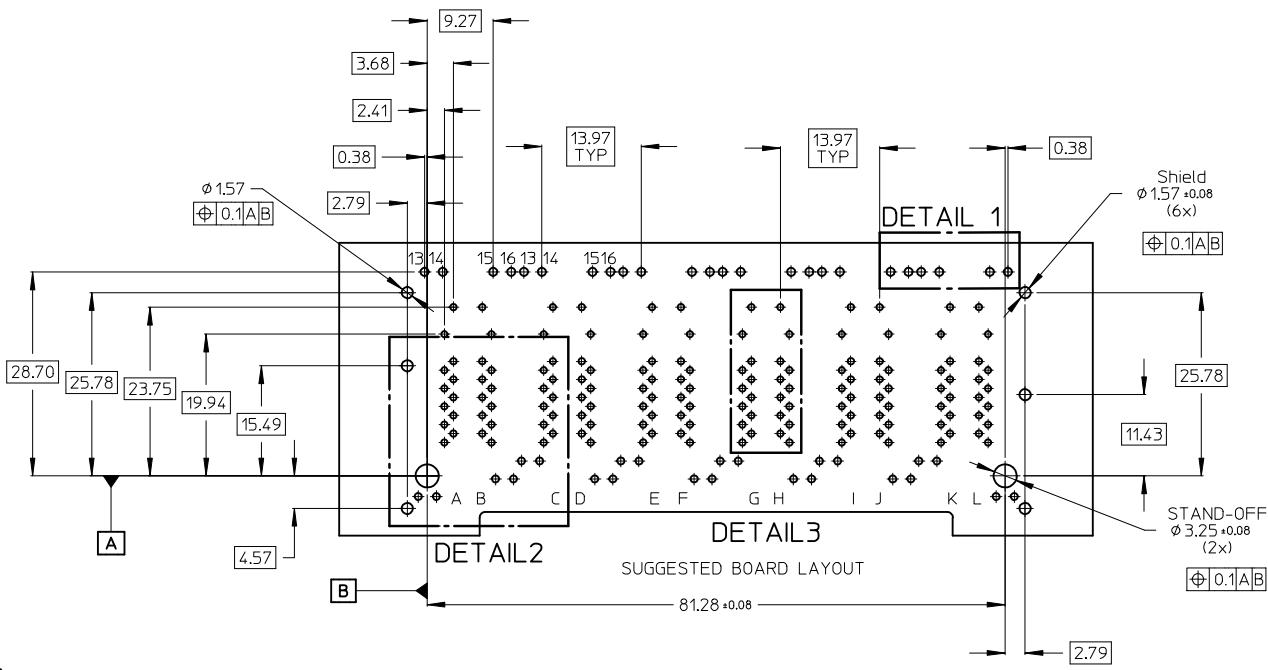
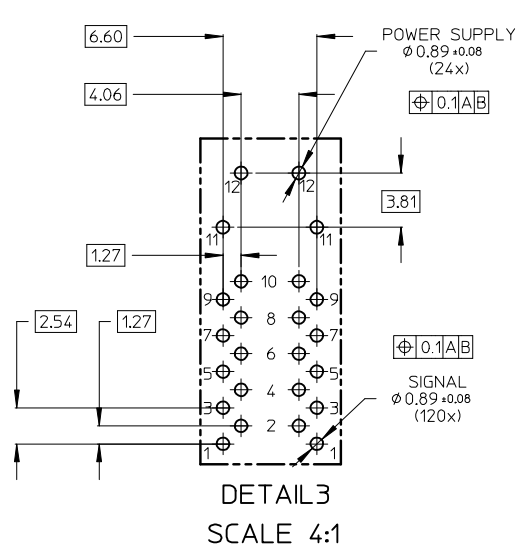
ADDITIONAL LED COLOURS AND CONFIGURATIONS
ARE AVAILABLE ON REQUEST



NOTES:

- 1 - SHIELD MATERIAL: BRASS, PLATING: NICKEL PRE-PLATING
- 2 - PLASTIC MATERIAL: POLYESTER (PBT)BLACK, 30%GR, UL 94 V-0
- 3 - TERMINALS MATERIAL: COPPER ALLOY
RJ45 CONTACT PLATING: 0.76 MICROMETER GOLD OVER 1.9 MICROMETER NICKEL
SOLDER TERMINALS: 3 MICROMETER TIN
EXCEEDS PRODUCT REQUIREMENTS BASED ON PS-85731-001
- 4 - MATING INTERFACE ACCORDING TO IEC 60603-7
- 5 - PRODUCT SPECIFICATION: PS-85731-001
- 6 - PACKAGING SPECIFICATION: PK-85731-001
- 7 - TRACES WITHOUT INSULATION NOT ALLOWED IN THE DASHED AREAS.
(TO AVOID SHORTS TO SHIELD)
- 8 - STAND OFF TO SYSTEM BOARD
- 9 - STUBBED PINS -> AVOID TO ROUTE TRACES OR TO PLACE ANY VIAS OR PADS BELOW THESE PINS
- 10 - FOR MAGNETIC AND LED INFORMATION SEE SPEC PS-85731-001

INCH DIM DELETED IEC NO: IFC2016-1423 DRWN: JBADER 2016/04/20 CHKD: MMANGARUDOV 2016/04/20 APPR: SSTEINKE 2016/04/21	QUALITY SYMBOLS ▽=0 ▽=0	GENERAL TOLERANCES (UNLESS SPECIFIED)		DIMENSION STYLE MM ONLY		SCALE 2:1	DESIGN UNITS METRIC	THIRD ANGLE PROJECTION		
		4 PLACES ± --- ± --- 3 PLACES ± --- ± --- 2 PLACES ± 0.25 ± --- 1 PLACE ± 0.5 ± --- ANGULAR ± .5 °		DRAWN BY JBADER 2010/09/28		DATE 2010/09/28		TITLE GIGABIT MAGNETIC JACK POE PLUS ENABLED 2X6 LED		
		DRAFT WHERE APPLICABLE MUST REMAIN WITHIN DIMENSIONS		APPROVED BY SSTEINKE 2013/01/28		DATE 2013/01/28		MOLEX INCORPORATED		
				MATERIAL NO. SEE BOM		DOCUMENT NO. SD-85731-001		SHEET NO. 1 OF 4		



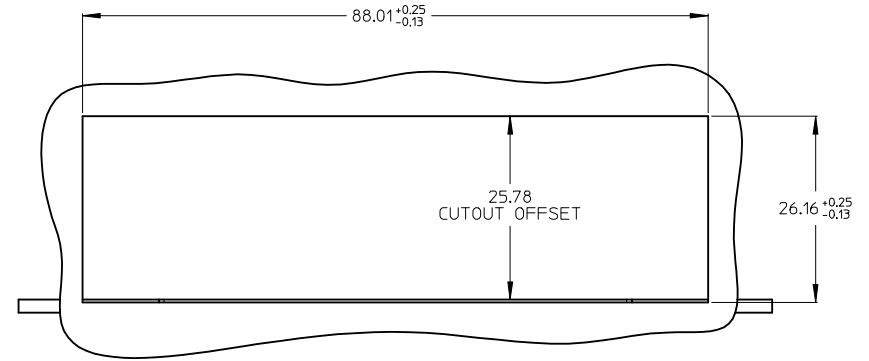
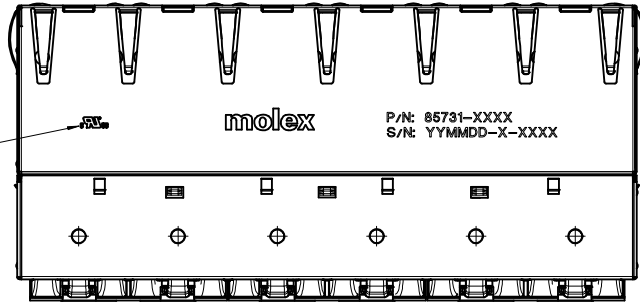
INCH DIM DELETED EC NO: IPG2016-1423 DRWN: JBADER 2016/04/20 CHKD: MMANGARUDOV 2016/04/20 APPR: SSTEINKE 2016/04/21	QUALITY SYMBOLS $\nabla=0$ $\nabla=0$	GENERAL TOLERANCES (UNLESS SPECIFIED) <table border="1"> <tr> <th></th> <th>mm</th> <th>INCH</th> </tr> <tr> <td>4 PLACES</td> <td>± 0.25</td> <td>± 0.010</td> </tr> <tr> <td>3 PLACES</td> <td>± 0.30</td> <td>± 0.012</td> </tr> <tr> <td>2 PLACES</td> <td>± 0.38</td> <td>± 0.015</td> </tr> <tr> <td>1 PLACE</td> <td>± 0.50</td> <td>± 0.020</td> </tr> <tr> <td colspan="3">ANGULAR $\pm .5^\circ$</td> </tr> </table>		mm	INCH	4 PLACES	± 0.25	± 0.010	3 PLACES	± 0.30	± 0.012	2 PLACES	± 0.38	± 0.015	1 PLACE	± 0.50	± 0.020	ANGULAR $\pm .5^\circ$			DIMENSION STYLE MM ONLY	SCALE 2:1	DESIGN UNITS METRIC	THIRD ANGLE PROJECTION
		mm	INCH																					
	4 PLACES	± 0.25	± 0.010																					
	3 PLACES	± 0.30	± 0.012																					
2 PLACES	± 0.38	± 0.015																						
1 PLACE	± 0.50	± 0.020																						
ANGULAR $\pm .5^\circ$																								
DESCRIPTION GIGABIT MAGNETIC JACK POE PLUS ENABLED 2X6 LED	DRAWN BY JBADER	DATE 2010/09/28	CHECKED BY MMANGARUDOV	DATE 2010/09/28	GIGABIT MAGNETIC JACK POE PLUS ENABLED 2X6 LED																			
APPROVED BY SSTEINKE	DATE 2013/01/28	MOLEX INCORPORATED		MATERIAL NO. SEE SHEET 1	DOCUMENT NO. SD-85731-001	SHEET NO. 2 OF 4																		
DRAFT WHERE APPLICABLE MUST REMAIN WITHIN DIMENSIONS	THIS DRAWING CONTAINS INFORMATION THAT IS PROPRIETARY TO MOLEX INCORPORATED AND SHOULD NOT BE USED WITHOUT WRITTEN PERMISSION																							

PRINTING
LED VERSION

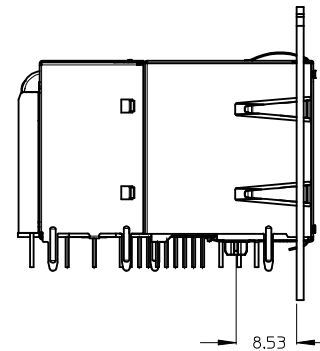
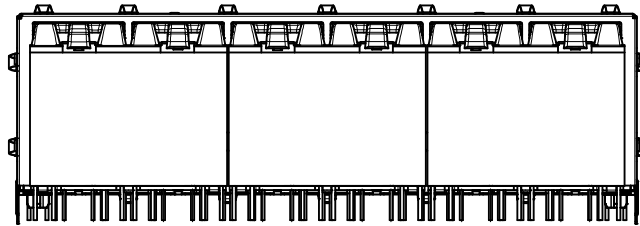
P/N: 85731-XXXX
S/N: YYMMDD-CM-CONSECUTIVE NUMBER

PRINTING

NOTE 3



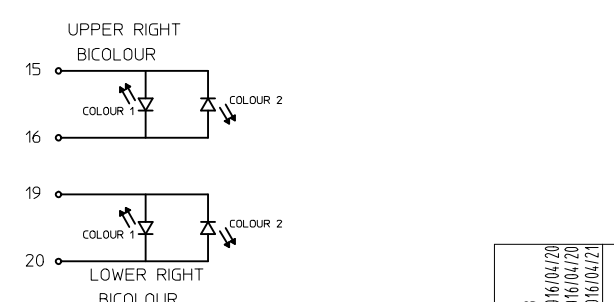
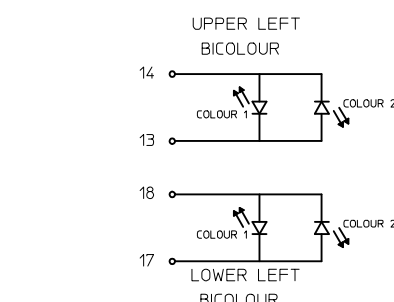
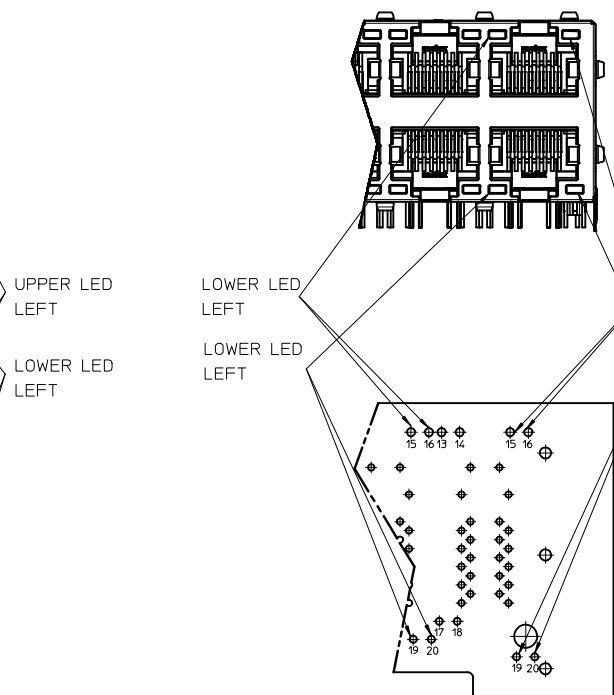
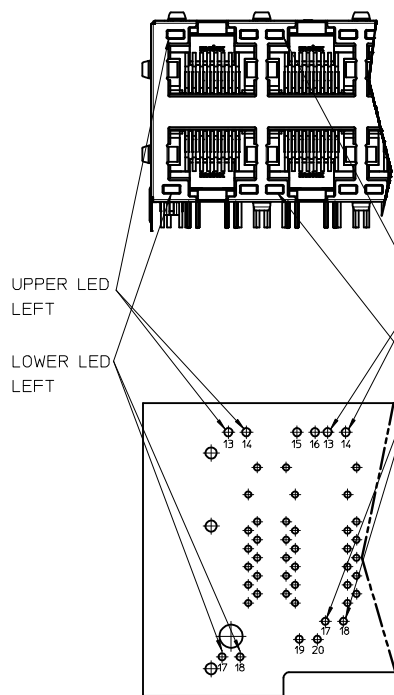
SUGGESTED PANEL CUT OUT



NOTES:

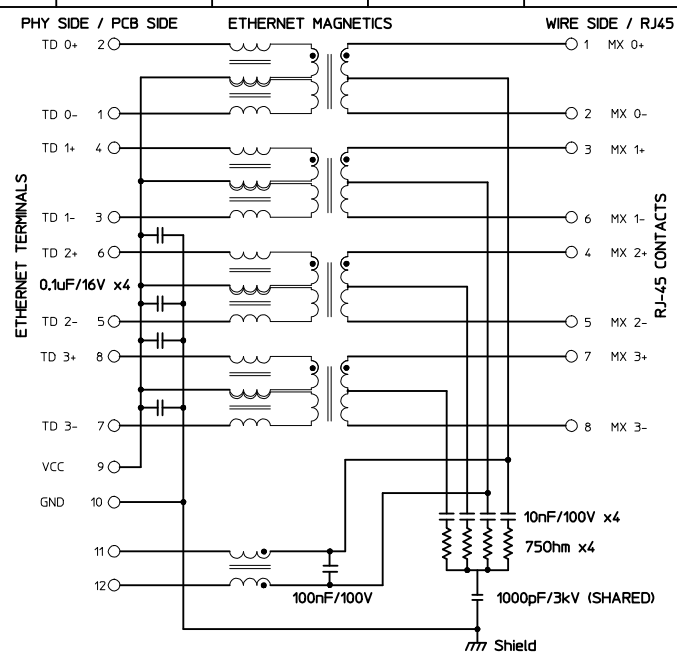
- 1 - PRINTING MARKED BY LASER
- 2 - INSCRIPTION:
1st LINE: PART NUMBER
2nd LINE: DATE CODE (YEAR, MONTH, DAY) - MANUFACTURER ID - CONSECUTIVE NUMBER
- 3 - UL LOGO

SHIELD LATCH ADDED EC NO: IFC2016-1423 DRWN: JBADER 2016/04/20 CHKD: MMANGARUDOV 2016/04/20 APPR: SSTE INKE 2016/04/21	QUALITY SYMBOLS	GENERAL TOLERANCES (UNLESS SPECIFIED)	DIMENSION STYLE	SCALE	DESIGN UNITS	THIRD ANGLE PROJECTION
	$\nabla=0$ $\nabla=0$	mm INCH 4 PLACES ± --- ± --- 3 PLACES ± --- ± --- 2 PLACES ± 0.25 ± --- 1 PLACE ± 0.5 ± --- ANGULAR ± .5 °	MM ONLY DRAWN BY DATE JBADER 2010/09/28 CHECKED BY DATE MMANGARUDOV 2010/09/28 APPROVED BY DATE SSTE INKE 2013/01/28	2:1	METRIC	GIGABIT MAGNETIC JACK POE PLUS ENABLED 2X6 LED
	DRAFT WHERE APPLICABLE MUST REMAIN WITHIN DIMENSIONS	SEE SHEET 1 SIZE A2	MATERIAL NO. DOCUMENT NO.	MOLEX INCORPORATED SD-85731-001	SHEET NO. 3 OF 4	
	THIS DRAWING CONTAINS INFORMATION THAT IS PROPRIETARY TO MOLEX INCORPORATED AND SHOULD NOT BE USED WITHOUT WRITTEN PERMISSION					



UPPER POSITION	LOWER POSITION	LEFT COLOUR	RIGHT COLOUR
14	18	+	-
13	17	-	+

UPPER POSITION	LOWER POSITION	RIGHT COLOUR	LEFT COLOUR
15	19	+	-
16	20	-	+



PIN	ETHERNET MAGNETICS
10	GND
9	Vcc
8	TD 3+
7	TD 3-
6	TD 2+
5	TD 2-
4	TD 1+
3	TD 1-
2	TD 0+
1	TD 0-
11	PWR 1-2
12	PWR 3-6

POWER-SUPPLY POLARITY DEFINITION
 TO ACHIEVE PoE POWER ASSIGNMENT
 ACCORDING IEEE 802.3at
 ALTERNATIVE A:

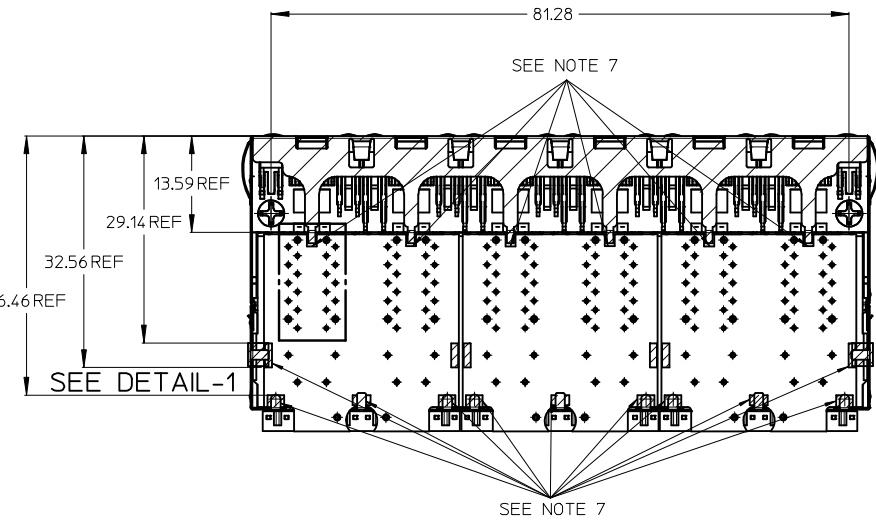
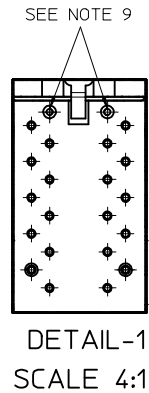
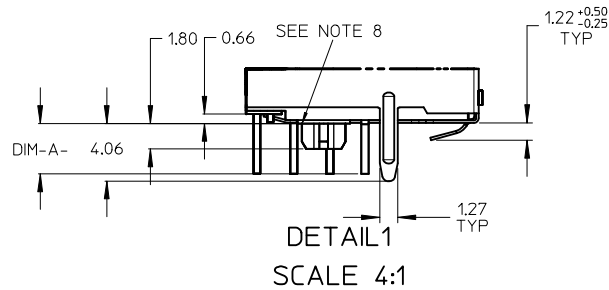
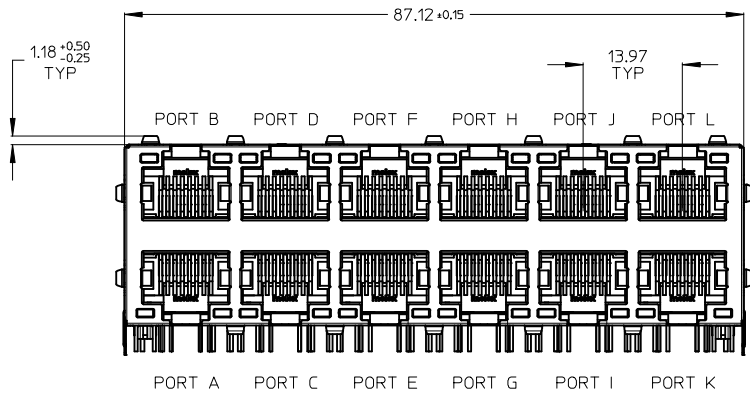
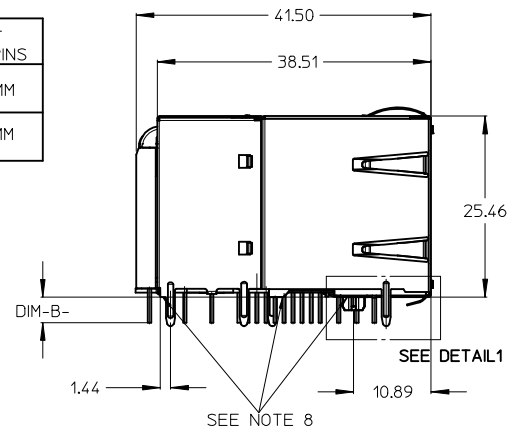
PIN 11	Vc-	Vc+
PIN 12	Vc+	Vc-

NO CHANGE EC NO: IFC2016-1423 DRWN: JBADER 2016/04/20 CHKD: MMANGARUDOV 2016/04/20 APPR: SSTEINKE 2016/04/21	QUALITY SYMBOLS ▽=0 ▽=0	GENERAL TOLERANCES (UNLESS SPECIFIED)		DIMENSION STYLE MM ONLY		SCALE 2:1	DESIGN UNITS METRIC	THIRD ANGLE PROJECTION
		4 PLACES ± --- ± --- 3 PLACES ± --- ± --- 2 PLACES ± 0.25 ± --- 1 PLACE ± 0.5 ± --- ANGULAR ± .5°	DRAWN BY JBADER DATE 2010/09/28	CHECKED BY MMANGARUDOV DATE 2010/09/28	TITLE GIGABIT MAGNETIC JACK POE PLUS ENABLED 2X6 LED			
		DRAFT WHERE APPLICABLE MUST REMAIN WITHIN DIMENSIONS	APPROVED BY SSTEINKE DATE 2013/01/28	MATERIAL NO. SEE SHEET 1	DOCUMENT NO. SD-85731-001			
		SHEET NO. 4 OF 4			THIS DRAWING CONTAINS INFORMATION THAT IS PROPRIETARY TO MOLEX INCORPORATED AND SHOULD NOT BE USED WITHOUT WRITTEN PERMISSION			

**GIGABIT 12 PORT MAGNETIC JACK WITH LED'S
AND INTEGRATED POWER OVER ETHERNET TRANSFORMERS
ACCORDING TO IEEE802.3at FOR PSE APPLICATIONS**

PART NUMBER	UPPER & LOWER LED LEFT		UPPER & LOWER LED RIGHT		DIM-A- SIGNAL PINS	DIM-B- LED PINS
85731-1013	COLOUR 1	YELLOW	COLOUR 1	YELLOW	2.67 MM	2.67 MM
	COLOUR 2	GREEN	COLOUR 2	GREEN		
85731-4013	COLOUR 1	YELLOW	COLOUR 1	YELLOW	2.5 MM	2.67 MM
	COLOUR 2	GREEN	COLOUR 2	GREEN		

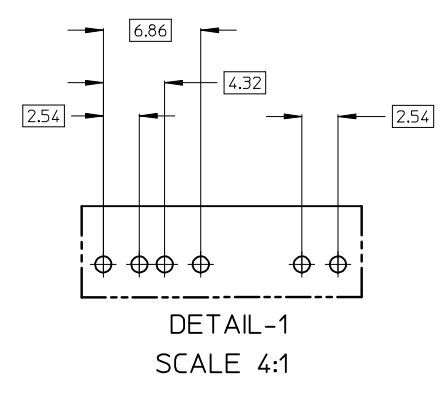
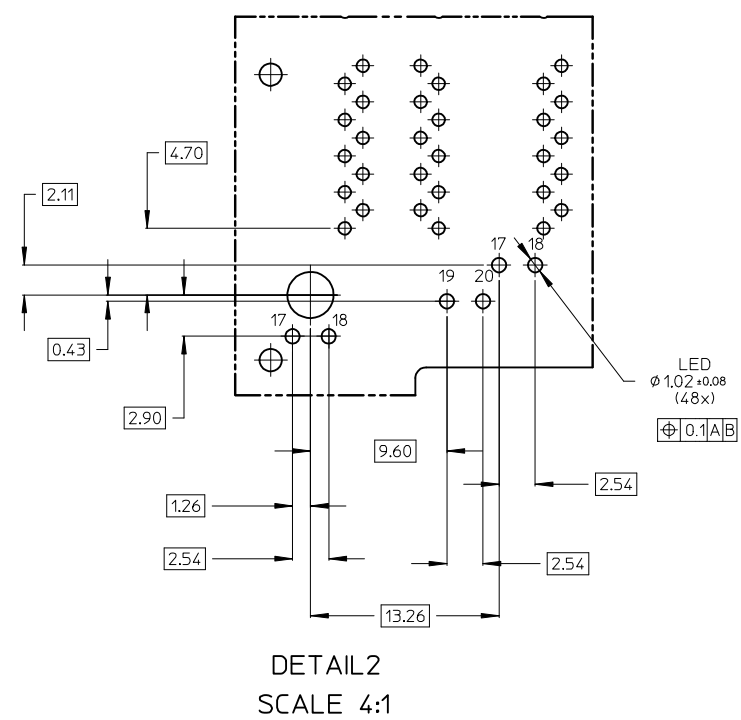
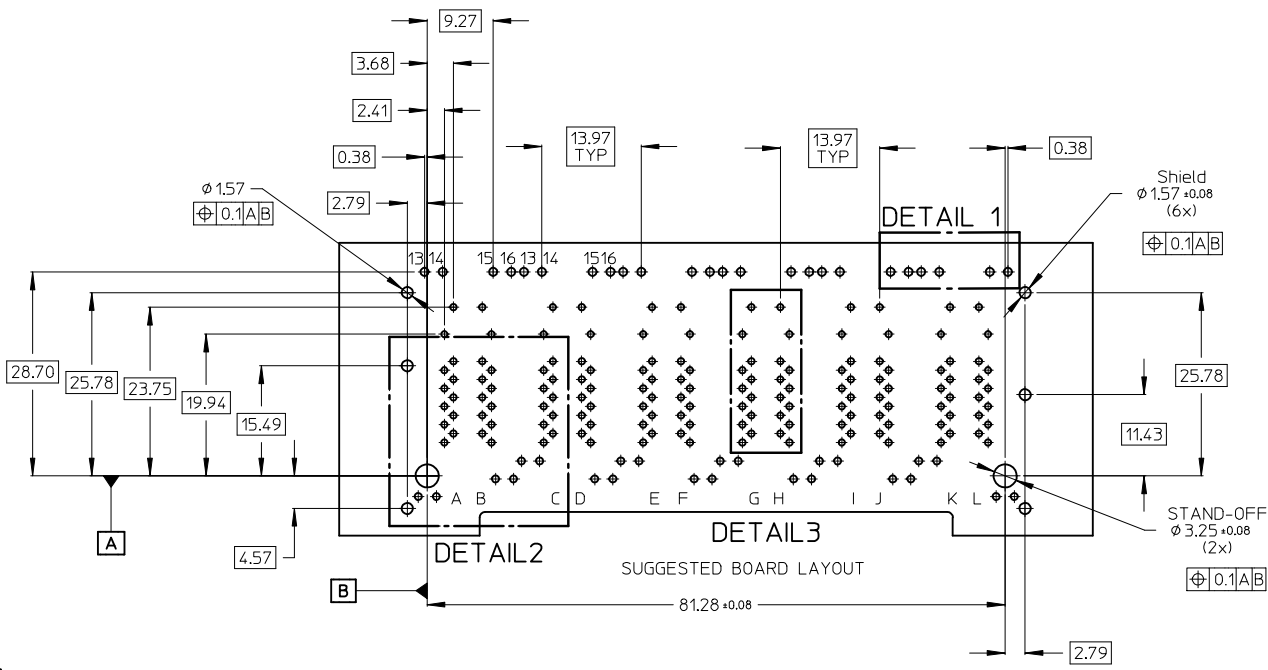
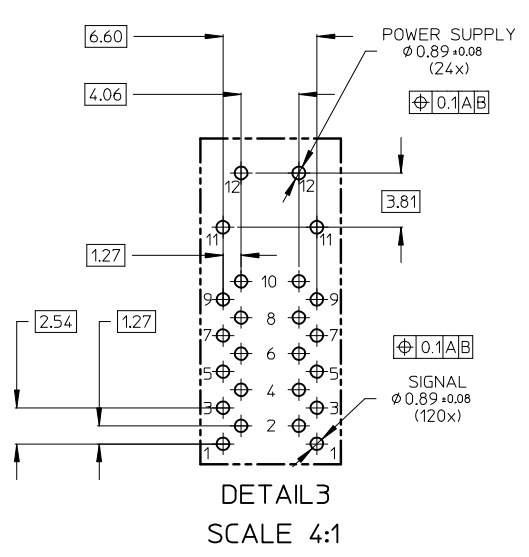
ADDITIONAL LED COLOURS AND CONFIGURATIONS
ARE AVAILABLE ON REQUEST



NOTES:

- 1 - SHIELD MATERIAL: BRASS, PLATING: NICKEL PRE-PLATING
- 2 - PLASTIC MATERIAL: POLYESTER (PBT)BLACK, 30%GR, UL 94 V-0
- 3 - TERMINALS MATERIAL: COPPER ALLOY
RJ45 CONTACT PLATING: 0.76 MICROMETER GOLD OVER 1.9 MICROMETER NICKEL
SOLDER TERMINALS: 3 MICROMETER TIN
EXCEEDS PRODUCT REQUIREMENTS BASED ON PS-85731-001
- 4 - MATING INTERFACE ACCORDING TO IEC 60603-7
- 5 - PRODUCT SPECIFICATION: PS-85731-001
- 6 - PACKAGING SPECIFICATION: PK-85731-001
- 7 - TRACES WITHOUT INSULATION NOT ALLOWED IN THE DASHED AREAS.
(TO AVOID SHORTS TO SHIELD)
- 8 - STAND OFF TO SYSTEM BOARD
- 9 - STUBBED PINS -> AVOID TO ROUTE TRACES OR TO PLACE ANY VIAS OR PADS BELOW THESE PINS
- 10 - FOR MAGNETIC AND LED INFORMATION SEE SPEC PS-85731-001

INCH DIM DELETED IEC NO: IFC2016-1423 DRWN: JBADER 2016/04/20 CHKD: MMANGARUDOV 2016/04/20 APPR: SSTEINKE 2016/04/21	QUALITY SYMBOLS	GENERAL TOLERANCES (UNLESS SPECIFIED)	DIMENSION STYLE MM ONLY	SCALE 2:1	DESIGN UNITS METRIC	THIRD ANGLE PROJECTION
	$\nabla=0$ $\nabla=0$	4 PLACES ± --- ± --- 3 PLACES ± --- ± --- 2 PLACES ± 0.25 ± --- 1 PLACE ± 0.5 ± --- ANGULAR ± .5 °	DRAWN BY: JBADER DATE: 2010/09/28 CHECKED BY: MMANGARUDOV DATE: 2010/09/28 APPROVED BY: SSTEINKE DATE: 2013/01/28 MATERIAL NO.	TITLE: GIGABIT MAGNETIC JACK POE PLUS ENABLED 2X6 LED MOLEX INCORPORATED DOCUMENT NO. SD-85731-001	SHEET NO. 1 OF 4	
	DRAFT WHERE APPLICABLE MUST REMAIN WITHIN DIMENSIONS		SEE BOM		THIS DRAWING CONTAINS INFORMATION THAT IS PROPRIETARY TO MOLEX INCORPORATED AND SHOULD NOT BE USED WITHOUT WRITTEN PERMISSION	
			SIZE A2			



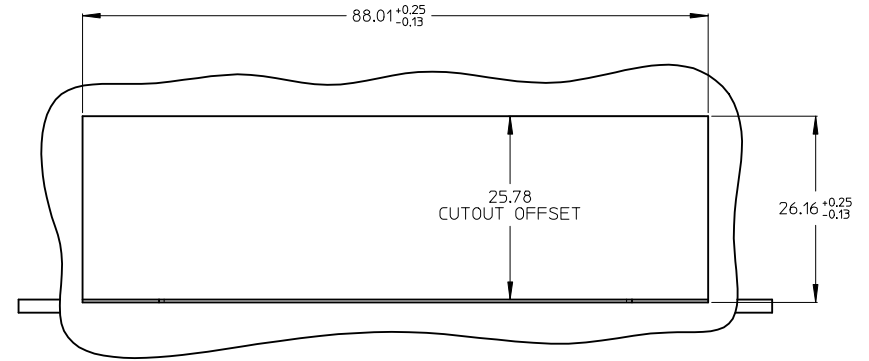
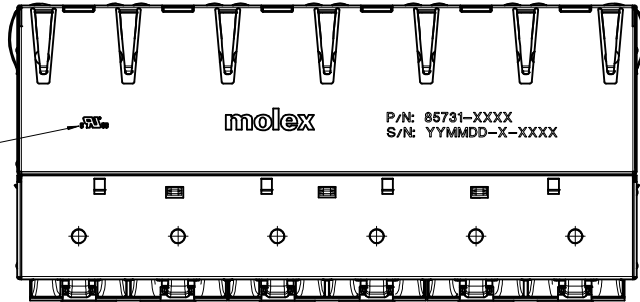
INCH DIM DELETED EC NO: IPG2016-1423 2016/04/20 DRWN: JBADER CHKD: MMANGARUDOV 2016/04/20 APPR: SSTEINKE 2016/04/21	QUALITY SYMBOLS $\nabla=0$ $\nabla=0$	GENERAL TOLERANCES (UNLESS SPECIFIED)		DIMENSION STYLE MM ONLY		SCALE 2:1	DESIGN UNITS METRIC	THIRD ANGLE PROJECTION
REV	DESCRIPTION	4 PLACES	± 0.25	± 0.010	DRAWN BY JBADER	DATE 2010/09/28	TITLE GIGABIT MAGNETIC JACK POE PLUS ENABLED 2X6 LED	
		3 PLACES	± 0.25	± 0.010	CHECKED BY MMANGARUDOV	DATE 2010/09/28	MOLEX INCORPORATED	
		2 PLACES	± 0.25	± 0.010	APPROVED BY SSTEINKE	DATE 2013/01/28	DOCUMENT NO. SD-85731-001	
		1 PLACE	± 0.5	± 0.010	MATERIAL NO. SEE SHEET 1		SHEET NO. 2 OF 4	
		ANGULAR $\pm .5^\circ$		DRAFT WHERE APPLICABLE MUST REMAIN WITHIN DIMENSIONS		THIS DRAWING CONTAINS INFORMATION THAT IS PROPRIETARY TO MOLEX INCORPORATED AND SHOULD NOT BE USED WITHOUT WRITTEN PERMISSION		

PRINTING
LED VERSION

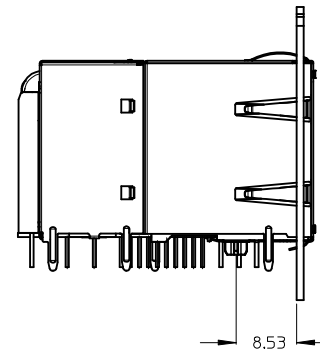
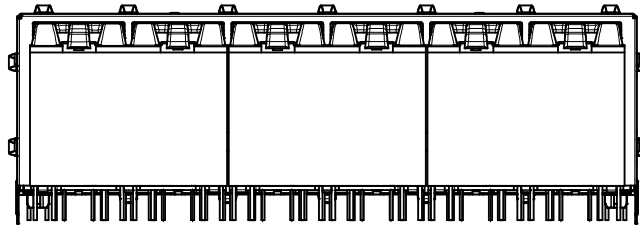
P/N: 85731-XXXX
S/N: YYMMDD-CM-CONSECUTIVE NUMBER

PRINTING

NOTE 3



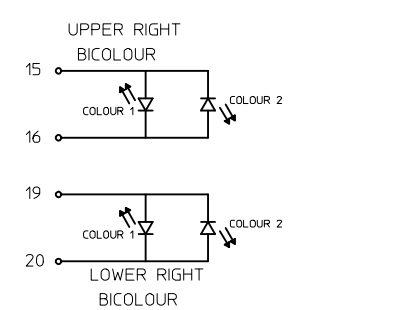
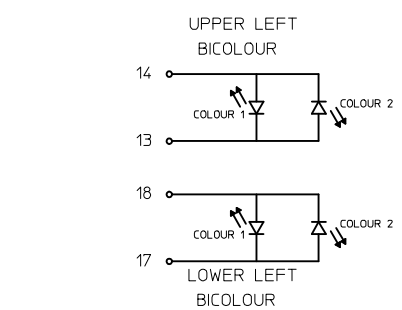
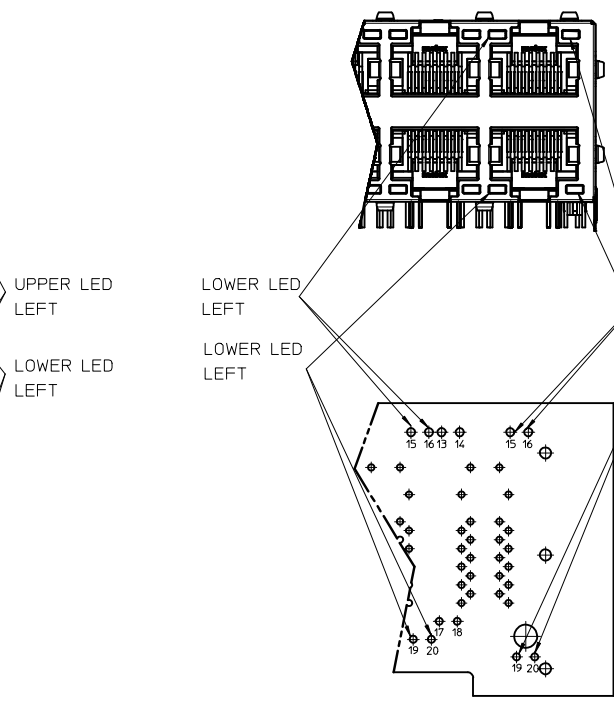
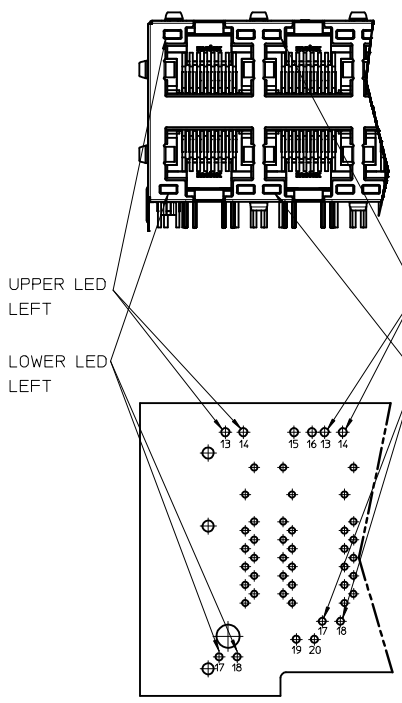
SUGGESTED PANEL CUT OUT



NOTES:

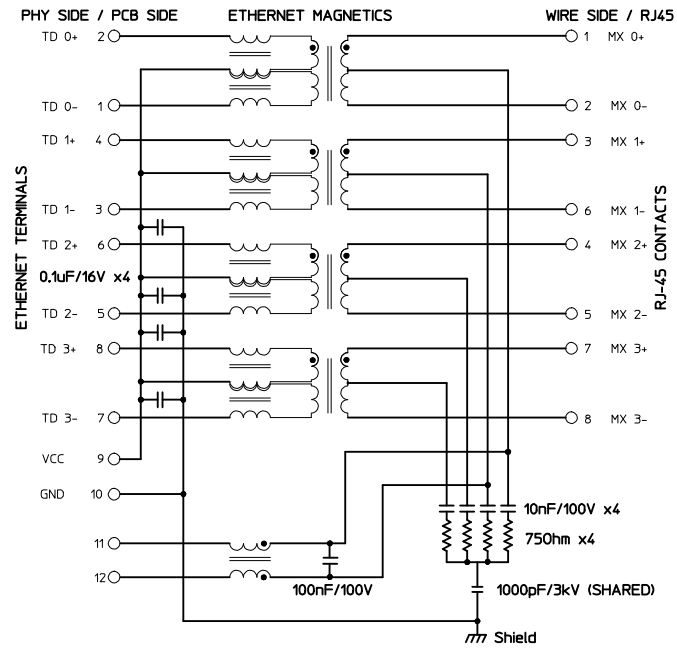
- 1 - PRINTING MARKED BY LASER
- 2 - INSCRIPTION:
1st LINE: PART NUMBER
2nd LINE: DATE CODE (YEAR, MONTH, DAY) - MANUFACTURER ID - CONSECUTIVE NUMBER
- 3 - UL LOGO

SHIELD LATCH ADDED EC NO: IFC2016-1423 DRWN: JBADER 2016/04/20 CHKD: MMANGARUDOV 2016/04/20 APPR: SSTE INKE 2016/04/21	QUALITY SYMBOLS	GENERAL TOLERANCES (UNLESS SPECIFIED)	DIMENSION STYLE MM ONLY	SCALE 2:1	DESIGN UNITS METRIC	THIRD ANGLE PROJECTION																											
	$\nabla=0$ $\nabla=0$	<table border="1"> <thead> <tr> <th></th> <th>mm</th> <th>INCH</th> </tr> </thead> <tbody> <tr> <td>4 PLACES</td> <td>± ---</td> <td>± ---</td> </tr> <tr> <td>3 PLACES</td> <td>± ---</td> <td>± ---</td> </tr> <tr> <td>2 PLACES</td> <td>± 0.25</td> <td>± ---</td> </tr> <tr> <td>1 PLACE</td> <td>± 0.5</td> <td>± ---</td> </tr> </tbody> </table>		mm	INCH	4 PLACES	± ---	± ---	3 PLACES	± ---	± ---	2 PLACES	± 0.25	± ---	1 PLACE	± 0.5	± ---	<table border="1"> <thead> <tr> <th>DRAWN BY</th> <th>DATE</th> <th>TITLE</th> </tr> </thead> <tbody> <tr> <td>JBADER</td> <td>2010/09/28</td> <td rowspan="4">GIGABIT MAGNETIC JACK POE PLUS ENABLED 2X6 LED</td> </tr> <tr> <td>CHECKED BY</td> <td>DATE</td> </tr> <tr> <td>MMANGARUDOV</td> <td>2010/09/28</td> </tr> <tr> <td>APPROVED BY</td> <td>DATE</td> </tr> </tbody> </table>	DRAWN BY	DATE	TITLE	JBADER	2010/09/28	GIGABIT MAGNETIC JACK POE PLUS ENABLED 2X6 LED	CHECKED BY	DATE	MMANGARUDOV	2010/09/28	APPROVED BY	DATE	MOLEX INCORPORATED		SHEET NO. 3 OF 4
		mm	INCH																														
	4 PLACES	± ---	± ---																														
3 PLACES	± ---	± ---																															
2 PLACES	± 0.25	± ---																															
1 PLACE	± 0.5	± ---																															
DRAWN BY	DATE	TITLE																															
JBADER	2010/09/28	GIGABIT MAGNETIC JACK POE PLUS ENABLED 2X6 LED																															
CHECKED BY	DATE																																
MMANGARUDOV	2010/09/28																																
APPROVED BY	DATE																																
DRAFT WHERE APPLICABLE MUST REMAIN WITHIN DIMENSIONS	MATERIAL NO. SEE SHEET 1	DOCUMENT NO. SD-85731-001																															
	SIZE A2	THIS DRAWING CONTAINS INFORMATION THAT IS PROPRIETARY TO MOLEX INCORPORATED AND SHOULD NOT BE USED WITHOUT WRITTEN PERMISSION																															



UPPER POSITION	LOWER POSITION	LEFT COLOUR	LED COLOUR
14	18	+	-
13	17	-	+

UPPER POSITION	LOWER POSITION	RIGHT COLOUR	LED COLOUR
15	19	+	-
16	20	-	+



PIN	ETHERNET MAGNETICS
10	GND
9	Vcc
8	TD 3+
7	TD 3-
6	TD 2+
5	TD 2-
4	TD 1+
3	TD 1-
2	TD 0+
1	TD 0-
11	PWR 1-2
12	PWR 3-6

POWER-SUPPLY POLARITY DEFINITION
 TO ACHIEVE PoE POWER ASSIGNMENT
 ACCORDING IEEE 802.3at
 ALTERNATIVE A:

PIN 11	Vc-	Vc+
PIN 12	Vc+	Vc-

NO CHANGE EC NO: IFC2016-1423 DRWN: JBADER 2016/04/20 CHKD: MMANGARUDOV 2016/04/20 APPR: SSTEINKE 2016/04/21	QUALITY SYMBOLS ▽=0 ▽=0	GENERAL TOLERANCES (UNLESS SPECIFIED)		DIMENSION STYLE MM ONLY		SCALE 2:1	DESIGN UNITS METRIC	THIRD ANGLE PROJECTION
		4 PLACES ± --- ± --- 3 PLACES ± --- ± --- 2 PLACES ± 0.25 ± --- 1 PLACE ± 0.5 ± --- ANGULAR ± .5°	DRAWN BY JBADER DATE 2010/09/28	CHECKED BY MMANGARUDOV DATE 2010/09/28	TITLE GIGABIT MAGNETIC JACK POE PLUS ENABLED 2X6 LED			
		DRAFT WHERE APPLICABLE MUST REMAIN WITHIN DIMENSIONS	APPROVED BY SSTEINKE DATE 2013/01/28	MATERIAL NO. SEE SHEET 1	DOCUMENT NO. SD-85731-001	SHEET NO. 4 OF 4		
		THIS DRAWING CONTAINS INFORMATION THAT IS PROPRIETARY TO MOLEX INCORPORATED AND SHOULD NOT BE USED WITHOUT WRITTEN PERMISSION						