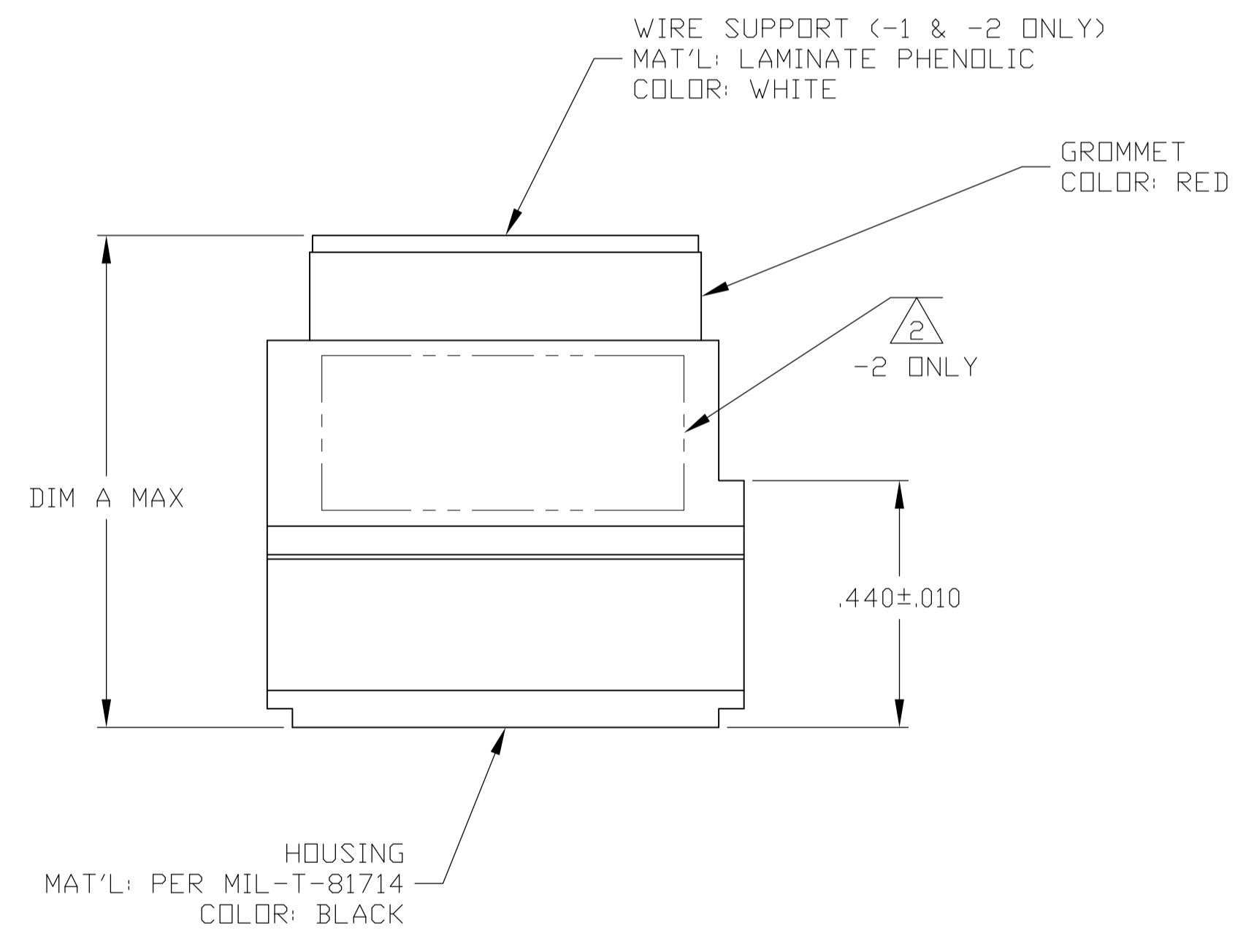
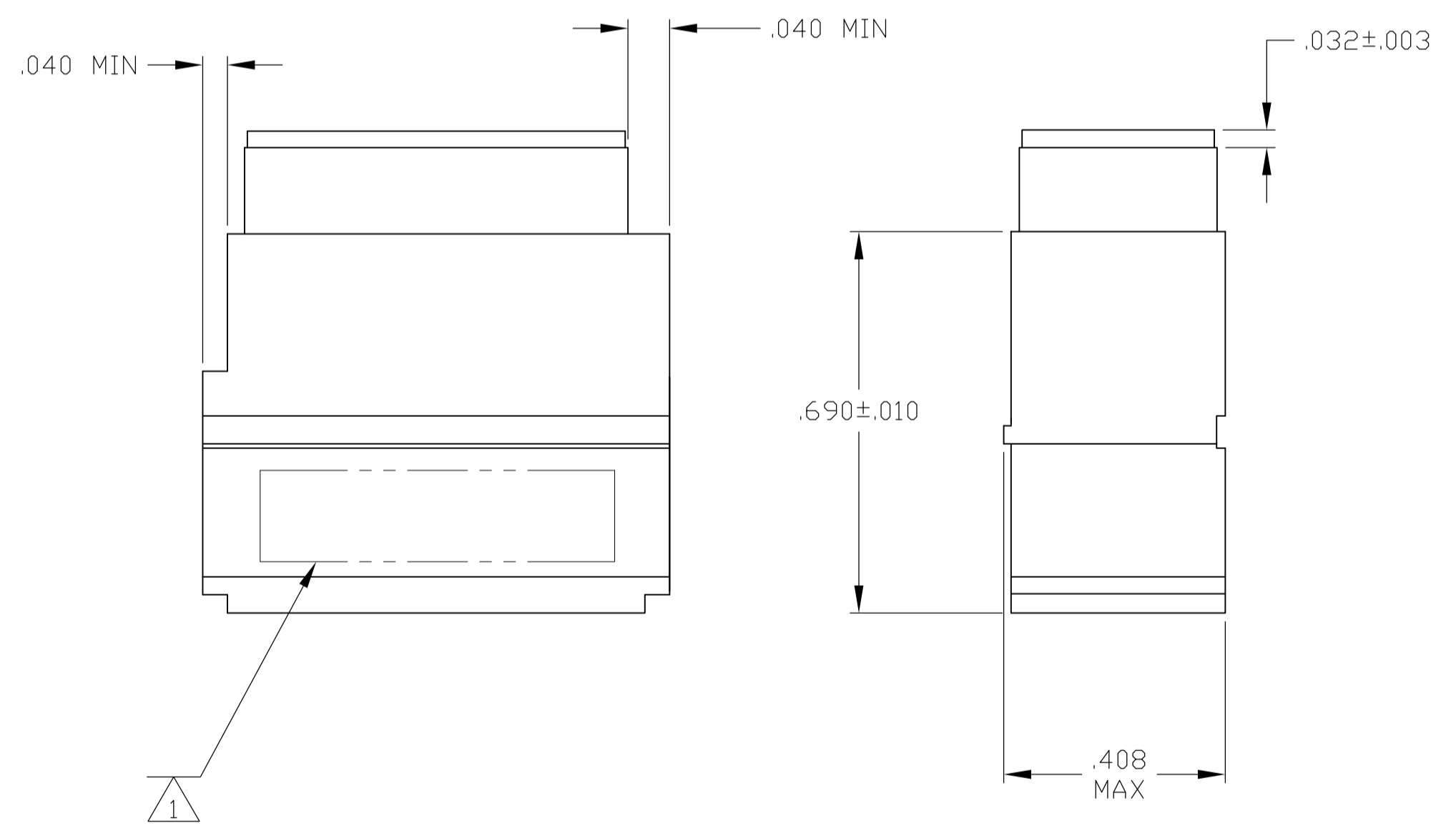
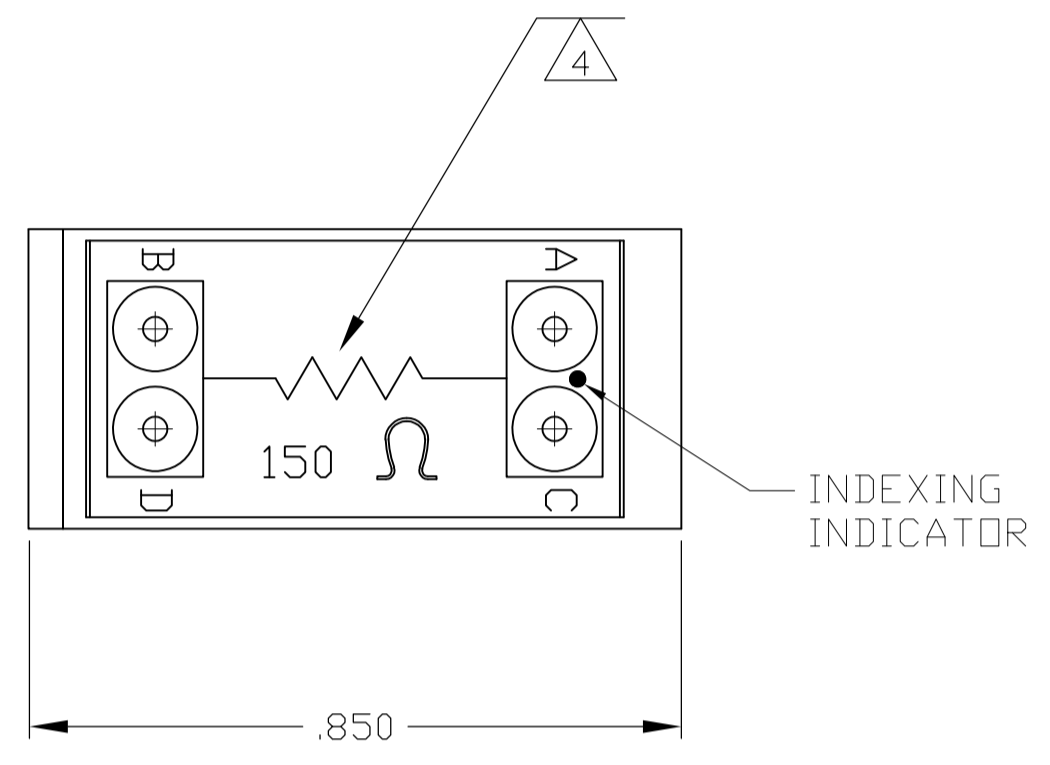


DESCRIPTION	MATERIAL	FINISH
MODULE ASSEMBLY	THERMOSET EPOXY	COLOR: BLACK
GROMMET	FLUORSILICONE RUBBER PER MIL-T-81714, CLASS B	COLOR: RED
CONTACT SOCKET	BERYLLIUM COPPER ASTM-B-194	GOLD PLATE PER ASTM-B-488
RETAINING CLIP	BERYLLIUM COPPER ASTM-B-194 OR STAINLESS STEEL PER QQ-S-766	NONE
RESISTOR (QTY=1)	RLR20C1500GS 150 Ω	NONE

- 1 MODULE ASSEMBLY MARKED WITH GAGE CODE "00779", "AMP", AMP PART NO. AND DATE CODE .060 MINIMUM CHARACTERS
- 2 CUSTOMER PART NO. (SEE TABLE) MARKED IN AREA SHOWN. -2 ONLY.
- 3 FOUR PIN CONTACTS (M39029/1-101) ARE PACKAGED SEPARATELY WITH CONNECTOR.
- 4 MARKING FOR WIRE SUPPORT IS IN CONTRASTING COLORS.

REVISIONS				
REV	LYR	DESCRIPTION	DATE	BY
B		REV PER ECD 16-015310	11-22-16	CT



DIM A	CUSTOMER PART NO.	PART NO.
.847	--	591829-3
.885	110-121-1	591829-2
.885	--	591829-1

THIS DRAWING IS A CONTROLLED DOCUMENT.		DWN C. C. THOMAS 12-2-03	01 BEC03
DIMENSIONS IN INCHES		CHK D. EBY 12-2-03	
TOLERANCES UNLESS OTHERWISE SPECIFIED:		APVD D. EBY	NAME REMOVABLE MODULE BLOCK WITH RESISTOR, SIZE 20, TJ
0 PLC	± -	PRODUCT SPEC	
1 PLC	± -	APPLICATION SPEC	
2 PLC	± -		
3 PLC	± .005		
4 PLC	± -		
ANGLES	± -		
MATERIAL	FINISH	WEIGHT 0.000000	SIZE A1
		CAGE CODE 00779	DRAWING NO. 591829
		CUSTOMER DRAWING	RESTRICTED TO
		SCALE 4:1	SHEET 1 OF 1