

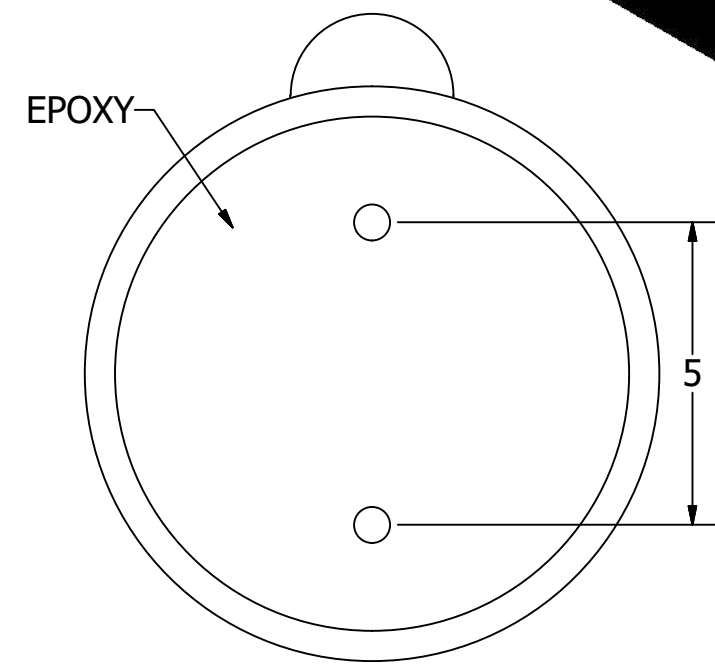
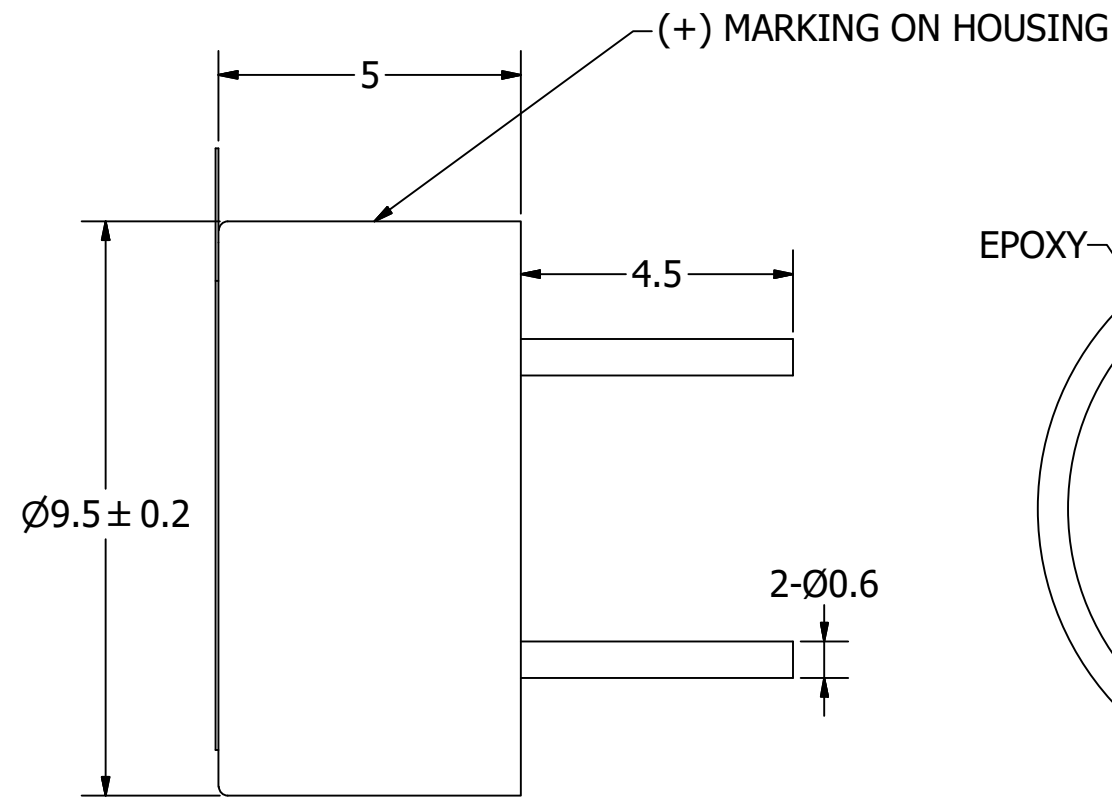
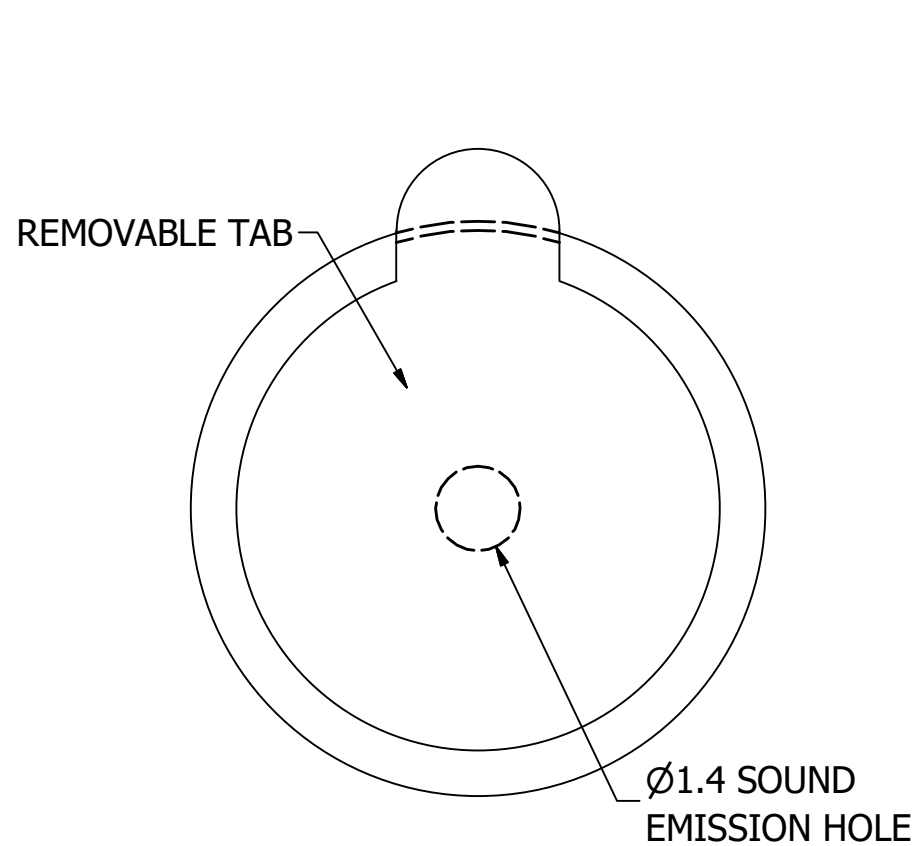
SPECIFICATIONS

PARAMETERS	VALUES	UNITS
RATED VOLTAGE	3	Vdc
OPERATING VOLTAGE RANGE	2 ~ 5	Vdc
RATED CURRENT (MAX)	30	mA
MINIMUM SPL @ 10 CM	80	dBA
RESONANT FREQUENCY	2,700 ± 300	Hz
tone OR PULSE RATE	CONTINUOUS	0 pulse /sec
OPERATING TEMPERATURE	-30 ~ +70	°C
STORAGE TEMPERATURE	-40 ~ +85	°C
HOUSING MATERIAL	PBT	-
TERMINAL MATERIAL	Sn PLATED RED COPPER	-
WEIGHT	1	grams

THIS DOCUMENT CONTAINS DATA PROPRIETARY TO PROJECTS UNLIMITED, INC. ANY USE OR REPRODUCTION, IN ANY FORM, WITHOUT PRIOR WRITTEN PERMISSION OF PROJECTS UNLIMITED, INC. IS PROHIBITED.
©2003, Projects Unlimited Inc.

REVISION HISTORY

LTR	DESCRIPTION	DATE	APPROVED
-	RELEASED FROM ENGINEERING	4/29/2005	
A	ADDED POSITIVE TERMINAL LOCATION	11/3/2006	B.R.
B	REMOVED PRODUCT LABELING	8/7/2008	B.R.
C	REVISED TO INVENTOR 3-D DRAWING TEMPLATE	11/9/2008	B.R.
D	REMOVED POLARITY INDICATION FROM WASH TAB AND UPDATED HOUSING MATERIAL TO PBT	10/21/2015	B.R.
E	ADJUST RESONANT FREQUENCY TOLERANCE TO 300Hz	9/13/2017	M.L.
F	REVISED OPERATING TEMPERATURE	2/14/2020	M.L.



NOTES:

1. ALL DIMENSIONS ARE IN MILLIMETERS.
2. SPECIFICATIONS SUBJECT TO CHANGE OR WITHDRAWL WITHOUT NOTICE.
3. THIS PART IS RoHS 2011/65/EU COMPLIANT.

UNLESS OTHERWISE SPECIFIED: DIMENSIONS ARE IN MILLIMETERS, TOLERANCES ARE ±0.5 AND ANGLES ARE ±3°.	SIZE A3	Designed by	Date	Checked by	Date	Approved by	Date	Drawn Date
		R.A.C.	4/29/2005	B.R.	4/29/2005	R.W.	4/29/2005	11/9/2008
AI-1027-TWT-3V-R.idw				AI-1027-TWT-3V-R			Indicator	
							Edition	Sheet
							-	1 / 1