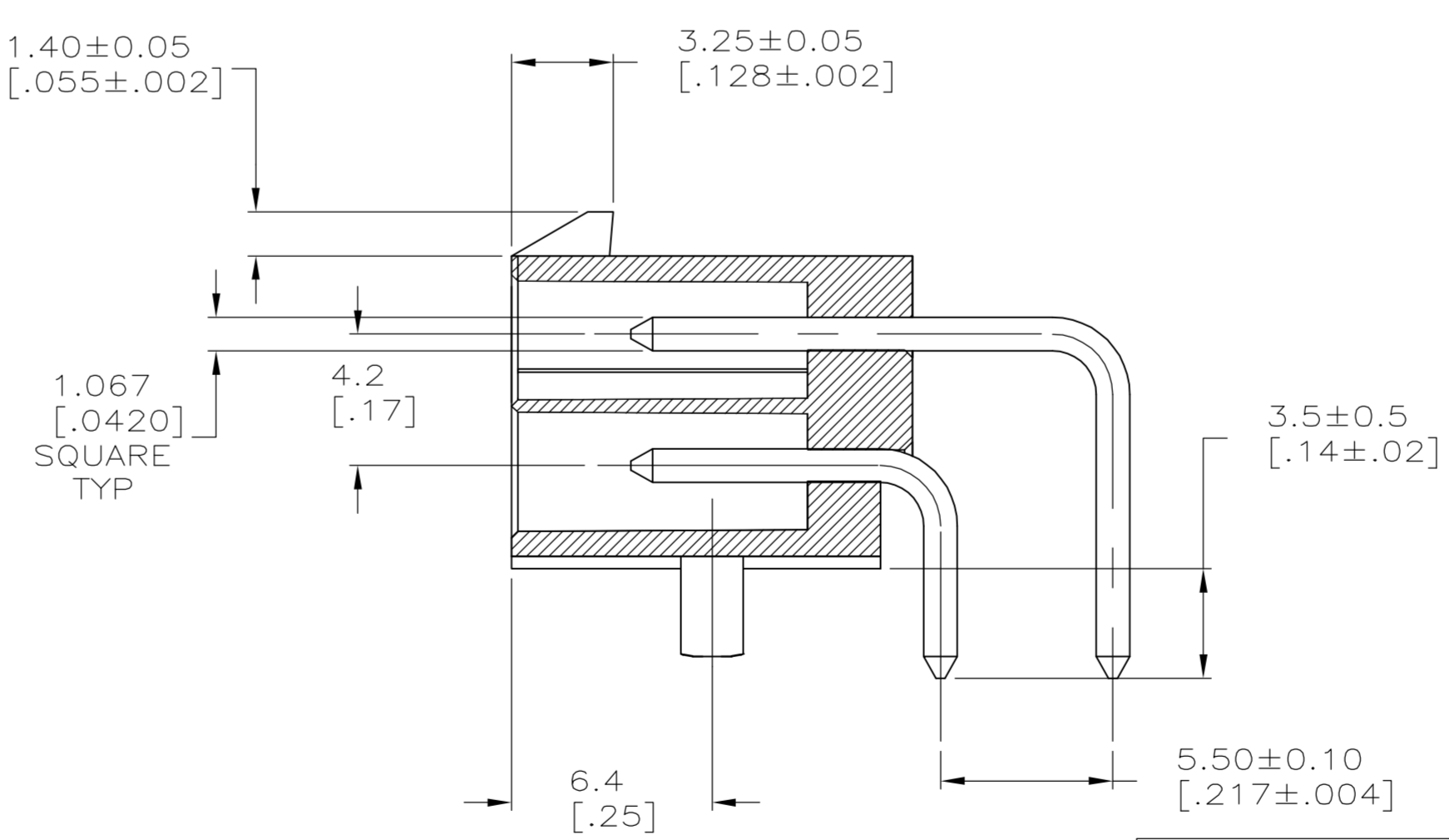
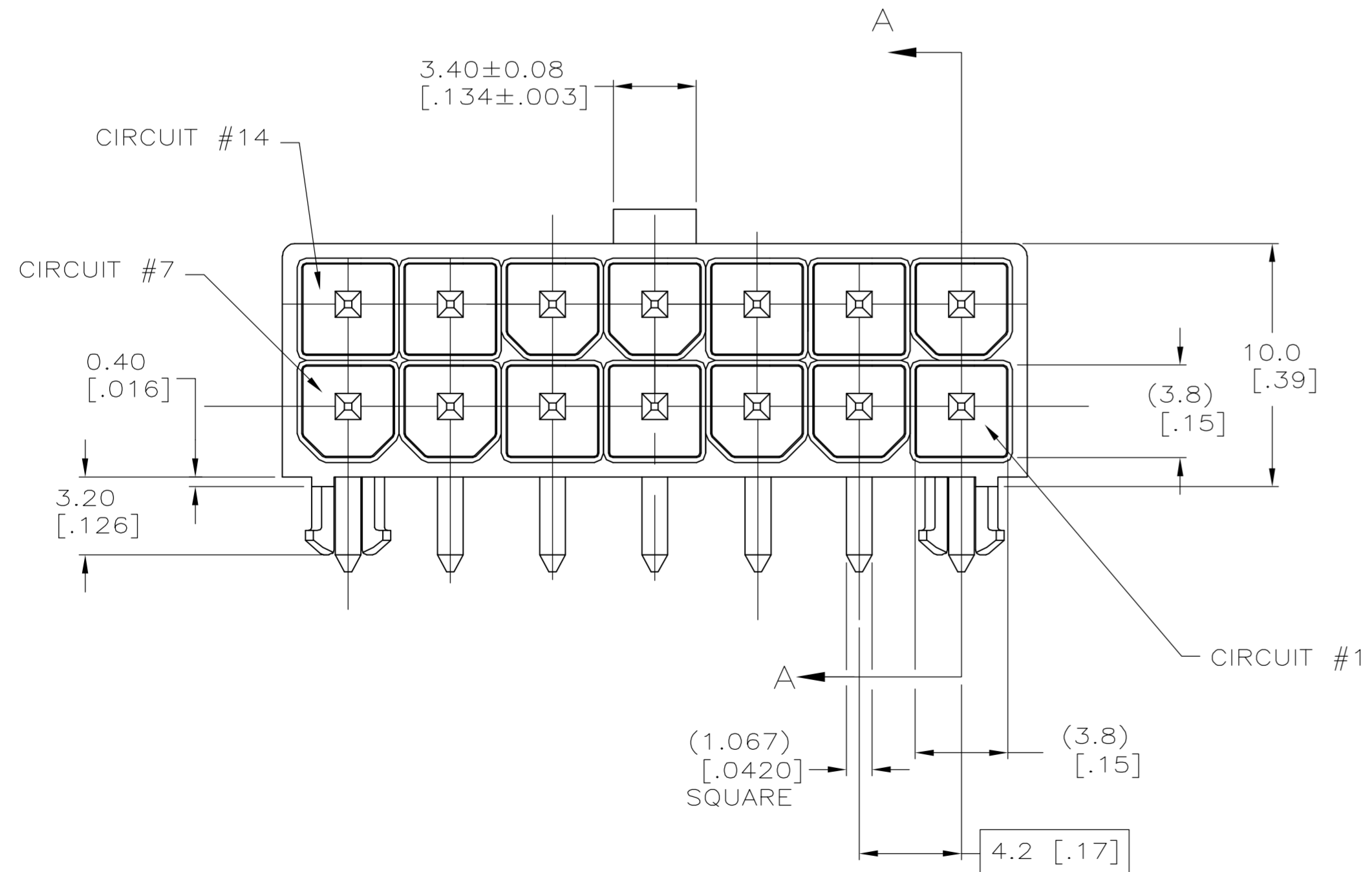
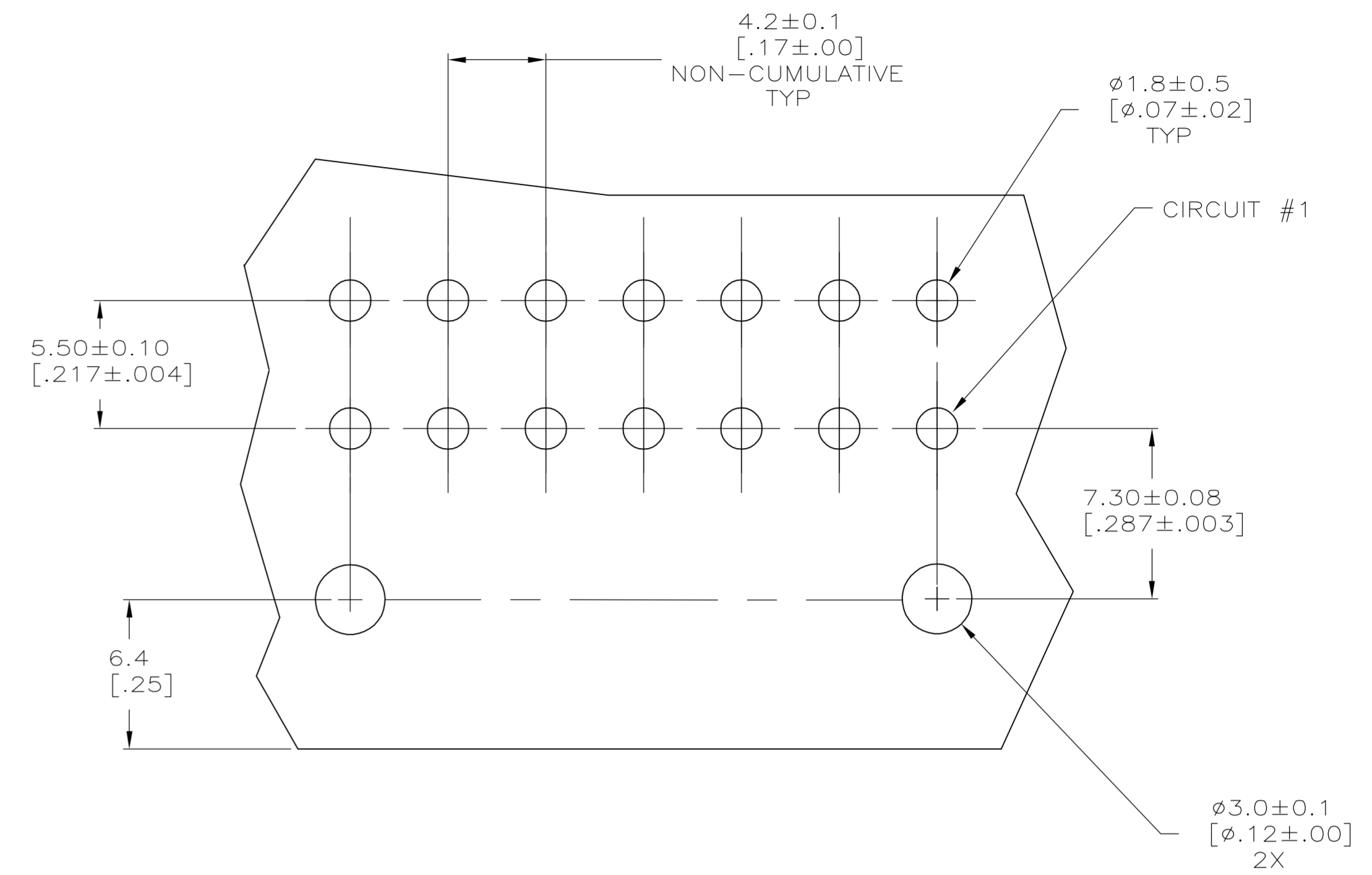
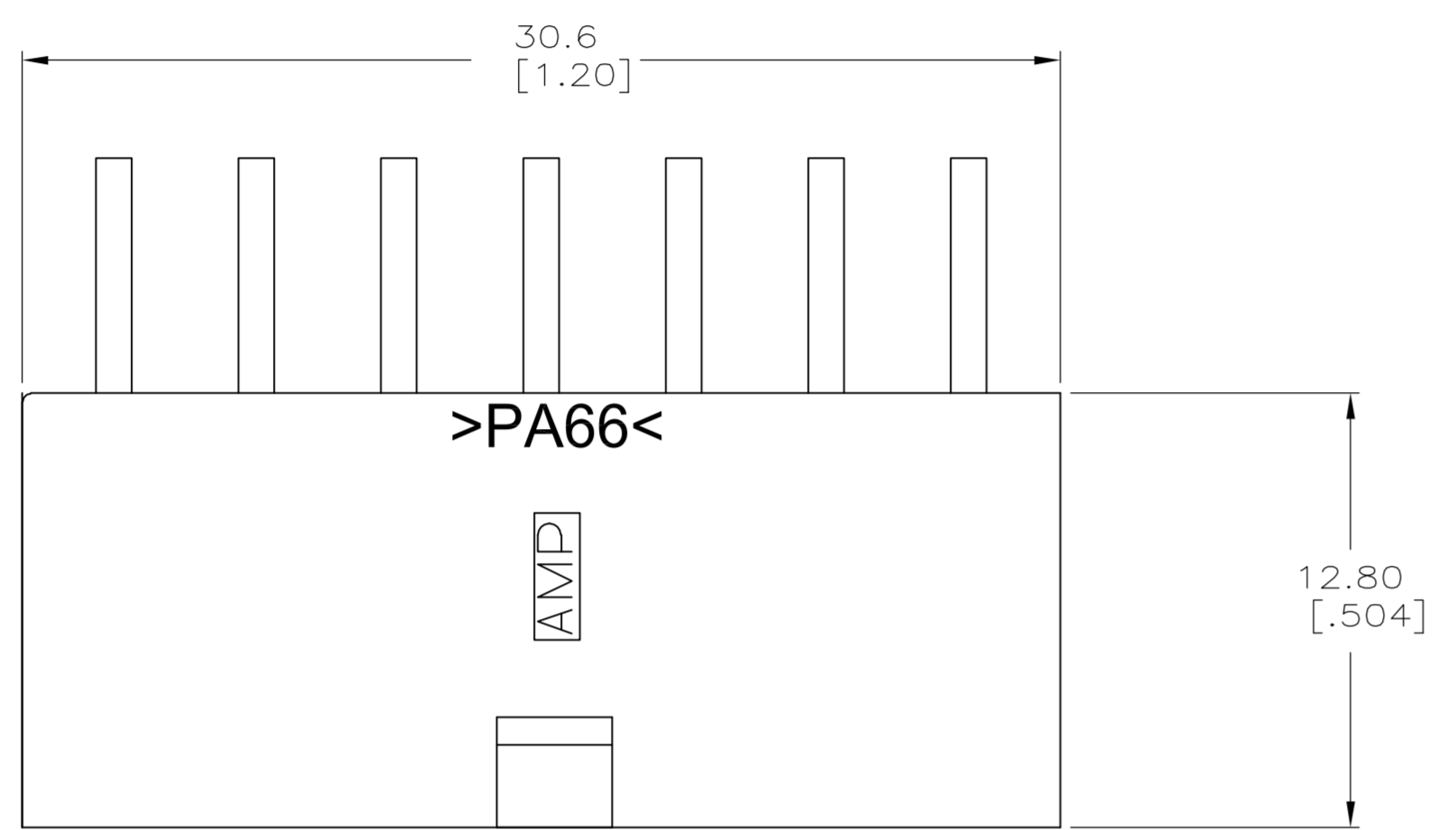


LOC		DIST		REVISIONS			
P	LTR	DESCRIPTION	DATE	DWN	APVD		
D		REVISED PER ECO-06-014735	10NOV06	KW	DC		

- 1 MATERIAL: HOUSING - NYLON, UL94V-2 (COLOR - NATURAL).  
PIN - 1.067mm<sup>2</sup> [.0017in<sup>2</sup>] COPPER ALLOY.
- 2 PINS TO COMPLY WITH SOLDERABILITY SPEC 109-11-3.
- 3 0.00381 [.000150] MINIMUM TIN LEAD OVER 0.00127 [.000050] MINIMUM NICKEL, ENTIRE LENGTH OF PIN.
- 4 NOTE DELETED.
- 5 0.00381 [.000150] MINIMUM TIN OVER 0.00127 [.000050] MINIMUM NICKEL, ENTIRE LENGTH OF PIN.



SUPERSEDED BY 1-794512-1

1	5	1	1	1-794512-1
1	3	1	1	794512-1
MATERIAL		FINISH		ASSEMBLY
PIN		HOUSING		

**METRIC**

THIS DRAWING IS A CONTROLLED DOCUMENT.

DIMENSIONS:	TOLERANCES UNLESS OTHERWISE SPECIFIED:	DWN	S. HOOVER	02-MAR-2005	Tyco Electronics Corporation Harrisburg, Pa 17105-3608
mm [INCHES]		CHK	D. COLEY	02-MAR-2005	
		APVD	D. COLEY	02-MAR-2005	NAME
		PRODUCT SPEC		108-1646	
		APPLICATION SPEC		114-6067	
MATERIAL	SEE CHART	FINISH	SEE CHART	WEIGHT	A1 00779 ©=794512
CUSTOMER DRAWING				SCALE	5:1
				SHEET	1 OF 1
				REV	D