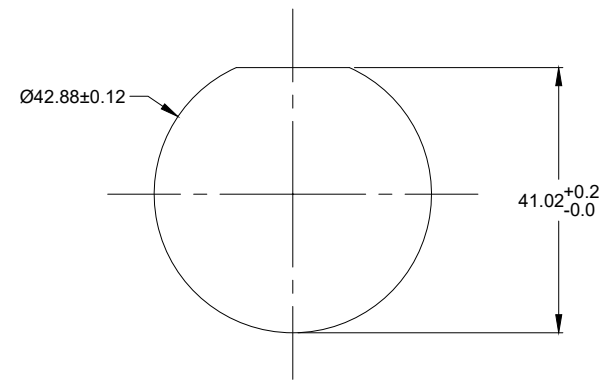
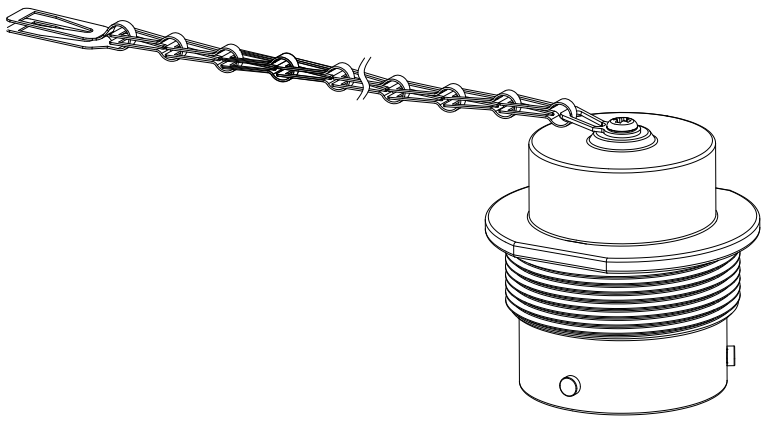
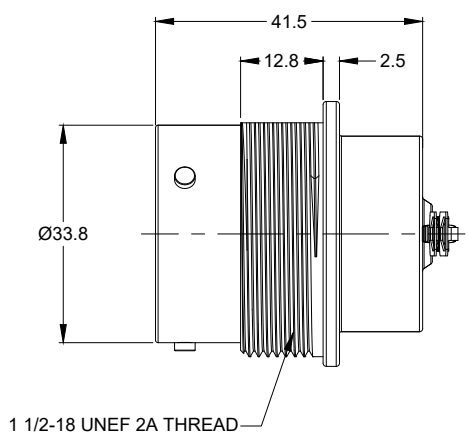


REVISIONS					
REV	ECO	DESCRIPTION	DATE	BY	APPR
A1	--	RELEASE NEW DRAWING	19/OCT/18	ROOKIE	TOMMY



RECOMMENDED PANEL MOUNTING HOLE
RECOMMENDED PANEL THICKNESS: 1.6 TO 4.7MM

NOTES: UNLESS OTHERWISE SPECIFIED

- MATERIAL:
SHELL: ALUMINUM ALLOY, NICKEL PLATED;
CHAIN: STAINLESS STEEL;
SEAL: SILICONE RUBBER.
- MATE WITH AHDM SERIES SIZE 18 PLUG (AHDM06-18-**** , * = ALL MODIFICATION) .
- IP CLASS : IP67&IP69K (MATED CONDITION) .
- RoHS COMPLIANT.
- ALL DIMENSIONS ARE FOR REFERENCE USE ONLY.

TITLE: PROTECTIVE CAP FOR PLUG,AHDM,SIZE 18
DWG NO.: AHDC34-18
REV: A1
SH: 1
OF: 1

AHDC34-18		DESCRIPTION		ITEM								
PART NUMBER		DESCRIPTION		ITEM								
QUANTITY	MATERIALS LIST											
UNLESS OTHERWISE SPECIFIED 1) All dimensions are in metric(mm). 2) Tolerances are as follows: 1 PL DEC ±0.30 Fractions ±1/64 2 PL DEC ±0.15 Angles ±1° 3 PL DEC ±0.08		SIGNATURES	DATE	<h1>Amphenol</h1> <p>Sine Systems - www.amphenol-sine.com 44724 Morley Drive Clinton Township, MI 48036</p>								
3) Note reference =		DRAWN: ROOKIE	19/OCT/18									
MATERIAL SPECIFICATIONS:		CHECKED: ORION	19/OCT/18									
PROCESS SPECIFICATIONS:		ENGINEER:										
NEXT ASSY:		APPROVAL: TOMMY	19/OCT/18									
		CUSTOMER:		PROTECTIVE CAP FOR PLUG,AHDM,SIZE 18								
		THIS DRAWING IS SUPPLIED FOR INFORMATION ONLY. DESIGN FEATURES, SPECIFICATIONS AND PERFORMANCE DATA SHOWN HEREON ARE THE PROPERTY OF THE AMPHENOL CORPORATION. NO RIGHTS OF REPRODUCTION ARE IMPLIED. ALL DIMENSIONS ARE SUBJECT TO NORMAL MANUFACTURING VARIATIONS.		<table border="1"> <tr> <td>SIZE</td> <td>TYPE</td> <td>DWG NO.</td> <td>REVISION</td> </tr> <tr> <td>B</td> <td>C-</td> <td>AHDC34-18</td> <td>A1</td> </tr> </table>	SIZE	TYPE	DWG NO.	REVISION	B	C-	AHDC34-18	A1
SIZE	TYPE	DWG NO.	REVISION									
B	C-	AHDC34-18	A1									
		SCALE: NONE		SHEET 1 OF 1								