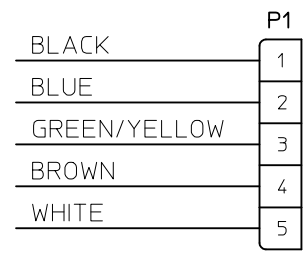
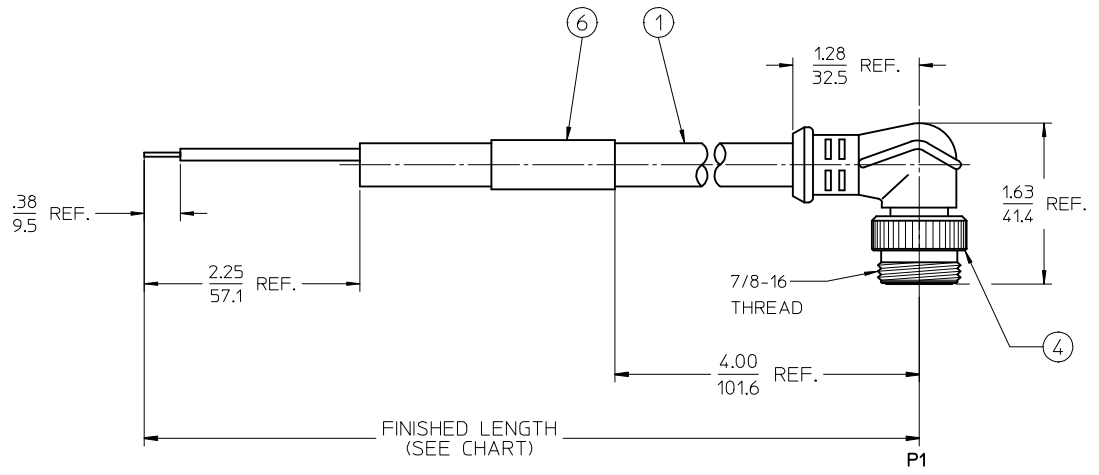


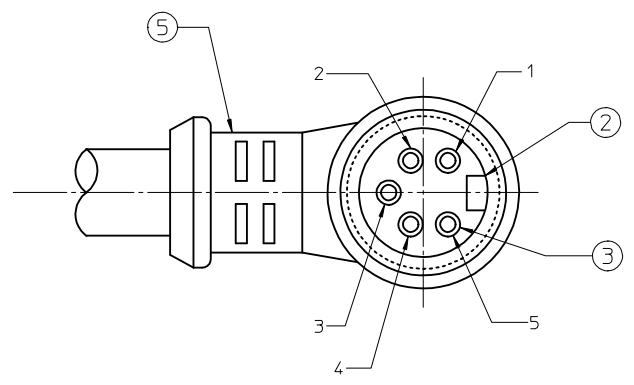
MATERIAL NO.	ENGINEERING NO.	FINISHED LENGTH
1300068143	105007B21M050	16'5" +6.50"-0 (5M +165.1mm-0)
1300068144	105007B21M100	32'10" +12.50"-0 (10M +317.5mm-0)
1300068145	105007B21M200	65'7" +24.50"-0 (20M +622.3mm-0)
1300068146	105007B21M300	98'5" +24.50"-0 (30M +622.3mm-0)

NOTES:

- MATERIAL: SEE TABLE
- FINISHES: SEE TABLE
- ELECTRICAL SPECIFICATIONS
VOLTAGE RATING: 300V AC/DC
CURRENT RATING: 8 AMPS
- PROTECTION: IP67
- ASSEMBLY IS RoHS COMPLIANT BY EXEMPTION



WIRING DIAGRAM



MALE FACE VIEW
SCALE: 2X

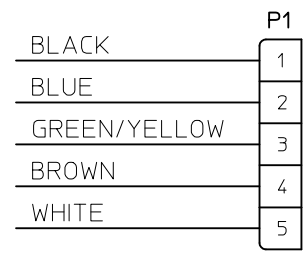
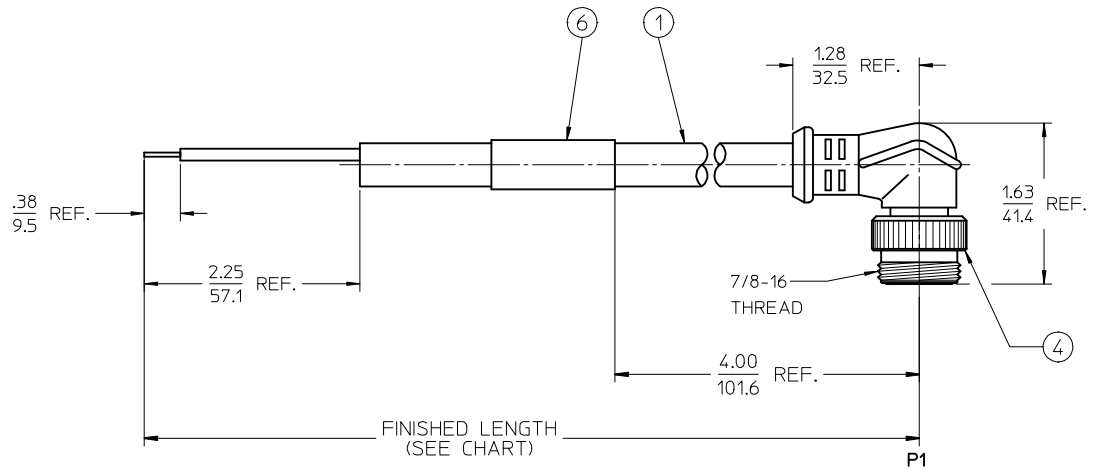
6	1	WRAP LABEL	MYLAR	BLACK/YELLOW
5	2	OVERMOLD-90 DEG	PUR	BLACK
4	1	COUPLING RING-EXT. THREAD	ZINC DIE-CAST	BLACK
3	5	CONTACT PIN	Cu ALLOY	GOLD PLATED
2	1	INSERT, 5P-MALE	PUR	BLACK
1	A/R	CABLE 5/C, 1.5mm ² (16 AWG)	PUR JACKET	GRAY
ITEM	QTY.	DESCRIPTION	MATERIAL	FINISH

RELEASED EC NO: 2012/11/12 DRWINRSTONE CHKDK JOZWIK APPR: 2012/11/26	QUALITY SYMBOLS ▽=0 ▽=0	GENERAL TOLERANCES (UNLESS SPECIFIED)		DIMENSION STYLE IN/MM	SCALE 1:1	DESIGN UNITS INCH	THIRD ANGLE PROJECTION																		
		<table border="1"> <thead> <tr> <th></th> <th>mm</th> <th>INCH</th> </tr> </thead> <tbody> <tr> <td>4 PLACES</td> <td>± ---</td> <td>± ---</td> </tr> <tr> <td>3 PLACES</td> <td>± ---</td> <td>± ---</td> </tr> <tr> <td>2 PLACES</td> <td>± ---</td> <td>± .01</td> </tr> <tr> <td>1 PLACE</td> <td>± 0.3</td> <td>± ---</td> </tr> <tr> <td>0 PLACE</td> <td>± ---</td> <td>± ---</td> </tr> </tbody> </table>		mm	INCH	4 PLACES	± ---	± ---	3 PLACES	± ---	± ---	2 PLACES	± ---	± .01	1 PLACE	± 0.3	± ---	0 PLACE	± ---	± ---	DRAWN BY: RSTONE DATE: 2012/11/12	CHECKED BY: K JOZWIK DATE: 2012/11/26	MINI CHANGE CABLE ASSY. 5P MP, 90 DEGREE 1.5MM² (16 AWG) PUR		
		mm	INCH																						
	4 PLACES	± ---	± ---																						
3 PLACES	± ---	± ---																							
2 PLACES	± ---	± .01																							
1 PLACE	± 0.3	± ---																							
0 PLACE	± ---	± ---																							
	ANGULAR ± 2 °	MATERIAL NO. SEE CHART	DOCUMENT NO. SD-130006-046	SHEET NO. 1 OF 1																					
	DRAFT WHERE APPLICABLE MUST REMAIN WITHIN DIMENSIONS	THIS DRAWING CONTAINS INFORMATION THAT IS PROPRIETARY TO MOLEX. INCORPORATED AND SHOULD NOT BE USED WITHOUT WRITTEN PERMISSION																							

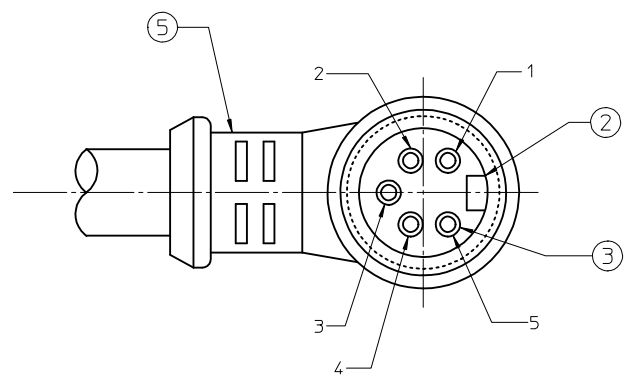
MATERIAL NO.	ENGINEERING NO.	FINISHED LENGTH
1300068143	105007B21M050	16'5" +6.50"-0 (5M +165.1mm-0)
1300068144	105007B21M100	32'10" +12.50"-0 (10M +317.5mm-0)
1300068145	105007B21M200	65'7" +24.50"-0 (20M +622.3mm-0)
1300068146	105007B21M300	98'5" +24.50"-0 (30M +622.3mm-0)

NOTES:

1. MATERIAL: SEE TABLE
2. FINISHES: SEE TABLE
3. ELECTRICAL SPECIFICATIONS
VOLTAGE RATING: 300V AC/DC
CURRENT RATING: 8 AMPS
4. PROTECTION: IP67
5. ASSEMBLY IS RoHS COMPLIANT BY EXEMPTION



WIRING DIAGRAM



MALE FACE VIEW
SCALE: 2X

6	1	WRAP LABEL	MYLAR	BLACK/YELLOW
5	2	OVERMOLD-90 DEG	PUR	BLACK
4	1	COUPLING RING-EXT. THREAD	ZINC DIE-CAST	BLACK
3	5	CONTACT PIN	Cu ALLOY	GOLD PLATED
2	1	INSERT, 5P-MALE	PUR	BLACK
1	A/R	CABLE 5/C, 1.5mm ² (16 AWG)	PUR JACKET	GRAY
ITEM	QTY.	DESCRIPTION	MATERIAL	FINISH

RELEASED EC NO: 2012/11/12 DRWINRSTONE CHKDK JOZWIK APPR: 2012/11/26	QUALITY SYMBOLS ▽=0 ▽=0	GENERAL TOLERANCES (UNLESS SPECIFIED) <table border="1"> <thead> <tr> <th></th> <th>mm</th> <th>INCH</th> </tr> </thead> <tbody> <tr> <td>4 PLACES</td> <td>± .005</td> <td>± .0004</td> </tr> <tr> <td>3 PLACES</td> <td>± .005</td> <td>± .0004</td> </tr> <tr> <td>2 PLACES</td> <td>± .005</td> <td>± .0004</td> </tr> <tr> <td>1 PLACE</td> <td>± 0.3</td> <td>± .0118</td> </tr> <tr> <td>0 PLACE</td> <td>± .005</td> <td>± .0004</td> </tr> </tbody> </table>		mm	INCH	4 PLACES	± .005	± .0004	3 PLACES	± .005	± .0004	2 PLACES	± .005	± .0004	1 PLACE	± 0.3	± .0118	0 PLACE	± .005	± .0004	DIMENSION STYLE IN/MM DRAWN BY: RSTONE DATE: 2012/11/12 CHECKED BY: K JOZWIK DATE: 2012/11/26 APPROVED BY:	SCALE 1:1 DESIGN UNITS INCH THIRD ANGLE PROJECTION	TITLE MINI CHANGE CABLE ASSY. 5P MP, 90 DEGREE 1.5MM² (16 AWG) PUR molex	MATERIAL NO. SEE CHART SIZE: C	DOCUMENT NO. SD-130006-046	SHEET NO. 1 OF 1
		mm	INCH																							
	4 PLACES	± .005	± .0004																							
	3 PLACES	± .005	± .0004																							
2 PLACES	± .005	± .0004																								
1 PLACE	± 0.3	± .0118																								
0 PLACE	± .005	± .0004																								
DRAFT WHERE APPLICABLE MUST REMAIN WITHIN DIMENSIONS		THIS DRAWING CONTAINS INFORMATION THAT IS PROPRIETARY TO MOLEX INCORPORATED AND SHOULD NOT BE USED WITHOUT WRITTEN PERMISSION																								