

SPECIFICATIONS:

Insulation Resistance: 500MΩ min. at 500V DC
 Withstanding Voltage: 500Vrms for 1min
 Voltage Rating: 50Vrms AC
 Current Rating: 0.5A
 Contact Resistance: 50mΩ max. at 20mV max.
 Operating Temp.: - 40°C ~ +60°C
 Mating Cycle: 20 times

MATERIALS AND FINISH:

- Contacts: Copper Alloy
- Actuator: PA9T
- Insulator: LCP
- SMT Tabs: Copper Alloy

FEATURES:

- ZIF type mating interface
- Audible click feedback on locking
- Supports transmission speed up to 3Gbps for LVDS, HDMI, SATA signals
- RoHS and REACH Compliant

**3Gbps
Transmission**

PART NUMBER:

HF601-XX-XX

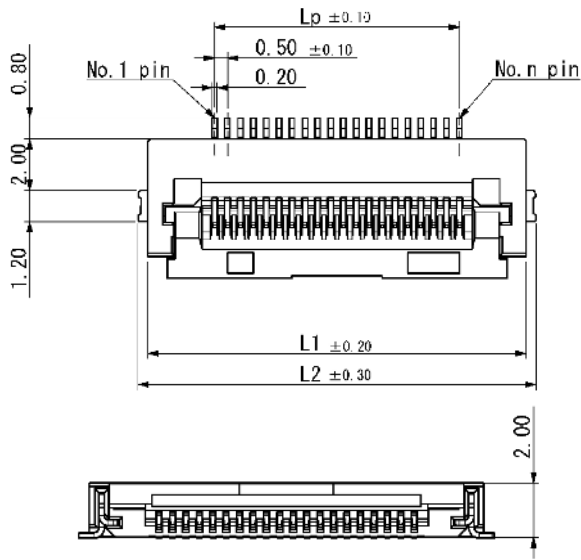
Series Name ↑

Pin Counts: ↑
10, 20, 26, 30, 40, 50, 60

Mounting Option: ↑
0 = R/A Mount
1 = Vertical Mount

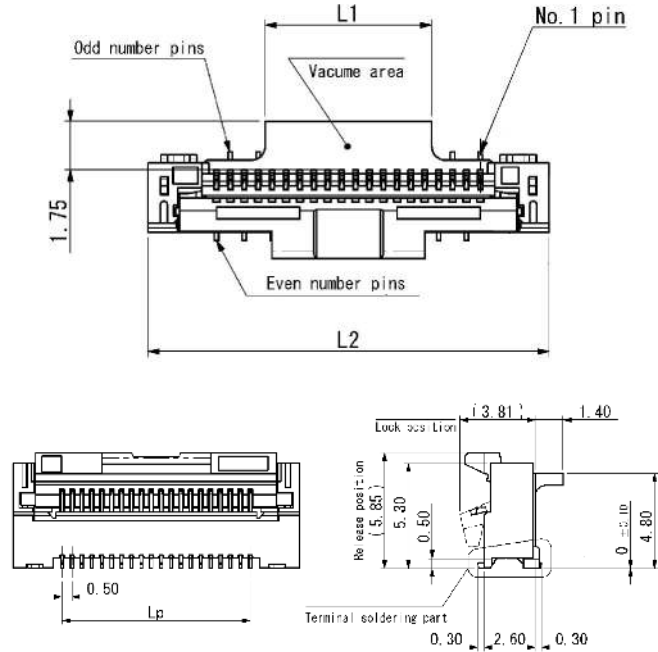
Insulator Color: ↑
2 = White
4 = Black

OUTLINE DIMENSIONS (mm):



20	9.50	14.70	15.50
26	12.50	17.70	18.50
10	4.50	9.70	10.50
60	29.50	34.70	35.50
50	24.50	29.70	30.50
45	22.00	27.20	28.00
40	19.50	24.70	25.50
30	14.50	19.70	20.50
芯数(n)	Lp	L1	L2

HF601 R/A Mount Ver.



20	9.50	6.00	14.44
50	24.50	8.00	29.44
45	22.00	8.00	26.94
40	19.50	8.00	24.44
30	14.50	8.00	19.44
芯数(n)	Lp	L1	L2

HF601 Vertical Mount Ver.

FFC, FPC Cable Connectors **HF601 Series**

HF601 FFC/FPC Connectors

- ZIF Style Connector Design
- Transmission speed: 1 ~ 3Gbps
(HF601-22-03 only)
- Pitch: 0.50 mm
- Available Pin Count: 10 – 60pins



Product PN	Available Pin Count	Description	Design Option
HF601-XX-02	10, 20, 26, 30, 40, 45, 50, 60	Receptacle Connectors	Right Angle Mount
HF601-XX-12	20, 30, 40, 45, 50	Receptacle Connectors	Vertical Mount
HF601-22-03	22	Receptacle Connectors	Right Angle Mount

CAU002 HF601 Support Cable

- FFC/FPC Cable Designs
- Offering various pin count options
(20 ~ 50pin)
- Pitch: 0.50 mm
- Available Length: 100, 600, 900mm L



Product PN	Available Pin Count	Description	Design Option
CAU002-XXX-050-XXXX	20, 30, 40, 50	HF601 Series Support FFC/FPC Cable	0.5mm Pitch, 100/600/900mm L