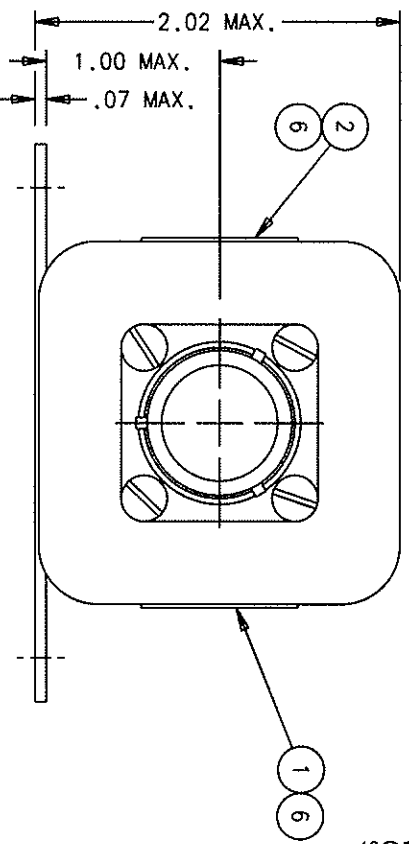
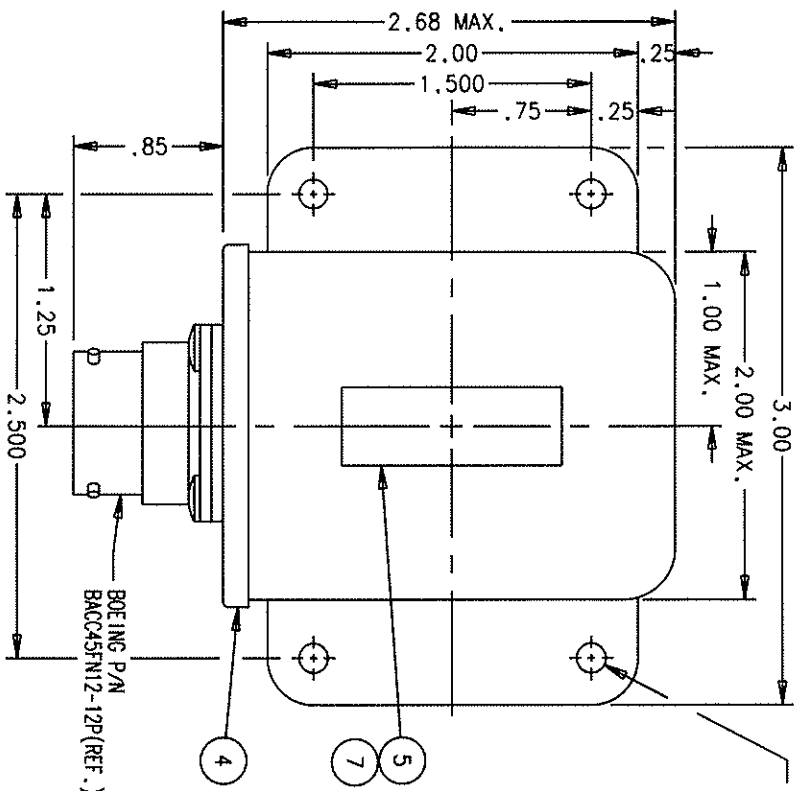


FAA-PMA

E-311P

REVOLUTIONS		RELEASED	DATE	APPROVED
SM	DESCRIPTION			
K 24150	ITEM 1 WAS 16043-001		93/06/28	WS
L 25019	UPDATED SPECIFICATIONS		93/11/03	WS
M 35449	NOTE ADDED		98/05/04	RS
N 39523	BOEING P/N* ADDED TO CONN., 3 AXES** ADDED TO 2 PLC TOL. FIND NO 7 ADDED		99/05/24	RS

3.00
2.00 MAX.
1.00 MAX.
1.56 ± .010 DIA. HOLE, 4 MTG. HOLES

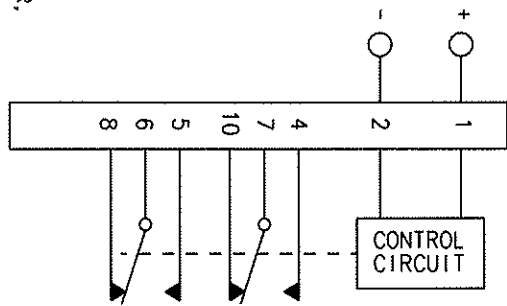


NOTE:
FAA/PMA PLATE (AND OVERLAY) NOT REQUIRED ON UNITS
SUPPLIED TO ORIGINAL EQUIPMENT MANUFACTURERS.

- ELECTRICAL
- CONTACT FORM
 - CONTACT RATING (AMPS/POLE AT 28 VDC)
 - CONTACT LIFE
 - CONTACT BOUNCE
 - DUTY CYCLE
 - NOM. OPERATING VOLTAGE
 - MAX. OPERATING VOLTAGE
 - PICK - UP VOLTAGE
 - PLCK - UP TIME
 - DROP - OUT VOLTAGE
 - DROP - OUT TIME DELAY

- INPUT VOLTAGE TRANSIENTS
- OPERATING CURRENT
- DIELECTRIC WITHSTANDING VOLTAGE
- INSULATION RESISTANCE
- ENVIRONMENTAL
- AMBIENT TEMPERATURE
- VIBRATION
- SHOCK
- ACCELERATION
- ALTITUDE
- MECHANICAL
- WEIGHT
- CONSTRUCTION SEAL

2PDT
RESISTIVE INDUCTIVE MOTOR LAMP
10
100 000 OPERATIONS MINIMUM, AT RATED
RESISTIVE LOAD
3 MILLISECONDS MAXIMUM
CONTINUOUS
28 VDC
36 VDC
24.5 ± 0.5 VDC
125 MILLISECONDS MAXIMUM
21.5 ± 0.5 VDC
200-400 MILLISECONDS WHEN THE RELAY IS
IN THE ENERGIZED POSITION AND THE
VOLTAGE DROPS BELOW 21.5 ± 0.5 VDC AND
ABOVE 15 VDC, THE RELAY WILL REMAIN
ENERGIZED FOR 200 TO 400 MILLISECONDS
BEFORE DE-ENERGIZING WHEN THE VOLTAGE
DROPS BELOW 15 VDC NO TIME DELAY IS
REQUIRED.
PER MIL-STD-704A
150 MAX. MILLIAMPS AT 25°C
1000 VRMS, 60 HZ. 1 MIL/AMP MAX. LEAKAGE
1000 MECOHMS, MINIMUM AT 500 VDC
-55°C TO +65°C (OPERATING)
-55°C TO +125°C (NON-OPERATING)
060° DA 5 TO 80 HZ, 20 G'S 80 TO 2000 HZ.
30 G'S, 11 MILLISECONDS, 1/2 SINE, 3 AXIS
20 G'S IN ANY AXIS
0 TO 80,000 FEET
10 MAX. OUNCES
ALUMINUM METAL CAN, MOUNTING FLANGES AND COVER,
SENSOR POTTED, BLACK LAQUER PAINT
SOLDER SEALED COVER, HERMETIC SEALED
CONTACTS



ITEM NO	QTY	PART OR IDENTIFYING NO	NOMENCLATURE OR DESCRIPTION	FSM NO	DRAWING OR SPECIFICATION	MATERIAL OR NOTE
7	1	39529-024	OVERLAY - FAA/PMA			
6	2	39529-001	OVERLAY - NAME PLATE			
5	1	58400-050	PLATE - FAA/PMA			
4	1	36309-010	RELAY ASSEMBLY - PRIMARY			
3						
2	1	36277-001	PLATE - WIRING DIAGRAM			
1	1	16043-055	PLATE - NAME			

UNLESS OTHERWISE SPECIFIED DIMENSIONS ARE IN INCHES TOLERANCES OR	
2 PL DEC. 3 PL DEC. ANGLES	
*.06	*.010 * 1°

CHK BY	PL S	DATE
DR BY	PL S	99/05/27
CHK BY	PL S	98/05/27
ENGR	PL S	98/05/27
MFG	PL S	99/05/27

SIZE	CODE IDENT	OWG NO.
C	74063	

SCALE	NONE	SHEET
		E-311P

HARTMAN ELECTRICAL MANUFACTURING
MANSFIELD, OHIO

RELAY - UNDERVOLTAGE
WITH TIME DELAY

093