

FIG 1
SHOWN: LSH-020-01-X-D-A

LSH-XXX-01-X-D-A-X-XX

No OF POSITIONS
-010, -020, -030, -040, -050,
(PER ROW)

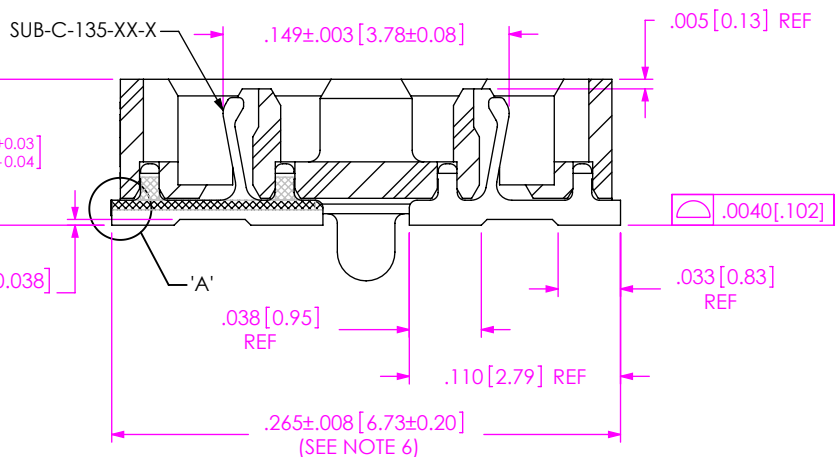
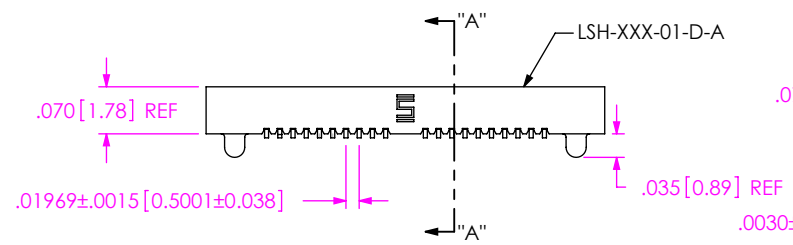
LEAD STYLE
-01: SURFACE MOUNT
(USE SUB-C-135-01-X)

PLATING SPECIFICATION
-G: 10μ" GOLD IN CONTACT AREA
3μ" GOLD ON TAIL
-H: 30μ" GOLD IN CONTACT AREA
3μ" GOLD ON TAIL

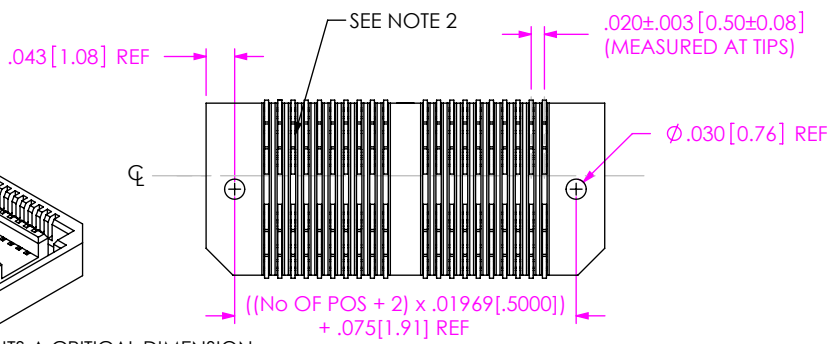
PAD
-K: POLYAMIDE FILM PAD
(USE K-DOT-.295-.406-.005, SEE FIG 2)

-A: ALIGNMENT PIN

ROW SPECIFICATION
-D: DOUBLE (USE LSH-XXX-01-D-A)

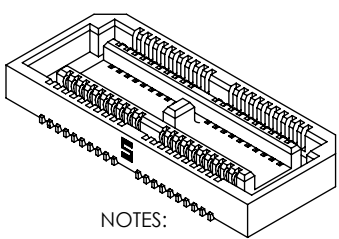


SECTION "A"-"A"
SCALE 10 : 1



SHEAR TO .004[.10]
MAX BURR

DETAIL 'A'
SCALE 20 : 1

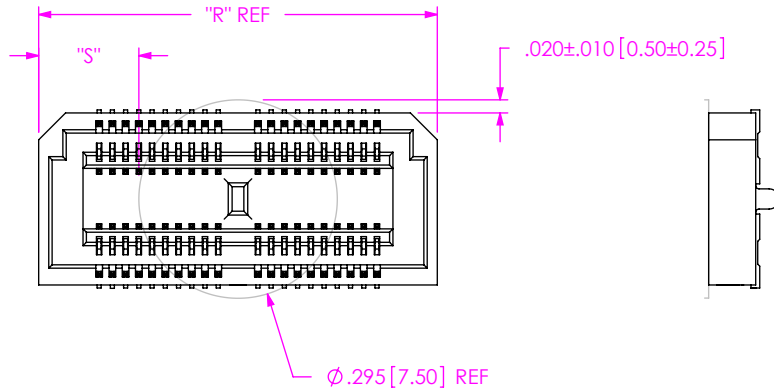


NOTES:

1. Ⓢ REPRESENTS A CRITICAL DIMENSION.
2. BURR ALLOWANCE: .001[.03] MAX IN THE MATERIAL THICKNESS DIRECTION.
3. MINIMUM PUSHOUT FORCE: 5 OZ.
4. ALL PART VARIATIONS TO BE PACKAGED IN A PT-1-24-01-97 TUBE WITH TWO TP-12 PLUGS PER TUBE EXCEPT -K OPTION WHICH WILL USE PT-1-24-02-23 AND TP-12.
5. DIMENSION APPLIES TO POST SHEARING GEOMETRY, DIMENSION INCLUDES SHEAR BURR.
6. MAX VARIATION BETWEEN ADJACENT CONTACTS TO BE .005[.13] MAX.
7. NOTE DELETED.
8. NOTE DELETED.
9. TUBES ARE STANDARD PACKAGING
10. ORDERS WILL BE PACKAGED ACCORDING TO THE SAMTEC PACKAGING EFFICIENCY STANDARDS (SPES) FOUND ON WWW.SAMTEC.COM
11. ATTACH LABEL TO EACH REEL

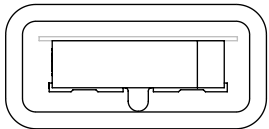
UNLESS OTHERWISE SPECIFIED, DIMENSIONS ARE IN INCHES. TOLERANCES ARE: DECIMALS ANGLES .XX: ±.01[.3] 2° .XXX: ±.005[.13] .XXXX: ±.0020[.051]	PROPRIETARY NOTE THIS DOCUMENT CONTAINS INFORMATION CONFIDENTIAL AND PROPRIETARY TO SAMTEC, INC. AND SHALL NOT BE REPRODUCED OR TRANSFERRED TO OTHER DOCUMENTS OR DISCLOSED TO OTHERS OR USED FOR ANY PURPOSE OTHER THAN THAT WHICH IT WAS OBTAINED WITHOUT THE EXPRESSED WRITTEN CONSENT OF SAMTEC, INC.	520 PARK EAST BLVD, NEW ALBANY, IN 47150 PHONE: 812-944-6733 FAX: 812-948-5047 e-Mail: info@SAMTEC.com code: 55322	
		MATERIAL: DO NOT SCALE DRAWING SHEET SCALE: 3.5:1 INSULATOR: LCP, COLOR: BLACK CONTACT: BeCu	DESCRIPTION: .5mm DOUBLE ROW SOCKET ASSEMBLY DWG. NO. LSH-XXX-01-X-D-A-X-XX

FIG 2
-K: POLYAMIDE FILM PAD
(USE K-DOT-.295-.406-.005)



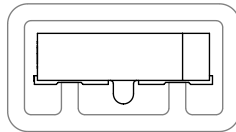
NOTE: "R" = ((No OF POSITIONS + 2) x .01969[.5000]) + .160[4.06]
"S" = (("R" - .295[7.50]) / 2) ±.020[.51]

-K OPTION PACKAGING VIEW

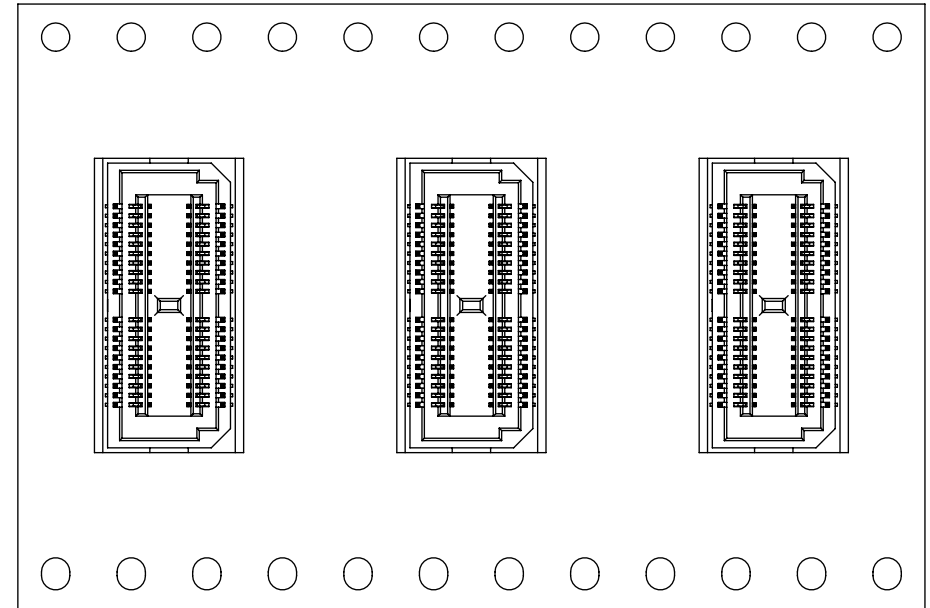


TUBE: PT-1-24-02-23
PLUG: TP-12

(PARTS TO HAVE POSITIONS #1 LOADED
IN SAME DIRECTION AS ARROW ON TUBE)
(SEE NOTE 4)



TUBE: PT-1-24-01-97
PLUG: TP-12



USER DIRECTION OF REELING →
POCKET NOT DETAILED

F:\DWG\MISC\MKTG\LSH-XXX-01-X-D-A-X-XX-MKT.SLDDRW

PROPRIETARY NOTE
THIS DOCUMENT CONTAINS INFORMATION
CONFIDENTIAL AND PROPRIETARY TO
SAMTEC, INC. AND SHALL NOT BE REPRODUCED
OR TRANSFERRED TO OTHER DOCUMENTS OR
DISCLOSED TO OTHERS OR USED FOR ANY
PURPOSE OTHER THAN THAT WHICH IT WAS
OBTAINED WITHOUT THE EXPRESSED WRITTEN
CONSENT OF SAMTEC, INC.

DO NOT SCALE DRAWING

SHEET SCALE: 3.5:1



520 PARK EAST BLVD, NEW ALBANY, IN 47150
PHONE: 812-944-6733 FAX: 812-948-5047
e-Mail: info@SAMTEC.com code: 55322

DESCRIPTION: .5mm DOUBLE ROW SOCKET ASSEMBLY

DWG. NO. LSH-XXX-01-X-D-A-X-XX

BY: ERIC M 7/1/99 SHEET 2 OF 2