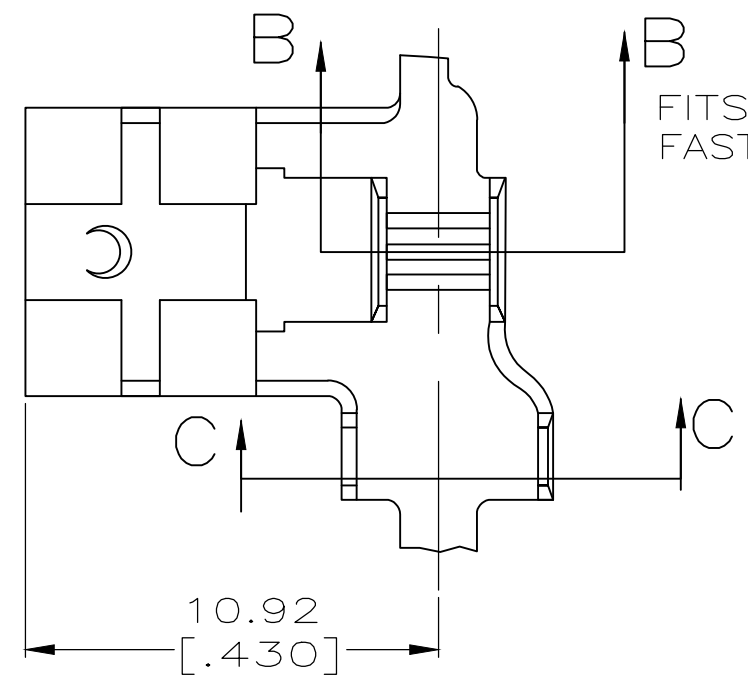
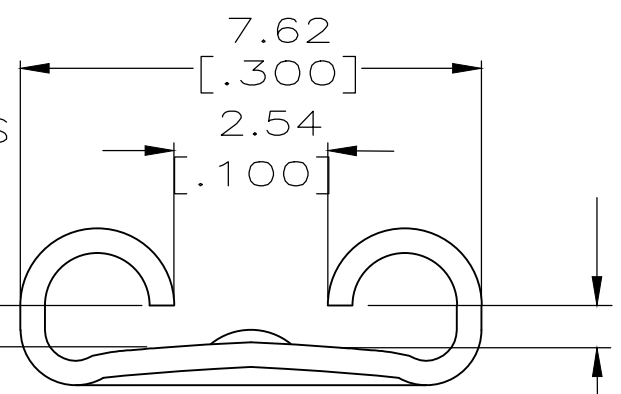


THIS DRAWING IS UNPUBLISHED. RELEASED FOR PUBLICATION
 © COPYRIGHT - By - ALL RIGHTS RESERVED.

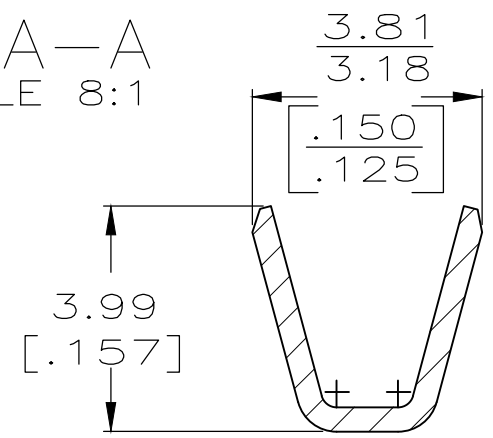
| | | | | | | | |
|-----|------|-----------|-----|---------------------------|----------|-----|------|
| LOC | DIST | REVISIONS | | | | | |
| AF | 50 | P | LTR | DESCRIPTION | DATE | DWN | APVD |
| | | | H1 | REVISED PER ECR-20-009164 | 5AUG2020 | MK | DH |



FITS .250 SERIES
FASTON TAB

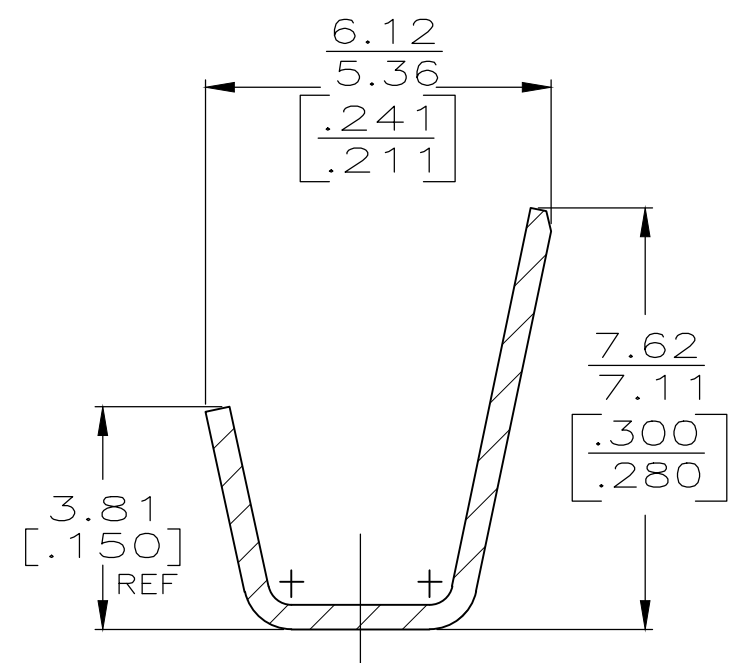


VIEW A-A
SCALE 8:1

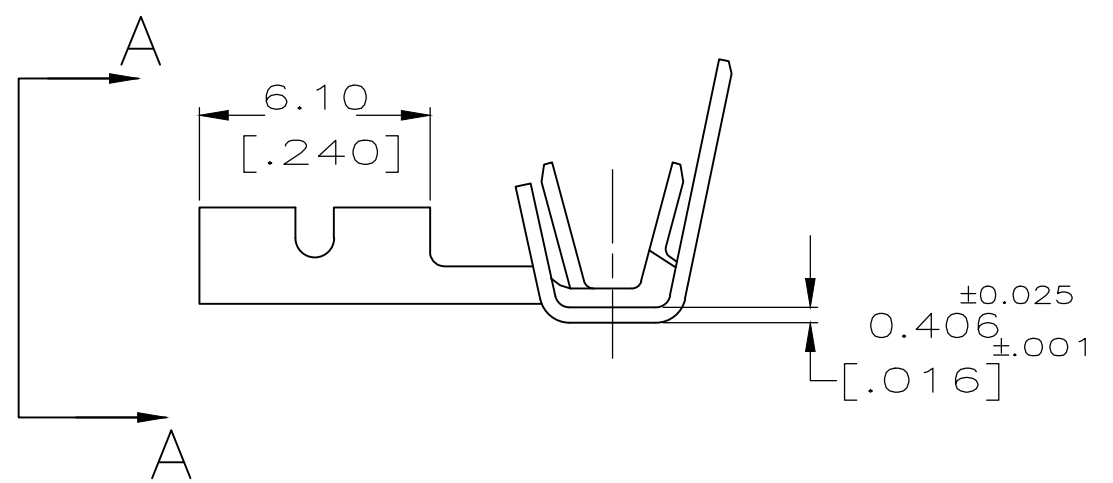


SECTION B-B
SCALE 8:1

- 1 CONTINUOUS STRIP ON REELS
- 2 TIN 0.002032 [.000080] MIN THK PER MIL-T-10727
- 3 SPECIAL REELING
- 4 PRELIMINARY - NOT FOR PRODUCTION



SECTION C-C
SCALE 8:1



| | | | | | |
|----------|--------|-------------|-------------------|----------------------|--|
| OBSOLETE | - | 2.79-5.08 | [#18-#14] | 0.84-0.76 | 3 4 63538-3 63538-2 63538-1 |
| | TIN | [.110-.200] | OR TWO [#18'S] | [.033-.030] | |
| | - | | | | |
| | FINISH | INSUL RANGE | WIRE SIZE | MATING TAB THICKNESS | PART NO |

| | | | | | | | |
|--|---------------|------------------|----------|--|----------------------------|------------|---------------|
| THIS DRAWING IS A CONTROLLED DOCUMENT. | | DWN | JR RUTH | 7/31/89 | STE TE Connectivity | | |
| DIMENSIONS: mm [INCHES] | | CHK | MS FEHER | 7/31/89 | | | |
| TOLERANCES UNLESS OTHERWISE SPECIFIED: | | APVD | R KUZO | 7/31/89 | NAME | | |
| 0 PLC | ± - | PRODUCT SPEC | | RECPT, FASTON, FLAG, LOW-INSERTION, .250 SERIES | | | |
| 1 PLC | ± - | APPLICATION SPEC | | - | | | |
| 2 PLC | ± - | - | | SIZE | CAGE CODE | DRAWING NO | RESTRICTED TO |
| 3 PLC | ± 0.25 [.010] | - | | A3 | 00779 | C-63538 | - |
| 4 PLC | ± - | - | | CUSTOMER DRAWING | | | SCALE |
| ANGLES | ± - | - | | - | | | 5:1 |
| MATERIAL | FINISH | - | | - | | | SHEET |
| BRASS | SEE TABLE | - | | - | | | 1 OF 1 |
| | | - | | - | | | REV |
| | | - | | - | | | H1 |