



PFC-2416-3

Magnet Float

RoHS

REACH

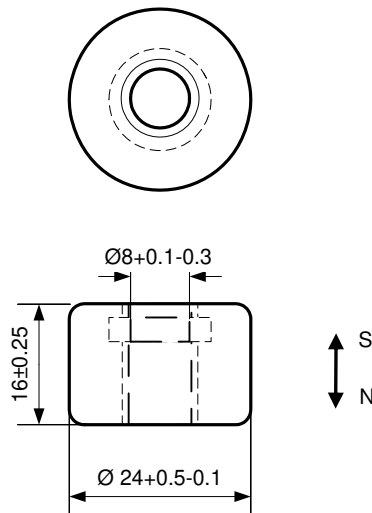
Data

Float housing	PP Foam
Magnet	Ferrite Y10
Magnetical Orientation	axially

Remanence Br	mT	215
Coercivity HcB	kA/m	143
Coercivity HcJ	kA/m	203
Energy Product (BH) max.	kJ/m ³	8
Magnetic Moment M	x10 ⁻⁶ Vs cm	4.1
Operating Temperature max.	°C	80

Nominal values unless otherwise specified.

Dimensions in mm



Customized types, other magnet materials and high temperature grades available

Mechanical Characteristics

@ 25°C

Density of float typ. *	g/cm ³	0.7
Weight per piece	g	4.45±0.3

* In delivery condition

- Please see page 30 of our main catalogue or <http://pic-gmbh.com/en/tech-center/housing-materials/application-notes/> for the chemical resistance of the float material. The density of the applicable medium has to be 20% above the density of the used float material to ensure proper and secure function.