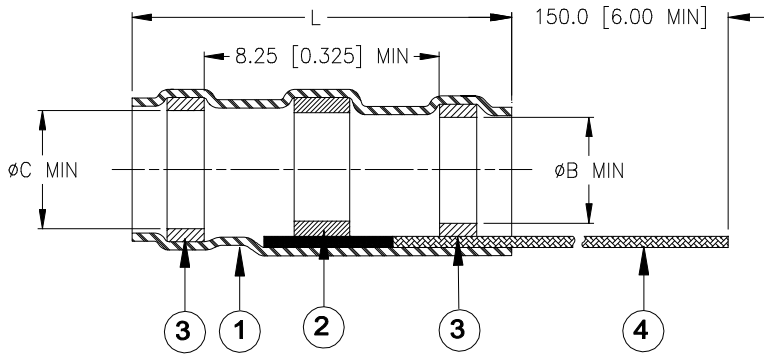


CUSTOMER DRAWING



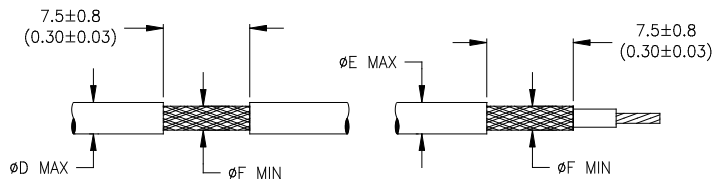
Product Name	Ident. Code	Product Dimensions			Cable Dimensions		
		$L \pm 1.75$ ($L \pm 0.070$)	ϕB min	ϕC min	ϕD max	ϕE max	ϕF min
S200-1-02-TC	S2001R	16.50 (0.650)	1.90 (0.075)	2.67 (0.105)	1.90 (0.075)	2.67 (0.105)	0.90 (0.035)

MATERIALS

- INSULATION SLEEVE: Heat-shrinkable, transparent blue, radiation cross-linked modified fluoropolymer.
- SOLDER PREFORM WITH FLUX AND THERMAL INDICATOR:
 SOLDER: TYPE Sn96 per ANSI / J-STD-006.
 FLUX: TYPE ROM1 per ANSI / J-STD-004.
 THERMAL INDICATOR: Color changes from orange to colorless.
- MELTABLE SEALING RINGS: Environment resistant modified thermoplastic fluoroelastomer. Color: light blue.
- PRE-INSTALLED BRAID: Nickel-plated copper strands per ASTM B355, Class 4. CMA = 800.

APPLICATION

- These parts are designed to provide an environment protected shield termination on cables, rated for 150°C minimum, meeting the dimensional criteria listed, having silver or nickel-plated shields.
- Install using TE Connectivity-approved convection or infrared heating tools in accordance with Tyco Electronics process standard RCPS-100-71. When installed with approved convection or infrared heating tools, assemblies will meet the performance requirements of SAE-AS83519. Infrared tools are not recommended for use with black cable jackets.
- Parts shall be marked with identification code per table.
- Temperature range: -65°C to +200°C.
- For best results, prepare the cable as shown:



		Raychem Devices		TITLE: SOLDERSLEEVE SHIELD TERMINATOR WITH PRE-INSTALLED BRAID, 200 DEG C, RoHS COMPLIANT, THERMOCHROMIC			
Unless otherwise specified dimensions are in millimeters. [Inches dimensions are shown in brackets]				DOCUMENT NO.:			
				S200-1-02-TC			
TOLERANCES: 0.00 N/A 0.0 N/A 0 N/A		ANGLES: N/A ROUGHNESS IN MICRON		TE Connectivity reserves the right to amend this drawing at any time. Users should evaluate the suitability of the product for their application.		Revision : D	Issue Date : April 2020
DRAWN BY: YUNGUYEN	CAGE CODE: 06090	DATE: April 16, 2020	ECO: ECO-20-004961	SCALE: NTS	SIZE: A	SHEET: 1 of 1	

Print Date: 16-Apr-20

© 2020 Tyco Electronics Corporation. All rights reserved.

If this document is printed it becomes uncontrolled. Check for the latest revision.

SPECIFICATION CONTROL DRAWING

TE Connectivity, TE connectivity (logo), Raychem, and SolderSleeve are trademarks

Unless otherwise specified dimensions are in millimeters.
(Inches dimensions are shown in brackets)

DOCUMENT NO.: D-150-0253	PROD. REV.: C	DOC. ISSUE: 4	DCR NUMBER: D030299	DATE: 30-May-03	SHEET: 2 of 2
------------------------------------	------------------	------------------	------------------------	--------------------	------------------

Print Date: 16-Apr-20

If this document is printed it becomes uncontrolled. Check with the web for the latest revision