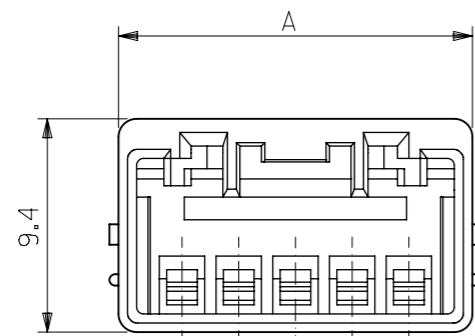
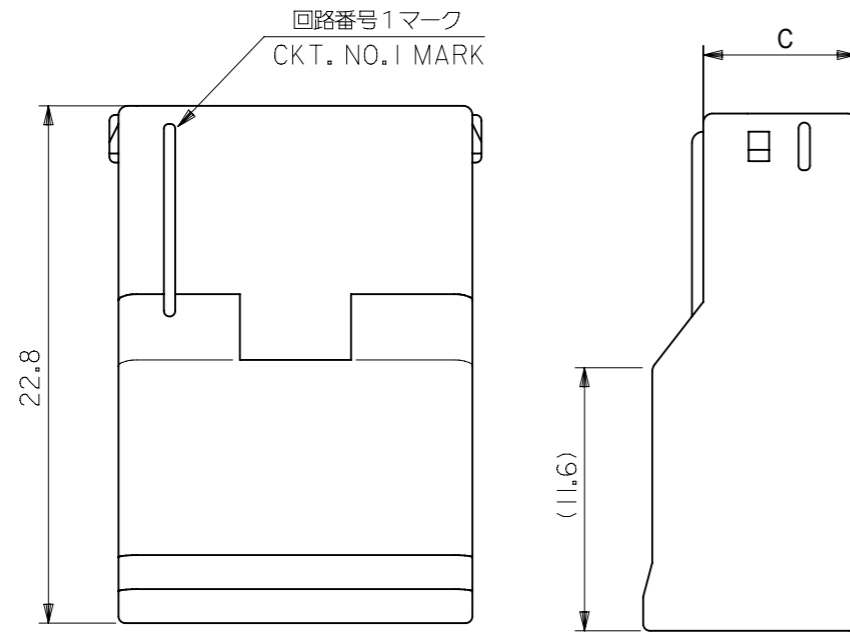
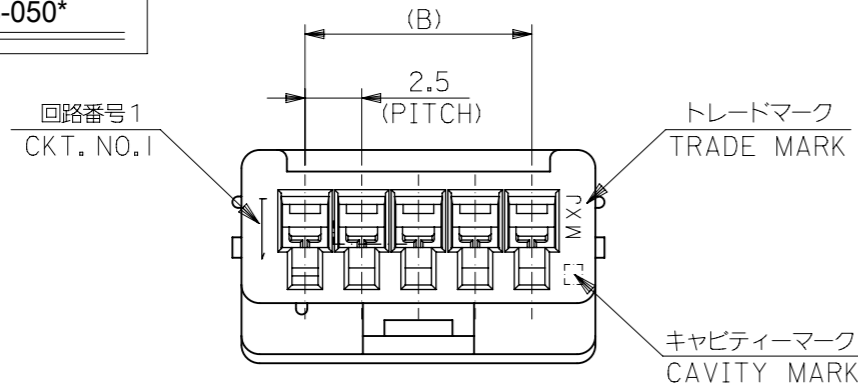
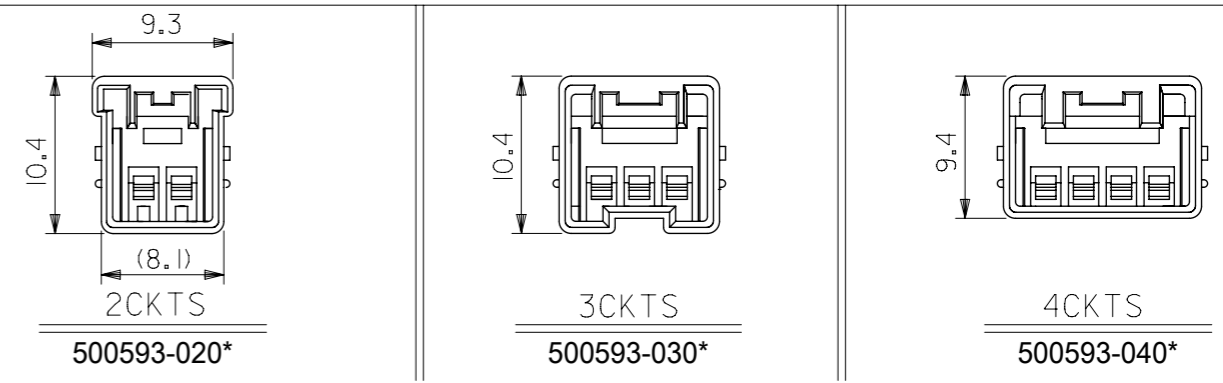


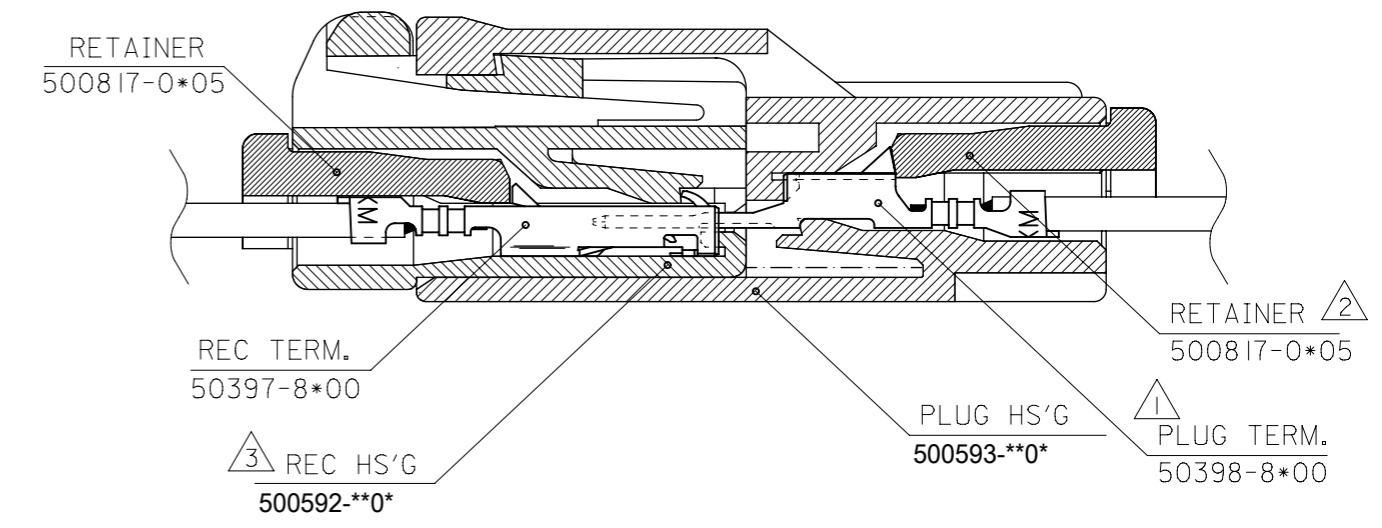
SHAPE OF
500593-050*



4極以下の極数レイアウト図
LAYOUT OF 2/3/4CKTS.



ターミナル装着状態図
TERMINAL ASSEMBLY DRAWING



注記
NOTES

- ① 適合ターミナル : 50398シリーズ
APPLICABLE TERMINAL : 50398 SERIES
- ② 適合リテーナー : 500817シリーズ
APPLICABLE RETAINER : 500817 SERIES
- ③ 嵌合相手 : 500592シリーズ
MATE WITH : 500592 SERIES
- 4. 材質 : PBT (UL94V-0)
MATERIAL : PBT(UL94V-0)

5. MATERIAL NO.は以下の内容を示す。
MATERIAL NO. : 500593-050*

極数 CKT	色 COLOR
0	自然色 NATURAL
1	黒 BLACK
2	赤 RED
3	黄色 YELLOW
4	青 BLUE
6	緑 GREEN

500593-050* MODEL NO.

FUNCTIONAL SYMBOLS ▽A = 0 ▽E = 0 ▽F = 0	THIS DRAWING CONTAINS INFORMATION THAT IS PROPRIETARY TO MOLEX ELECTRONIC TECHNOLOGIES, LLC AND SHOULD NOT BE USED WITHOUT WRITTEN PERMISSION	CURRENT REV DESC: OBSOLETE PART NUMBERS AS PER PCN#510807	
	DIMENSION UNITS: MM	SCALE: 1:1	EC NO: 726454
	GENERAL TOLERANCES (UNLESS SPECIFIED)		DRWN: LIKITV 2022/10/20
	ANGULAR TOL ± 3.0°		CHK'D: GGA 2022/11/30
DIVISIONAL SYMBOLS	4 PLACES ± 0.2	APPR: GGA 2022/11/30	INITIAL REVISION:
	3 PLACES ± 0.25	DRWN: U.MUMEDA 2005/04/07	DRWN: U.MUMEDA 2005/04/07
	2 PLACES ± 0.3	APPR: KASAKAWA 2015/04/27	APPR: KASAKAWA 2015/04/27
	1 PLACE ±	DRWN: U.MUMEDA 2005/04/07	APPR: KASAKAWA 2015/04/27
0 PLACES ±	DRAFT WHERE APPLICABLE MUST REMAIN WITHIN DIMENSIONS	THIRD ANGLE PROJECTION	DRAWING: A3-SIZE
SERIES: 500593		MATERIAL NUMBER: SEE CHART	CUSTOMER: GENERAL MARKET
DOCUMENT NUMBER: SD-500593-001		DOC TYPE: PSD	DOC PART: 001
REVISION: C1		SHEET NUMBER: 1 OF 2	



500592-080*	500817-0805	6.75	17.5	23.1	8	— // —	— // —	— // —	500593-0800	500593-**0*
↙ -070*	↙ -0705	↙	15	20.6	7	— // —	— // —	— // —	↙ -0700	
↙ -060*	↙ -0605	↙	12.5	18.1	6	— // —	— // —	— // —	↙ -0600	
↙ -050*	↙ -0505		10	15.6	5	— // —	— // —	— // —	↙ -0500	
↙ -040*	↙ -0405	6.75	7.5	13.1	4	— // —	— // —	— // —	↙ -0400	
↙ -030*	↙ -0305	7.75	5	10.6	3	500593-0304	— // —	500593-0301	↙ -0300	
500592-020*	500817-0205	7.75	2.5	8.1	2	500593-0204	500593-0202	500593-0201	500593-0200	MODEL NO.
MATE WITH	CONFORTABLE-RETAINER	C	B	A	CKT.	BLUE	RED	BLACK	NATURAL	
MATERIAL NO.										

FUNCTIONAL SYMBOLS ▽/A = 0 ▽/E = 0 ▽/V = 0	THIS DRAWING CONTAINS INFORMATION THAT IS PROPRIETARY TO MOLEX ELECTRONIC TECHNOLOGIES, LLC AND SHOULD NOT BE USED WITHOUT WRITTEN PERMISSION		CURRENT REV DESC: OBSOLETE PART NUMBERS AS PER PCN#510807		<h1 style="text-align: center;">molex</h1> <p style="text-align: center;">2.5MM WIRE TO WIRE CONN. PLUG HOUSING</p>	
	DIMENSION UNITS	SCALE				
DIVISIONAL SYMBOLS	MM	3:1	EC NO: 726454		DOCUMENT NUMBER	
	GENERAL TOLERANCES (UNLESS SPECIFIED)		DRWN: LIKITV		DOC TYPE	
	ANGULAR TOL ± 3.0 °		2022/10/20		DOC PART	
	4 PLACES ± 0.2		CHK'D: GGA		REVISION	
	3 PLACES ± 0.25		APPR: GGA		SD-500593-001	
	2 PLACES ± 0.3		INITIAL REVISION:		MATERIAL NUMBER	
	1 PLACE ±		DRWN: U.MUMEDA		CUSTOMER	
	0 PLACES ±		APPR: KASAKAWA		GENERAL MARKET	
DRAFT WHERE APPLICABLE MUST REMAIN WITHIN DIMENSIONS		THIRD ANGLE PROJECTION		DRAWING	SERIES	SHEET NUMBER
				A3-SIZE	500593	2 OF 2