

REV.	DATE	DESCRIPTION
01	Apr. 29, '19	1st RELEASE

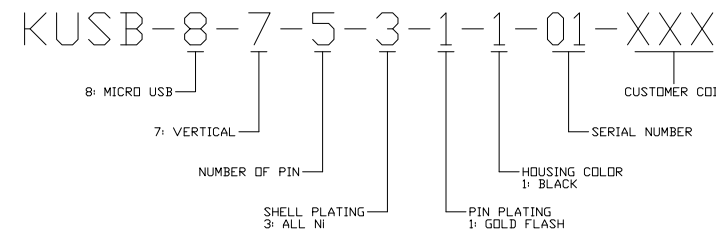
NOTES

MATERIAL  
SEE DRAWING  
STANDARD DATA  
RATING CURRENT: 2.0A

ELECTRICAL  
INSULATOR RESISTANCE: 1000M ohms MIN. @ 500VDC  
WITHSTANDING VOLTAGE: 100VAC / MINUTE  
CONTACT RESISTANCE: 30m ohms

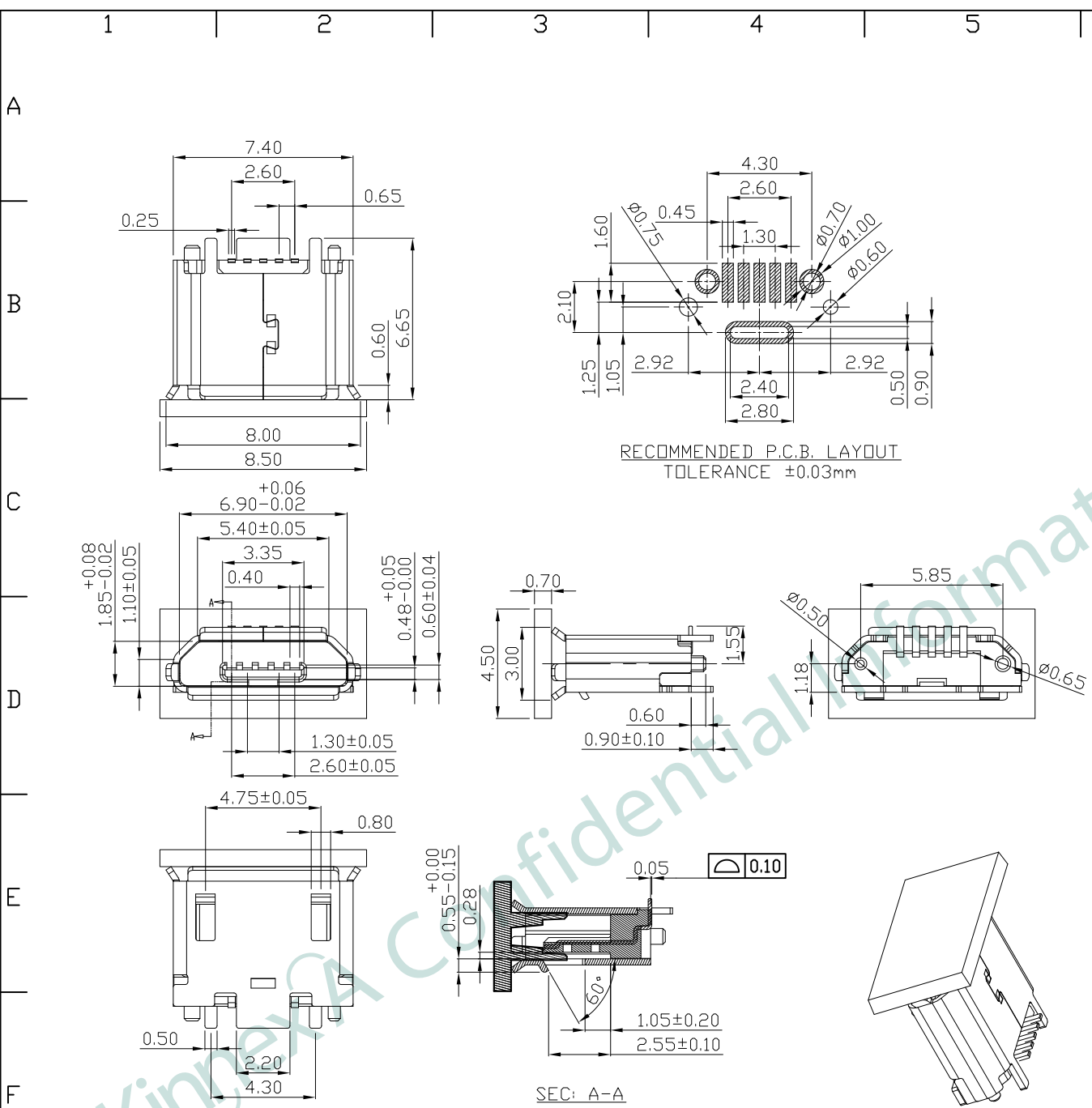
MECHANICAL  
MATING FORCE: 35N(3.57kgf) MAX.  
UNMATING FORCE (WITHOUT LOCK): 8N(0.81kgf) MIN.  
DURABILITY: 10000 CYCLES MIN.  
CONTACT RETENTION FORCE: 2.1N(0.21kgf) MIN.

UNSPECIFIED TOLERANCE: .XX ±0.30  
.X ±0.50



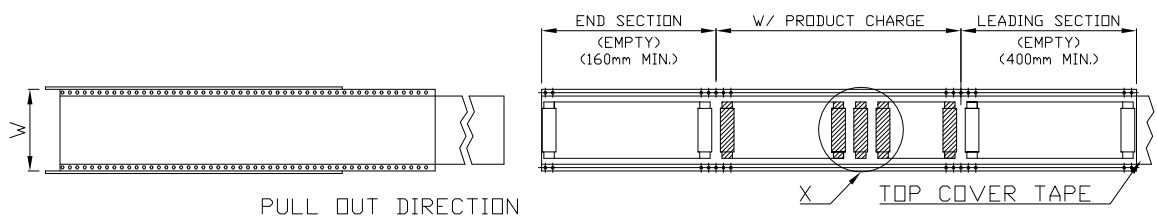
PARTS NAME	Q'TY	MATERIAL	FINISH/REMARK
SHELL	1	STAINLESS	50u" NICKEL
CONTACT	5	COPPER ALLOY	GOLD FLASH, 50u" NICKEL
HOUSING	1	SYNTHETIC RESIN	BLACK
CAP	1	SYNTHETIC RESIN	BLACK

PART NO		KUSB-8-7-5-3-1-1-01-XXX		
TITLE	MICRO USB, VERTICAL, 5 PIN			
REV : 01				
UNIT	DRAWN	CHKD	DATE	SHEET
mm[inch]	CINDY	VINCENT	Apr. 29, '19	1 of 3



1 2 3 4 5 6 7 8

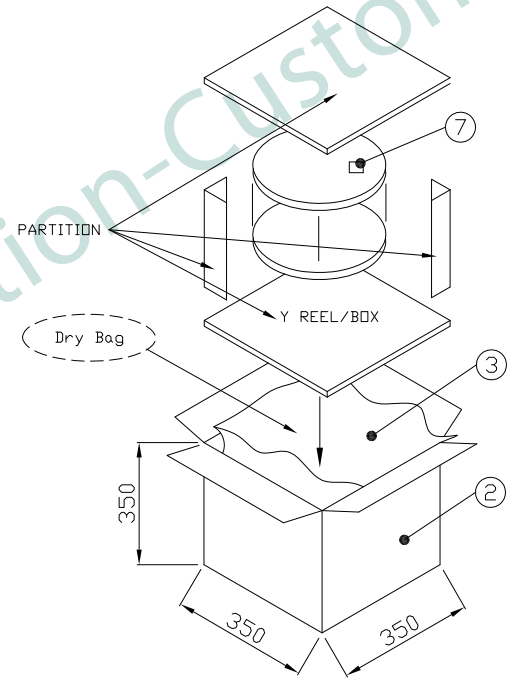
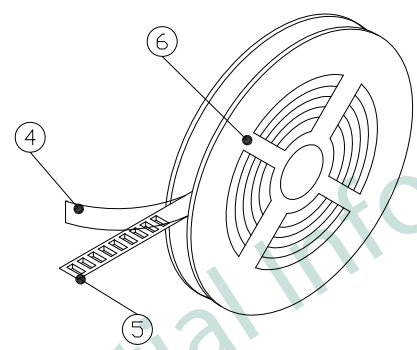
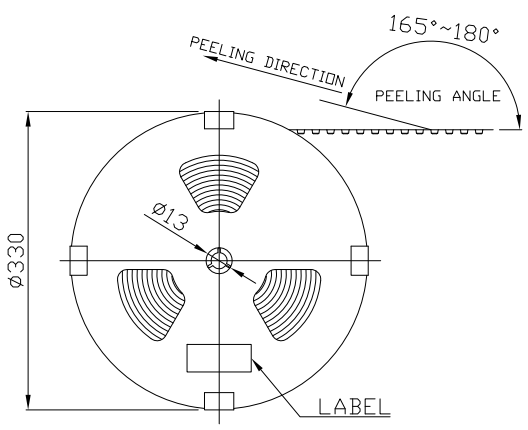
A



ITEM	PART NAME	FINISH/REMARK
1	I/O CONNECTOR	4200PCS / BOX
2	BOX	6PCS REEL / BOX
3	WATERPROOF BAG	1PCS
4	REEL	700PCS / REEL
5	COVER TAPE	WIDE=24mm
6	CARRIER TAPE	14.5 / REEL
7	LABEL	-

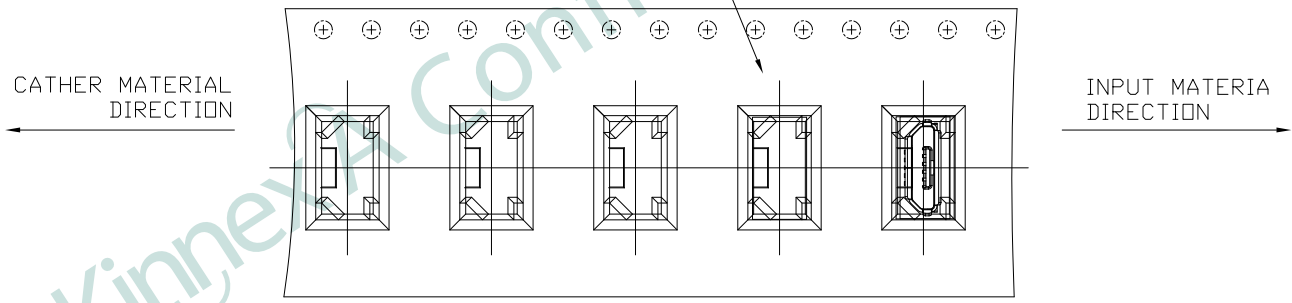
B

C



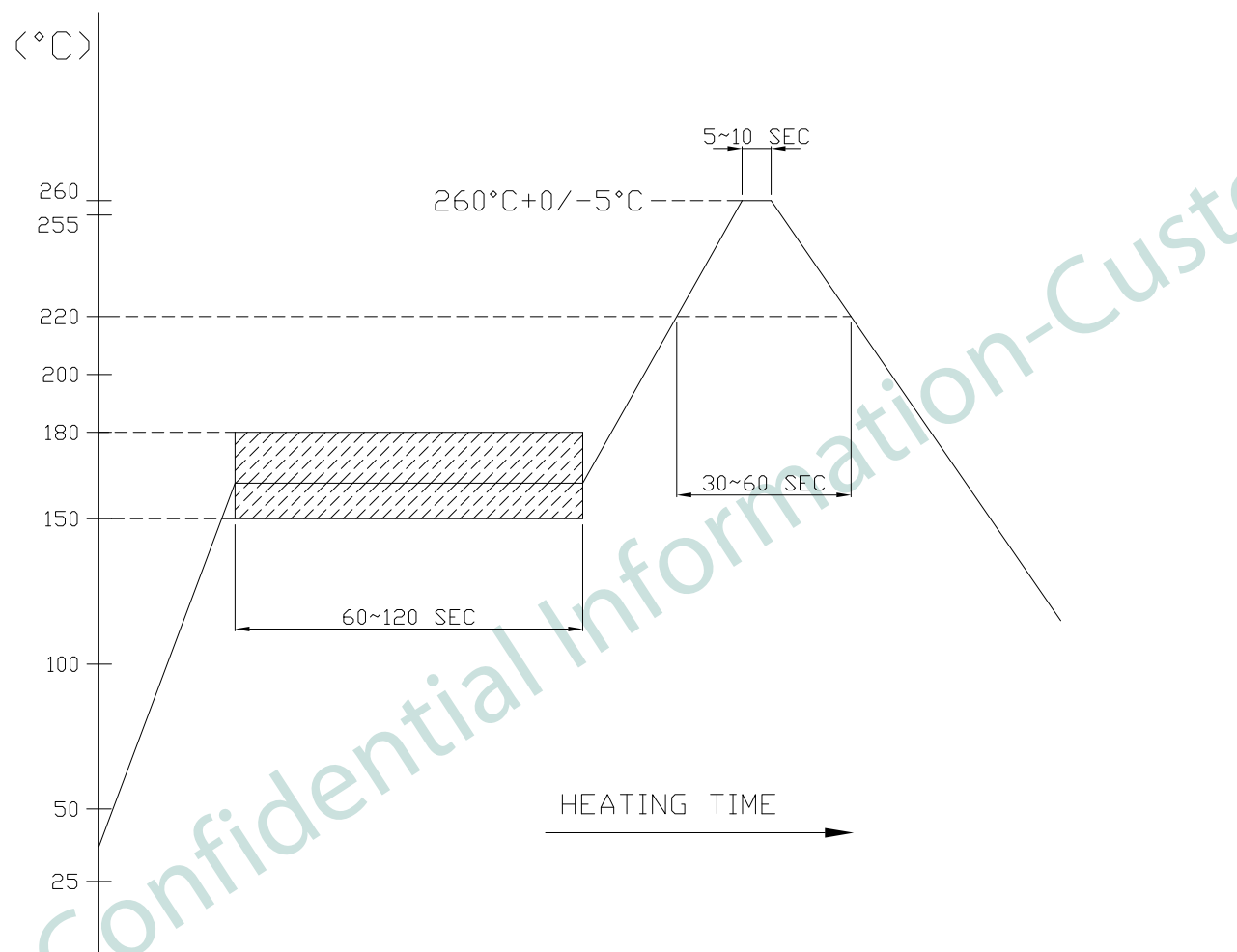
D

E



- NOTES
1. MATERIAL: PS
  2. DEFORMATION&DAMAGE: NA.
  3. ALL DIMENSIONS MEET EIA-481-C REQUIREMENTS

PART NO		KUSB-8-7-5-3-1-1-01-XXX		
TITLE	MICRO USB, VERTICAL, 5 PIN			
REV : 01				
UNIT	DRAWN	CHKD	DATE	SHEET
mm[inch]	CINDY	VINCENT	Apr. 29, '19	2 of 3



PART NO		KUSB-8-7-5-3-1-1-01-XXX		
TITLE	MICRO USB, VERTICAL, 5 PIN			
REV : 01				
UNIT	DRAWN	CHKD	DATE	SHEET
mm[inch]	CINDY	VINCENT	Apr. 29, '19	3 of 3