



ANATECH ELECTRONICS INC
RF & Microwave Filters & Products

761 / 859 / 1469.5 / 1955 / 2500 MHz
Ceramic Combiner Bandpass Filter



Part Number:

AM761-859-1469-1955-2500MP1017

Electrical specifications

PB1: 698 – 824 MHz
PB1 Insertion Loss: 0.8 dB Max (0.7 Typ.)
PB1 Ripple: 0.5 dB Max
PB1 Return Loss: 12 dB min.
PB1 Group Delay: 25ns Max

PB2: 824 – 849 MHz
PB2 Insertion Loss: 2.5 dB Max
PB2 Ripple: 2.0 dB Max
PB2 Return Loss: 12 dB min.
PB2 Group Delay: 50.0ns Max

PB3: 1428 – 1511 MHz
PB3 Insertion Loss: 0.8 dB Max
PB3 Ripple: 0.5 dB Max
PB3 Return Loss: 12 dB min.
PB3 Group Delay: 25ns Max

PB4: 1710 – 2200 MHz
PB4 Insertion Loss: 0.8 dB Max (0.7 Typ.)
PB4 Ripple: 0.5 dB Max
PB4 Return Loss: 12 dB min.
PB4 Group Delay: 25ns Max

PB5: 2300 – 2700 MHz
PB5 Insertion Loss: 0.8 dB Max
PB5 Ripple: 0.5 dB Max
PB5 Return Loss: 12 dB min
PB5 Group Delay: 25ns Max

Rejection: 15 dB min @ 902 – 928 MHz
Power Handling: 2W CW
Impedance: 50 ohm

*.Group delay variation is not measured in regular production.

Mechanical

Mounting: Surface Mount
Dimensions: 31.0 x 20.0 x 5.0 mm
PCB Dielectric Constant: FR4 (Er: 4.5)
IN/OUT Pad width and thickness: (1.0x1.2) & (0.8) mm
Port: (0.7x0.7) & (0.8) mm
PCB Thickness: 0.8 mm
PCB Finish: Au

Environmental

Operating Temperature: -40 to +85° C
Storage Temperature: -50 to +90° C
Maximum Reflow Temperature: + 235° C

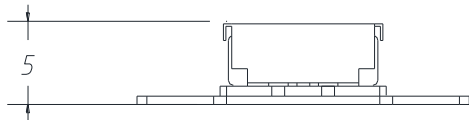
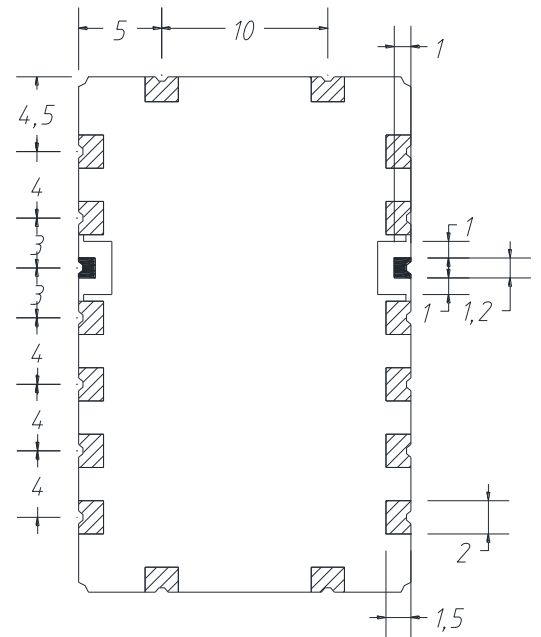
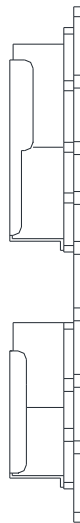
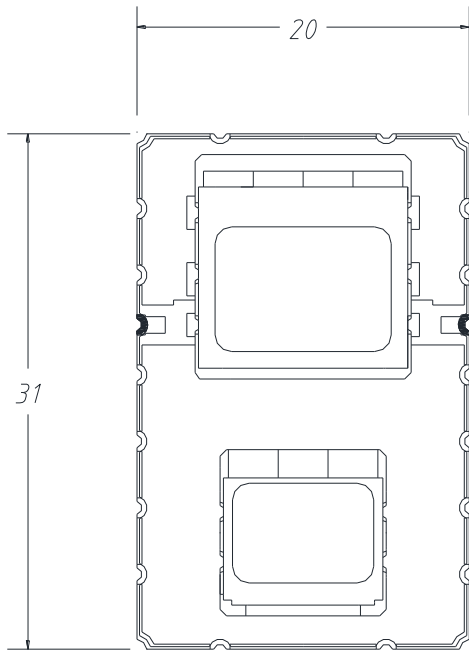


761 / 859 / 1469.5 / 1955 / 2500 MHz Ceramic Combiner Bandpass Filter



ANATECH ELECTRONICS INC
RF & Microwave Filters & Products

Part Number:
AM761-859-1469-1955-2500MP1017



■ IN/OUT PORT

▨ GROUND

TOLERANCE : +/- 0.2

UNIT : mm