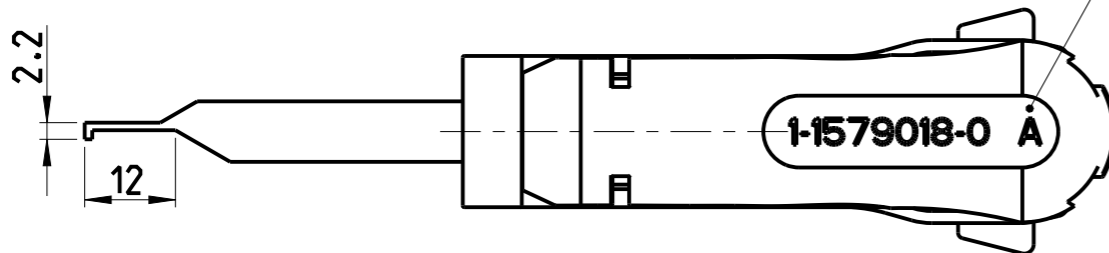
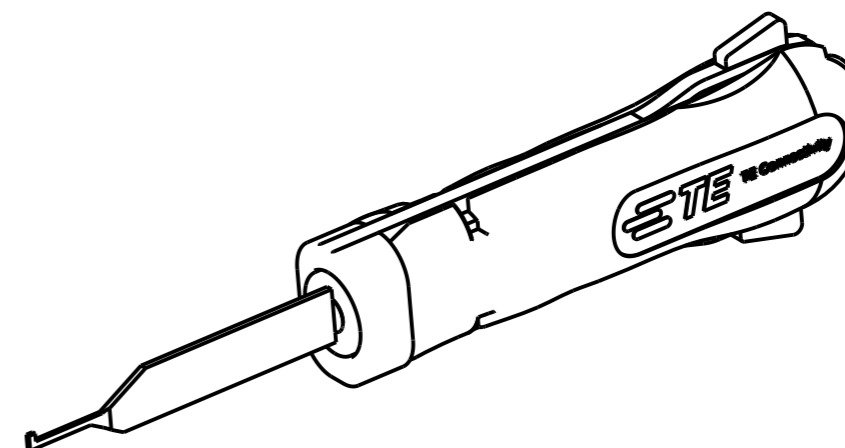
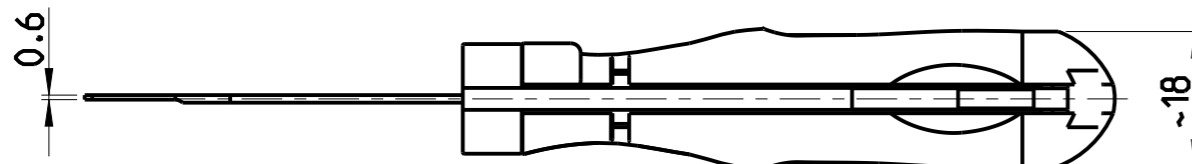
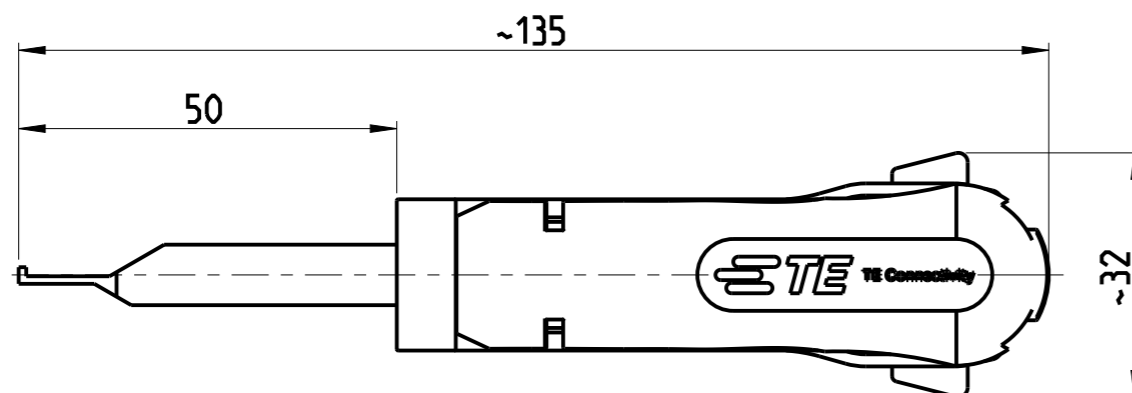


REVISIONS

P	LTR	DESCRIPTION	DATE	DWN	APVD
	A	INITIAL REVISION	18AUG2009	SA	GS
	A1	ECR-21-001703	18FEB2021	PNT	GS



ITEM NUMBER
Art-Nr H=3mm

APPLICATION RANGE / Anwendungsbereich:

EXTRACTION TOOL FOR DTL

THIS DRAWING IS A CONTROLLED DOCUMENT.

DIMENSIONS:	TOLERANCES UNLESS OTHERWISE SPECIFIED:
mm	
	0 PLC ±
	1 PLC ±
	2 PLC ±
	3 PLC ±
	4 PLC ±
	ANGLES ±
MATERIAL	FINISH
-	-

DWN	S. Samstag	18AUG2009
CHK	G. Stegmayer	18AUG2009
APVD	G. Stegmayer	18AUG2009
PRODUCT SPEC		
APPLICATION SPEC		
WEIGHT		
CUSTOMER DRAWING		



NAME				RESTRICTED TO	
EXTRACTION TOOL				-	
Entriegelungswerkzeug				-	
SIZE	CAGE CODE	DRAWING NO			
A3	00779	C-1-1579018-0			
SCALE			SHEET	REV	
1:1			1 OF 1	A1	