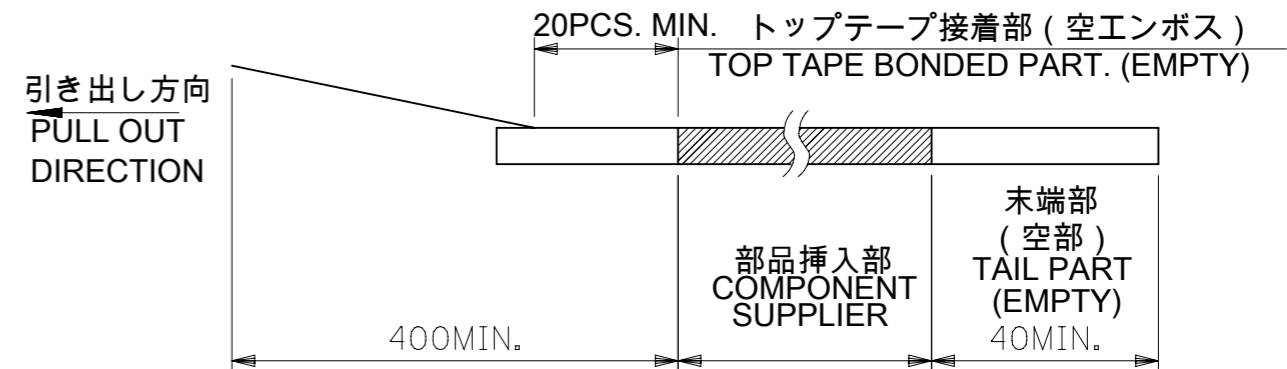
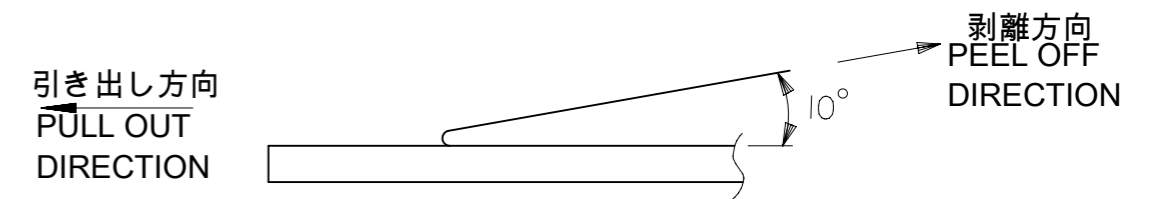


注記 NOTES

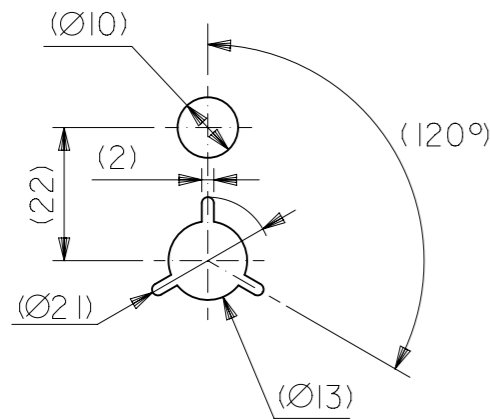
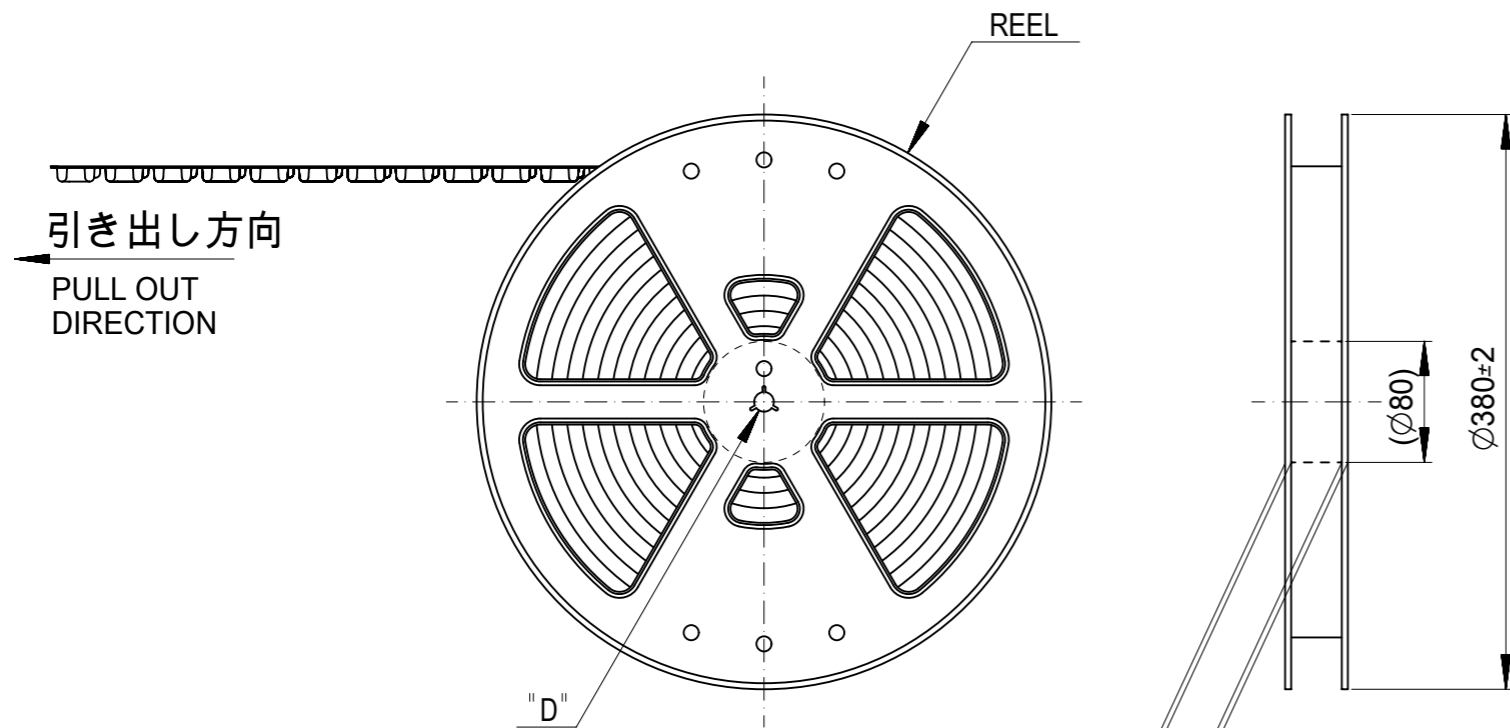
- 製品詳細寸法については製品単体図面を参照下さい。
SEE PRODUCT DRAWING ABOUT DETAILED DIMENSION OF PRODUCT.
- 梱包数量：9000個 / リール
NUMBER OF CONNECTORS : 9000PCS/REEL
- リードテープ長さ LEAD TAPE LENGTH



- トップテープの剥離強度：0.1N~1.3N(10gf~130gf)
(剥離方向は下図参照)
尚、本規格値は出荷時に適用。(但し、輸送時に剥離が発生しないこと。)
PEELING OFF FORCE OF TOP TAPE : 0.1N~1.3N(10gf~130gf)
(PEELING DIRECTION AS SHOWN IN FOLLOWING FIG.)
THIS REQUIREMENT SHOULD BE APPLIED AT SHIPMENT.
PEEL OFF SHOULD NOT BE ALLOWED , DURING TRANSPORTION.



- 材料 MATERIAL
キャリアテープ(CARRIER TAPE) : ポリスチレン (POLYSTYRENE)
トップテープ(TOP TAPE) : PET , OTHER
リール (REEL) : ポリスチレン(PS) <リサイクル材を含む>
POLYSTYRENE (PS) <RECYCLE MATERIAL CONTAINED>

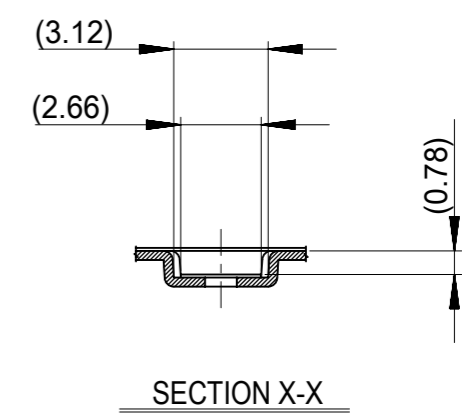
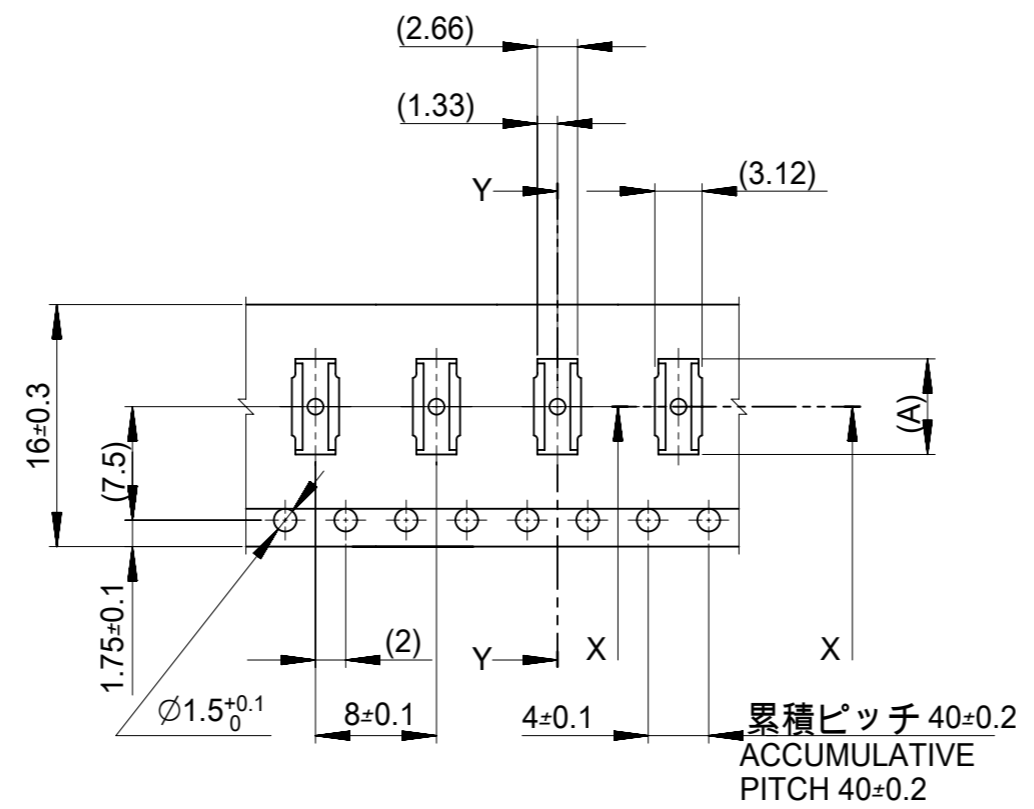
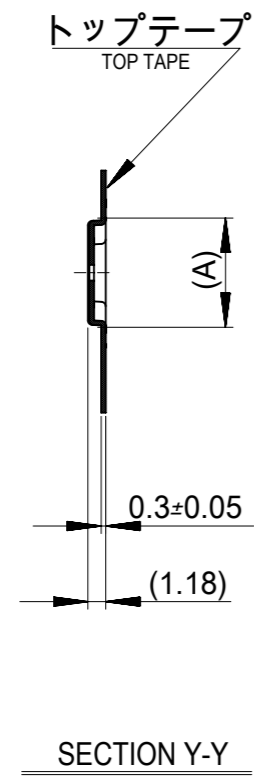


DETAIL "D"

THIS DRAWING CONTAINS INFORMATION THAT IS PROPRIETARY TO MOLEX ELECTRONIC TECHNOLOGIES, LLC AND SHOULD NOT BE USED WITHOUT WRITTEN PERMISSION

EC NO: 113200 DRWN: MNISHIKAWA CHK'D: KTAKAHASHI APPR: MSASAO	2016/12/21	2017/02/21	GENERAL TOLERANCES (UNLESS SPECIFIED) ANGULAR TOL ± ° 4 PLACES ± 3 PLACES ± 2 PLACES ± 1 PLACE ± 0 PLACES ± DRAFT WHERE APPLICABLE MUST REMAIN WITHIN DIMENSIONS	DIMENSION UNITS	SCALE		
	MM	NTS		DRWN BY	DATE		0.4 BB CONN, H=0.7 REC ASSY EMBSTP PKG
	MNISHIKAWA	2016/12/21		CHK'D BY	DATE		
	KTAKAHASHI	2017/02/21		APPR BY	DATE		
	MSASAO	2017/02/21		DRAWING SIZE	THIRD ANGLE PROJECTION		
A	REV	A3				PRODUCT CUSTOMER DRAWING SERIES: 503304 MATERIAL NUMBER: SEE SHEET2 CUSTOMER: GENERAL DOCUMENT NUMBER: 5033040002 DOC TYPE: PSD DOC PART: 000 SHEET NUMBER: 1 OF 2	

引き出し方向
PULL OUT DIRECTION



16mm 幅キャリアテープ
16mm WIDTH CARRIER TAPE

16	21.4	17.4	6.32	503304-2012	20
			4.72	503304-1212	12
キャリアテープ幅 CARRIER TAPE WIDTH			C	B	(A)
				EMBOSSED PACKAGE ORDER NO.	CKT.
CONNECTOR SERIES NO. 503304-**09					

THIS DRAWING CONTAINS INFORMATION THAT IS PROPRIETARY TO MOLEX ELECTRONIC TECHNOLOGIES, LLC AND SHOULD NOT BE USED WITHOUT WRITTEN PERMISSION

EC NO: 113200 DRWN: MNISHIKAWA CHK'D: KTAKAHASHI APPR: MSASAO REV: A	2016/12/21 2017/02/21 2017/02/21	GENERAL TOLERANCES (UNLESS SPECIFIED) ANGULAR TOL ± ° 4 PLACES ± 3 PLACES ± 2 PLACES ± 1 PLACE ± 0 PLACES ±	DIMENSION UNITS: MM SCALE: NTS			
	DRWN BY: MNISHIKAWA DATE: 2016/12/21	CHK'D BY: KTAKAHASHI DATE: 2017/02/21	APPR BY: MSASAO DATE: 2017/02/21		0.4 BB CONN, H=0.7 REC ASSY EMBSTP PKG	
	DRAFT WHERE APPLICABLE MUST REMAIN WITHIN DIMENSIONS					DRAWING SIZE: A3 THIRD ANGLE PROJECTION
	PRODUCT CUSTOMER DRAWING				SERIES: 503304 MATERIAL NUMBER: SEE CHART CUSTOMER: GENERAL	
	DOCUMENT NUMBER: 5033040002		DOC TYPE: PSD DOC PART: 000		SHEET NUMBER: 2 OF 2	

注記 NOTES

1. 使用材料 MATERIAL

ハウジング : 液晶ポリマー (LCP) UL94V-0 (黒)
HOUSING: LIQUID CRYSTAL POLYMER UL94V-0 (COLOR:BLACK)

ターミナル : 銅合金
TERMINAL : COPPER ALLOY

金具 : 銅合金
FITTING NAIL : COPPER ALLOY

2. メッキ仕様 PLATING

ターミナル TERMINAL

金メッキ
GOLD
下地メッキ : ニッケルメッキ
UNDER PLATING : NICKEL

※コンタクト部とテール部はニッケルメッキによって分断されている金メッキです。
DIVIDE INTO PARTS THE GOLD PLATING OF THE CONTACT AND THE TAIL PART BY THE NICKEL PLATING.

金具 FITTING NAIL

錫メッキ
Tin PLATING
下地メッキ : ニッケルメッキ
UNDER PLATING : NICKEL

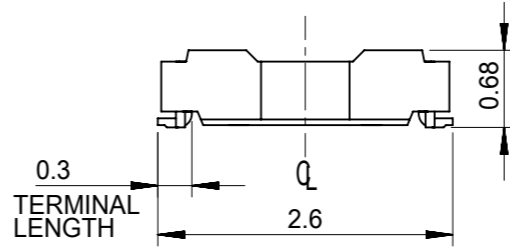
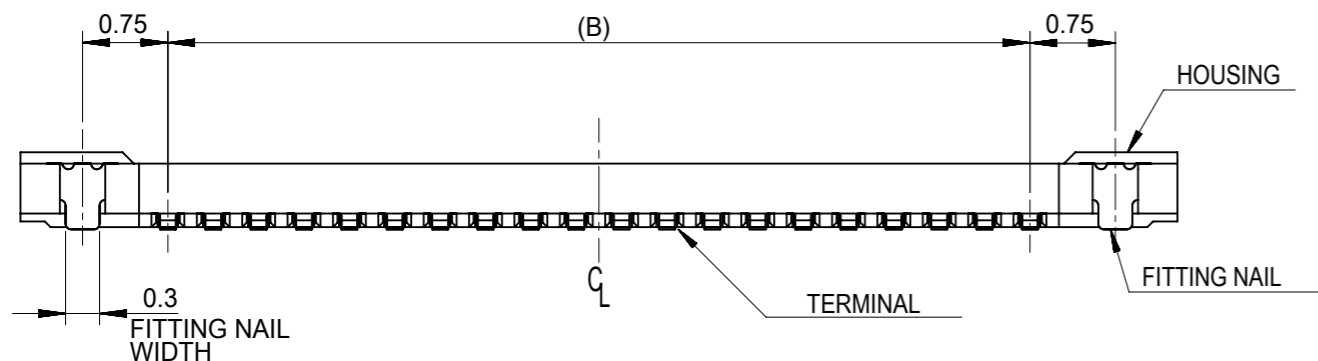
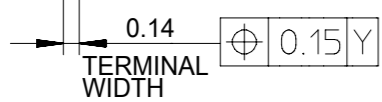
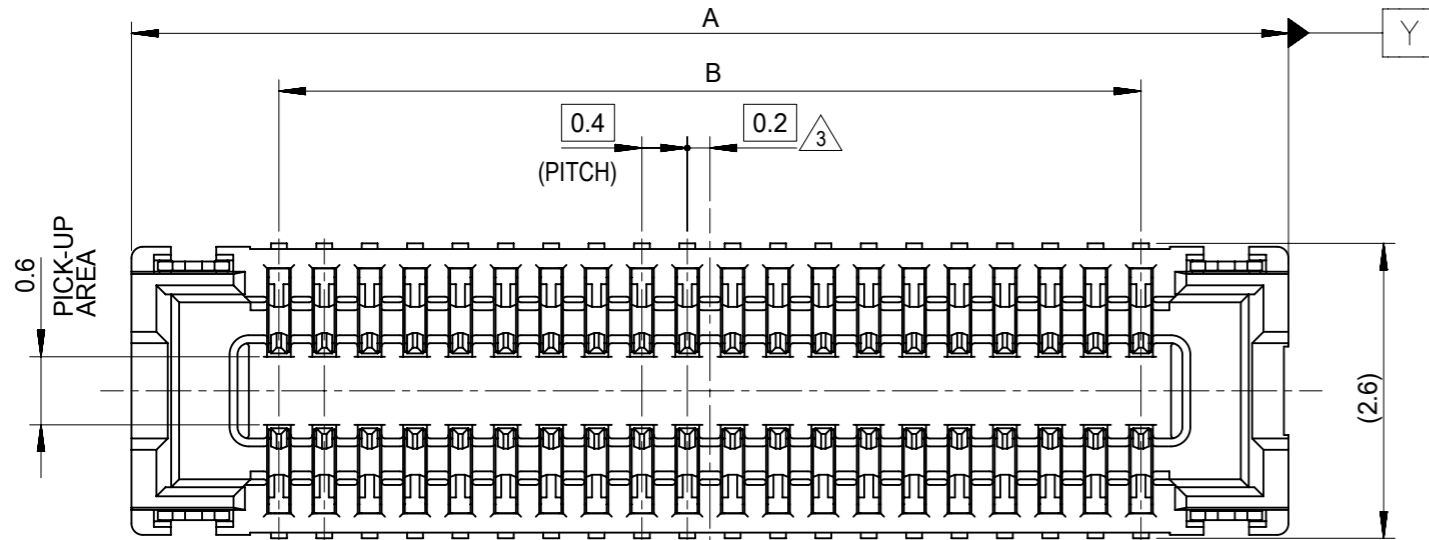
△3 (全極数 / 2) = 偶数の場合に適用。
APPLY FOR (CIRCUIT/2)=EVEN.

4. 嵌合相手 : 503308 シリーズ
MATE WITH : 503308 SERIES.

5. テール平坦度は、0.08 以下
TAIL COPLANARITY TO BE 0.08 MAXIMUM.

テール及び金具の平坦度は、0.1 以下
TAIL AND FITTING NAIL COPLANARITY TO BE 0.1 MAXIMUM.

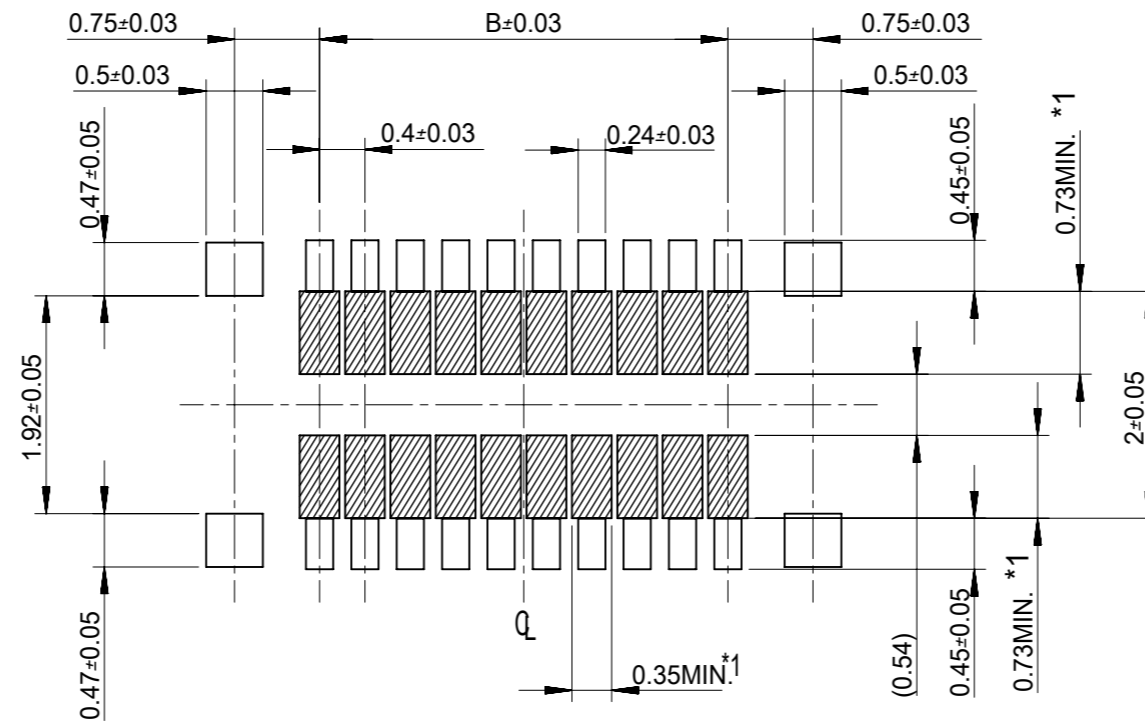
6. ELV and RoHS COMPLIANT.



3.6	6.2	503304-2012	20
2.0	4.6	503304-1212	12
B	A	EMBOSSED PACKAGE	極数
		オーダー番号 ORDER No.	CIRCUITS
CONNECTOR SERIES No. : 503304-**09			

THIS DRAWING CONTAINS INFORMATION THAT IS PROPRIETARY TO MOLEX ELECTRONIC TECHNOLOGIES, LLC AND SHOULD NOT BE USED WITHOUT WRITTEN PERMISSION

EC NO: 113200 DRWN: MNISHIKAWA CHK'D: KTAKAHASHI APPR: MSASAO	2016/12/21 2017/02/21	GENERAL TOLERANCES (UNLESS SPECIFIED) ANGULAR TOL ± 1.0 ° 4 PLACES ± 0.2 3 PLACES ± 0.2 2 PLACES ± 0.2 1 PLACE ± 0.2 0 PLACES ± 0.2	DIMENSION UNITS: MM SCALE: 15:1	<p>0.4 BB CONN. H=0.7 W=2.6 REC. ASS'Y</p>	
	DRWN BY: MNISHIKAWA DATE: 2016/12/21	CHK'D BY: KTAKAHASHI DATE: 2017/02/21	APPR BY: MSASAO DATE: 2017/02/21		PRODUCT CUSTOMER DRAWING
	DRAWING SIZE: A3 THIRD ANGLE PROJECTION	SERIES: 503304 MATERIAL NUMBER: SEE CHART CUSTOMER: GENERAL	DOCUMENT NUMBER: 5033041002 DOC TYPE: PSD DOC PART: 000 SHEET NUMBER: 1 OF 2		
	DRAFT WHERE APPLICABLE MUST REMAIN WITHIN DIMENSIONS	A3	DIMENSION UNITS: MM SCALE: 15:1		
	RELEASED	EC NO: 113200 DRWN: MNISHIKAWA CHK'D: KTAKAHASHI APPR: MSASAO	GENERAL TOLERANCES (UNLESS SPECIFIED) ANGULAR TOL ± 1.0 ° 4 PLACES ± 0.2 3 PLACES ± 0.2 2 PLACES ± 0.2 1 PLACE ± 0.2 0 PLACES ± 0.2		DIMENSION UNITS: MM SCALE: 15:1



RECOMMENDED P.W. BOARD
PATTERN LAYOUT

*1 パターン引き回し、および半田禁止エリア
(当該箇所においては、これと接する回路以外の配線を禁止する。
半田は、接する回路を配線する場合はレジストを施し、この部分に
半田は無きこととする。)

*1 PROHIBITED AREA OF PATTERN WIRING AND SOLDER.
(FOR EACH AREA, THE WIRING THAT TOUCHES ON THE SOLDER
CAN BE ATTACHED, THEN COVERED WITH A FILM TO KEEP SOLDER OUT.)

THIS DRAWING CONTAINS INFORMATION THAT IS PROPRIETARY TO MOLEX ELECTRONIC TECHNOLOGIES, LLC AND SHOULD NOT BE USED WITHOUT WRITTEN PERMISSION

EC NO: 113200 DRWN: MNISHIKAWA CHK'D: KTAKAHASHI APPR: MSASAO REV: A	2016/12/21 2017/02/21 2017/02/21	GENERAL TOLERANCES (UNLESS SPECIFIED) ANGULAR TOL ± 1.0 ° 4 PLACES ± 0.2 3 PLACES ± 0.2 2 PLACES ± 0.2 1 PLACE ± 0.2 0 PLACES ± 0.2	DIMENSION UNITS: MM SCALE: 15:1				
	DRWN BY: MNISHIKAWA CHK'D BY: KTAKAHASHI APPR BY: MSASAO	DATE: 2016/12/21 DATE: 2017/02/21 DATE: 2017/02/21	PRODUCT CUSTOMER DRAWING				
	DRAFT WHERE APPLICABLE MUST REMAIN WITHIN DIMENSIONS	DRAWING SIZE: A3 THIRD ANGLE PROJECTION	SERIES: 503304 MATERIAL NUMBER: SEE SHEET 1 CUSTOMER: GENERAL	0.4 BB CONN. H=0.7 W=2.6 REC. ASS'Y			
	RELEASED	EC NO: 113200 DRWN: MNISHIKAWA CHK'D: KTAKAHASHI APPR: MSASAO	DIMENSION UNITS: MM SCALE: 15:1	DRWN BY: MNISHIKAWA CHK'D BY: KTAKAHASHI APPR BY: MSASAO	DATE: 2016/12/21 DATE: 2017/02/21 DATE: 2017/02/21	PRODUCT CUSTOMER DRAWING	
	RELEASE STATUS: P1 RELEASE DATE: 21.02.2017 05:22:23	EC NO: 113200 DRWN: MNISHIKAWA CHK'D: KTAKAHASHI APPR: MSASAO	DIMENSION UNITS: MM SCALE: 15:1	DRWN BY: MNISHIKAWA CHK'D BY: KTAKAHASHI APPR BY: MSASAO	DATE: 2016/12/21 DATE: 2017/02/21 DATE: 2017/02/21	PRODUCT CUSTOMER DRAWING	