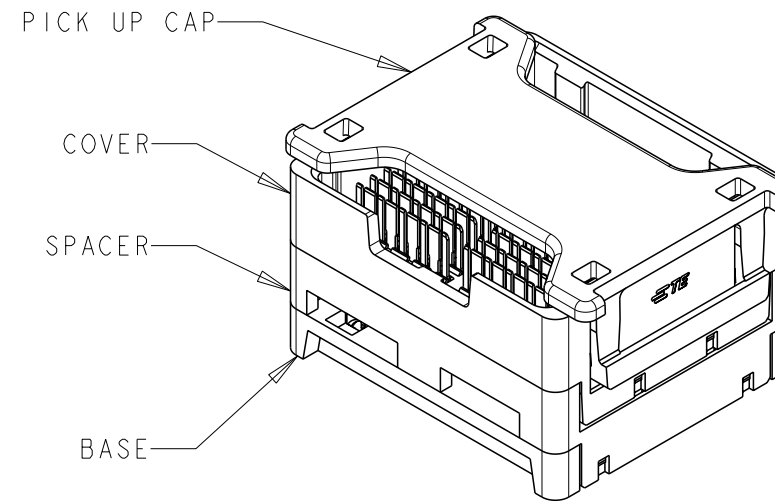
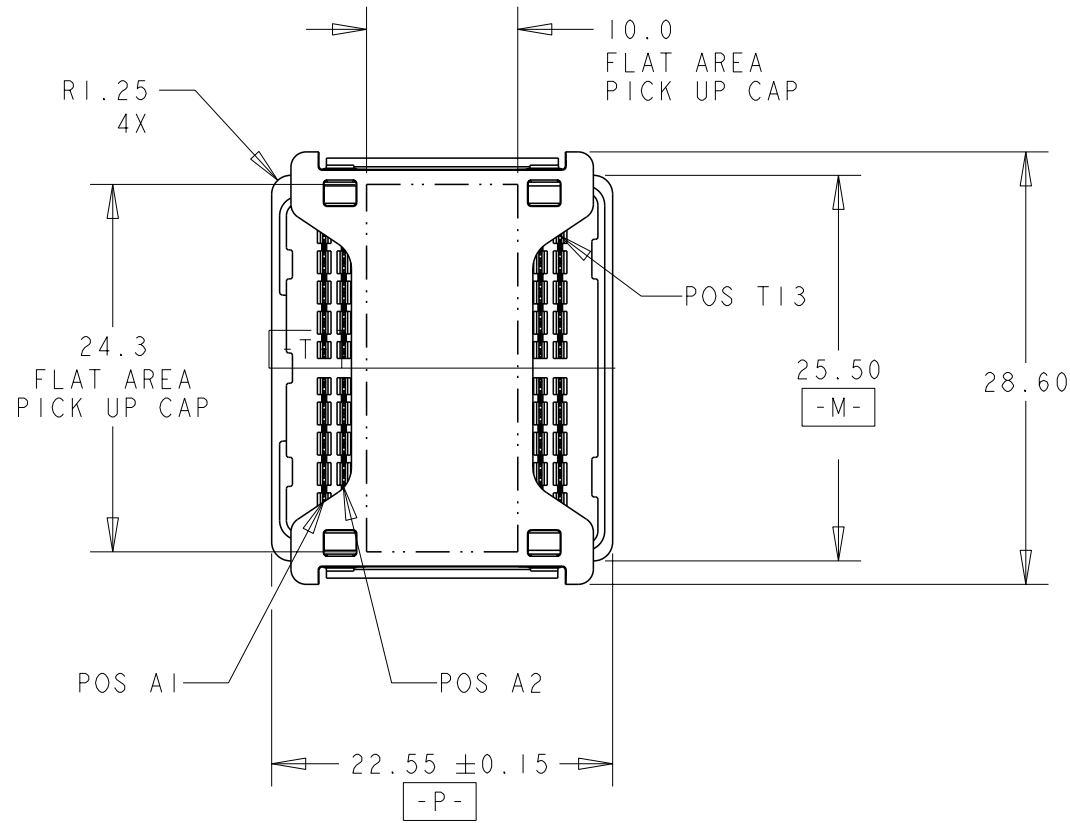
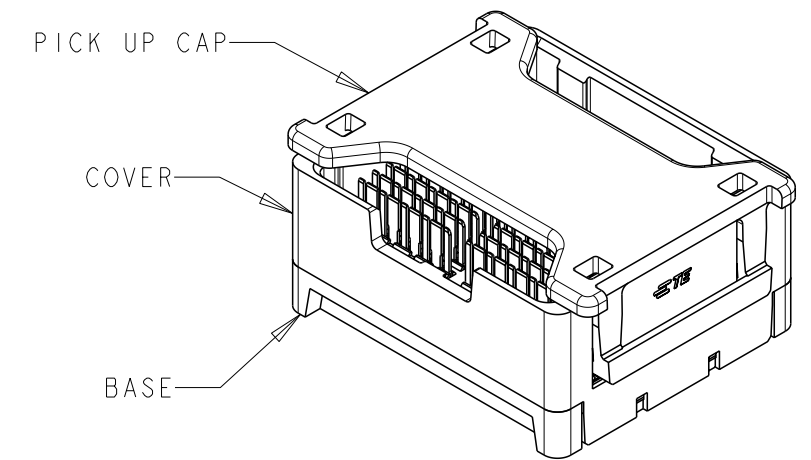
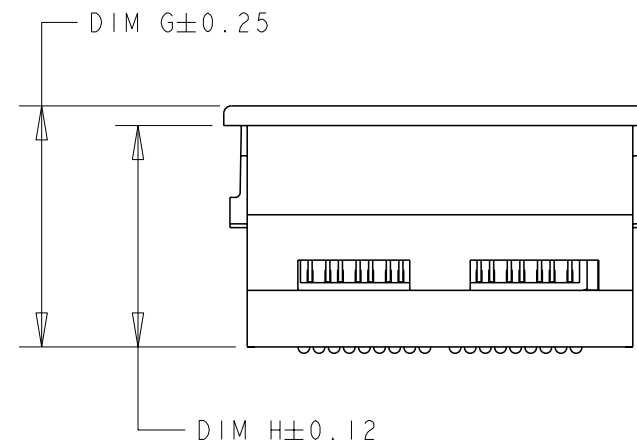
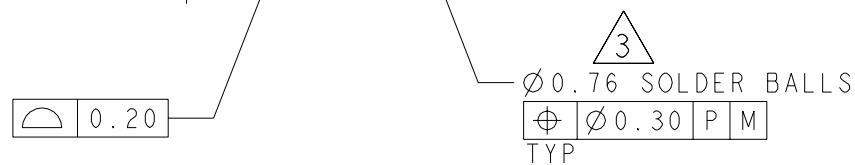
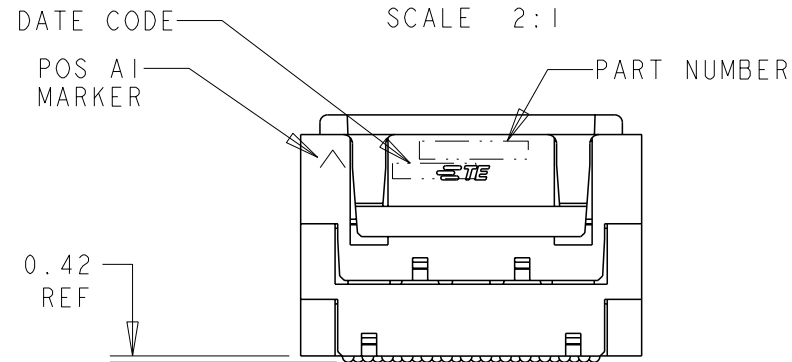


P	LTR	DESCRIPTION	DATE	DWN	APVD
	A3	REVISED PER ECO-20-017117	24APR2021	AP	RW



ISOMETRIC VIEW
TYPICAL CONFIGURATION FOR
15mm & 20mm ASSEMBLY
SCALE 2:1

TYPICAL ASSEMBLY
15mm SHOWN
SCALE 2:1



ISOMETRIC VIEW
TYPICAL CONFIGURATION FOR
10mm, 12mm & 13mm ASSEMBLY
SCALE 2:1

THIS DRAWING IS A CONTROLLED DOCUMENT.		DWN P BRANDBERG 18JAN05	TE Connectivity	
		CHK D WERTZ 20JAN05		
		APVD D WERTZ 20JAN05	NAME STEP-Z, PLUG ASSEMBLY, 104 SIGNAL POSITION	
DIMENSIONS: mm		PRODUCT SPEC 108-2143	SIZE A3	
TOLERANCES UNLESS OTHERWISE SPECIFIED: 0 PLC ±- 1 PLC ±0.3 2 PLC ±0.10 3 PLC ±0.050 4 PLC ±- ANGLES ±2°		APPLICATION SPEC 114-13101	CAGE CODE 00779	DRAWING NO C-1761612
MATERIAL 1		FINISH 2	RESTRICTED TO	SCALE 5:2
		CUSTOMER DRAWING	SHEET 1 OF 3	REV A3

REVISIONS

P	LTR	DESCRIPTION	DATE	DWN	APVD
	-	SEE SHEET 1	-	-	-

1 MATERIAL:
 BASE, SPACER, COVER: THERMOPLASTIC
 PICK UP CAP: THERMOPLASTIC
 CONTACT: COPPER ALLOY
 SOLDER BALL: Sn/Pb FOR P/N 1761614-1 THRU 5-1761614-0
 Sn/Ag FOR P/N 5-1761614-1 THRU 9-1761614-9

2 FINISH:
 CONTACT: 0.00076 MIN GOLD OVER 0.00127 MIN NICKEL.
 (30µ" MIN GOLD OVER 50µ" MIN NICKEL)


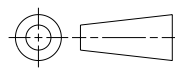
3 SOLDER BALLS WILL NOT BE PERFECT
 SPHERICAL SHAPE DUE TO REFLOW ATTACHMENT.

4 CONTACTS IN ROWS A,C,E,G,J,K,M,P,R, AND T
 ARE SINGLE BEAM CONTACTS,
 TYPICALLY USED AS GROUND PINS.
 (NOTE: CONTACTS IN ROW J & K ARE TIED
 TOGETHER [COMMONED]).

5 CONTACTS IN ROWS B,D,F,H,L,N,Q, AND S
 ARE DUAL BEAM CONTACTS,
 TYPICALLY USED AS SIGNAL PINS.

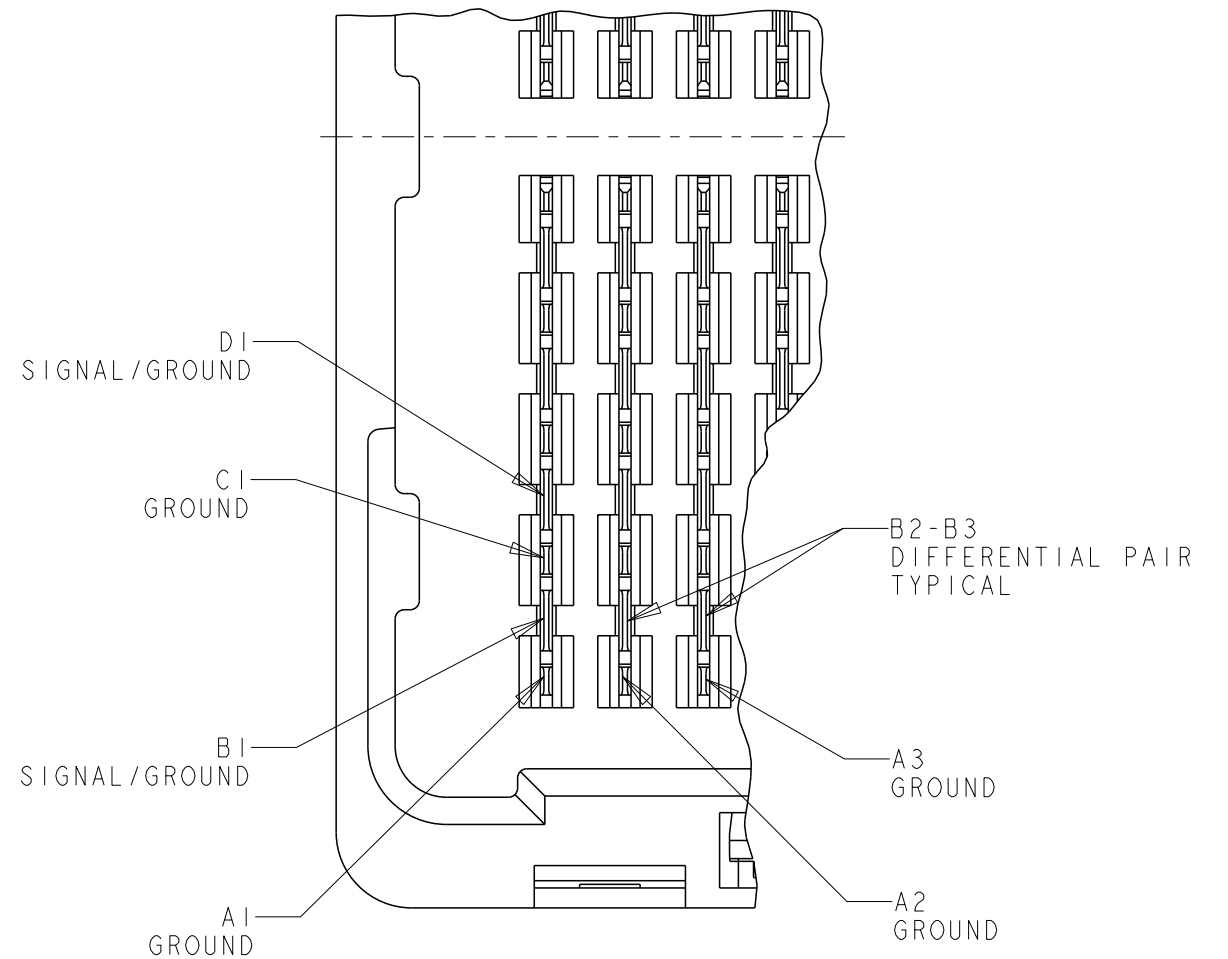
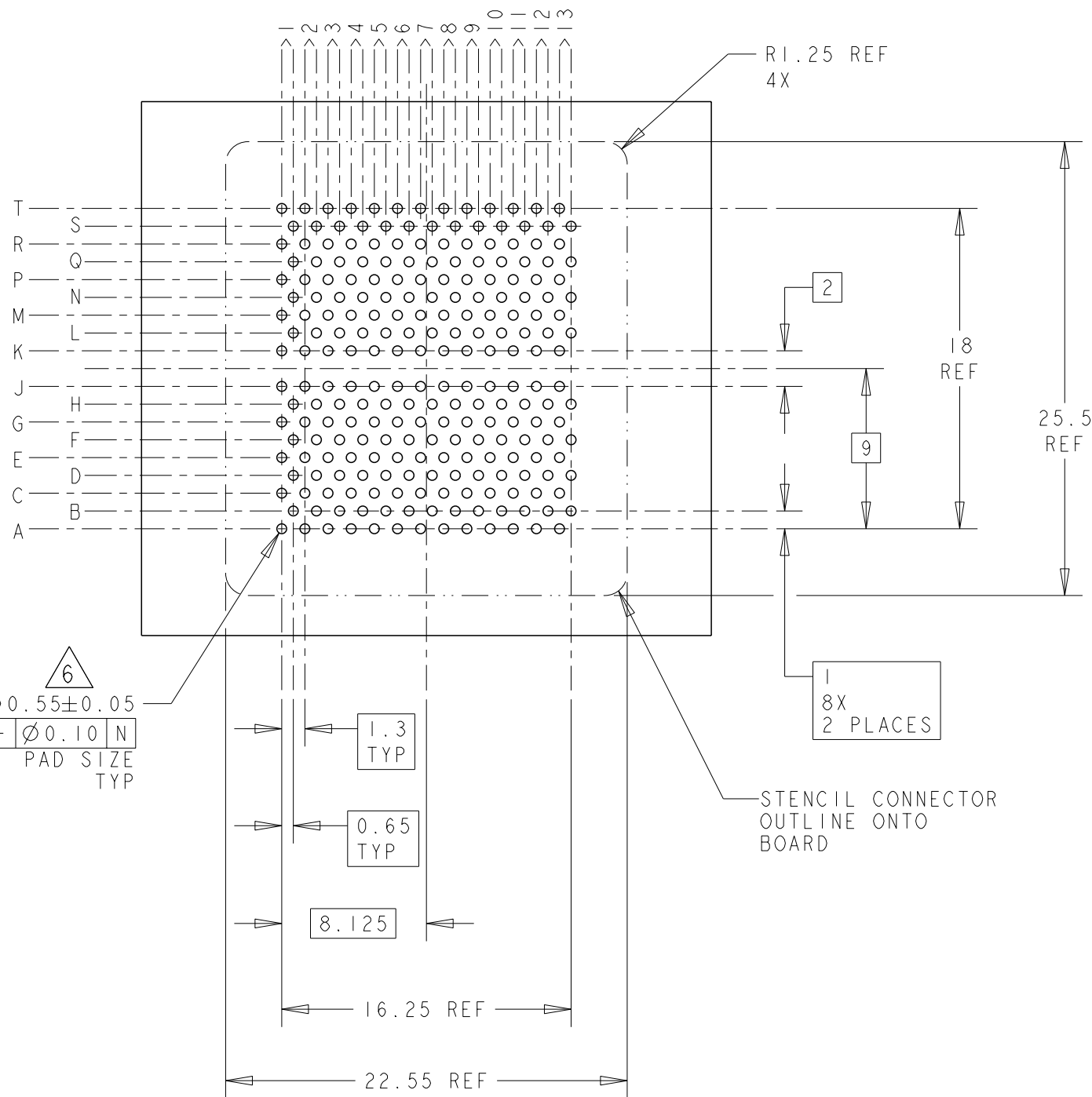
6 SPECIFIED POSITIONAL TOLERANCE DEFINES PAD TO PAD
 LOCATION WITHIN LAND PATTERN. POSITIONAL TOLERANCE
 OF LAND PATTERN TO FUDICIAL MARKS OR PCB DATUMS
 SHALL BE DEFINED BY CUSTOMER. FOR RECOMMENDED
 PRODUCT APPLICATION AND PCB DESIGN DETAILS, SEE
 APPLICATION SPEC 114-13101.

	19.65	20.95	-	20mm Sn/Ag	7-1761612-0
	14.65	15.95	-	15mm Sn/Ag	6-1761612-5
	12.65	13.95	-	13mm Sn/Ag	6-1761612-3
	11.65	12.95	-	12mm Sn/Ag	6-1761612-2
	9.65	10.95	-	10mm Sn/Ag	6-1761612-0
OBSOLETE	19.65	20.95	-	20mm Sn/Pb	2-1761612-0
	14.65	15.95	-	15mm Sn/Pb	1-1761612-5
	12.65	13.95	-	13mm Sn/Pb	1-1761612-3
	11.65	12.95	-	12mm Sn/Pb	1-1761612-2
	9.65	10.95	-	10mm Sn/Pb	1-1761612-0
	DIM H	DIM G	LOAD STYLE	DESCRIPTION	PART NUMBER

THIS DRAWING IS A CONTROLLED DOCUMENT.		DWN P BRANDBERG 18 JAN 05	 TE Connectivity		
DIMENSIONS: mm		CHK D WERTZ 20 JAN 05			
		APVD D WERTZ 20 JAN 05	NAME STEP-Z, PLUG ASSEMBLY, 104 SIGNAL POSITION		
TOLERANCES UNLESS OTHERWISE SPECIFIED: 0 PLC ±- 1 PLC ±0.3 2 PLC ±0.10 3 PLC ±0.050 4 PLC ±- ANGLES ±2°		PRODUCT SPEC 108-2143	RESTRICTED TO		
MATERIAL		APPLICATION SPEC 114-13101	SIZE A3	CAGE CODE 00779	DRAWING NO 1761612
FINISH		WEIGHT -	SCALE 2:1 SHEET 2 OF 3 REV A3		
CUSTOMER DRAWING					

printed on 24 Apr 2021 19:24 from FRO19828

P	LTR	DESCRIPTION	DATE	DWN	APVD
-	-	SEE SHEET 1	-	-	-



PLUG INTERFACE
SCALE 8:1

BOARD PATTERN
SCALE 3:1

THIS DRAWING IS A CONTROLLED DOCUMENT.		DWN P BRANDBERG 18 JAN 05		
DIMENSIONS: mm		CHK D WERTZ 20 JAN 05		
TOLERANCES UNLESS OTHERWISE SPECIFIED:		APVD D WERTZ 20 JAN 05	NAME STEP-Z, PLUG ASSEMBLY, 104 SIGNAL POSITION	
0 PLC ±- 1 PLC ±0.3 2 PLC ±0.10 3 PLC ±0.050 4 PLC ±- ANGLES ±2°		PRODUCT SPEC 108-2143	SIZE A3	
MATERIAL		APPLICATION SPEC 114-13101	CAGE CODE 300779	DRAWING NO C-1761612
FINISH		WEIGHT -	RESTRICTED TO	
		CUSTOMER DRAWING	SCALE 2:1	SHEET 3 OF 3
			REV A3	

Printed on 24 Apr 2021 19:24 from FRO19828