

Bellnix High Isolated Type, Small Size DC-DC Converter

1.5 Watt BY-H Series



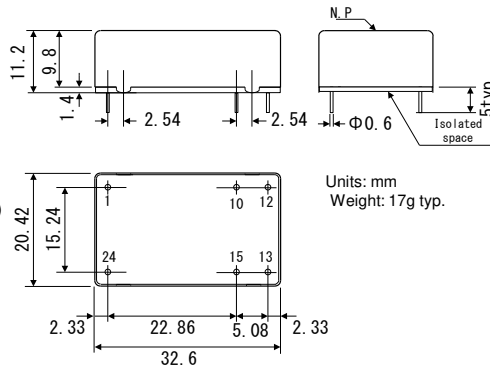
AC1500V High Isolated Type DC-DC Converter

Input: 5V Output: 5V, ±12V

- Isolation Voltage AC1500V
- Long-Life with TCT Patent Circuit
- 24pin-DIP IC Size
- Over-Heat Protection
- No Electrolytic Capacitor, No Tantalum Capacitor
- Floating Type between Input and Output
- 5-Side Metallic shield structure
- EMI Line Filter
- Over-Current Protection
- RoHS Compliance
- Operating Temp Range: -20°C to +70°C (Derating required for 50°C or higher)
- Additional capacitors are the same as those of BY-SL, BY-WL series.

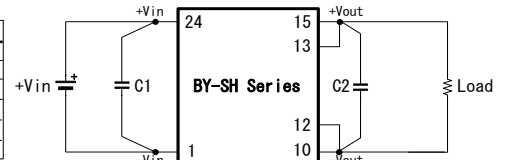
Models BY-H Series	Input V Vdc	Output V Vdc	Output I mA	Line Reg % (typ.)	Load Reg % (typ.)	Ripple/Noise mVpp(typ.)	Efficiency % (typ.)
BY05-05S20H	4.75-6	5	0-200	0.3	0.3	100	60
BY05-12W06H		±12	±0-65				

Note 1: Derating required for input voltage 5.25V or higher.



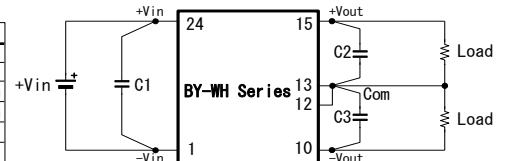
BY-SH

Pin	Function
1	-Vin
10	-Vout
12	-Vout
13	+Vout
15	+Vout
24	+Vin



BY-WH

Pin	Function
1	-Vin
10	-Vout
12	Common
13	Common
15	+Vout
24	+Vin



- Note! This catalogue is an outline of the product. When designing, be sure to refer to the datasheet.