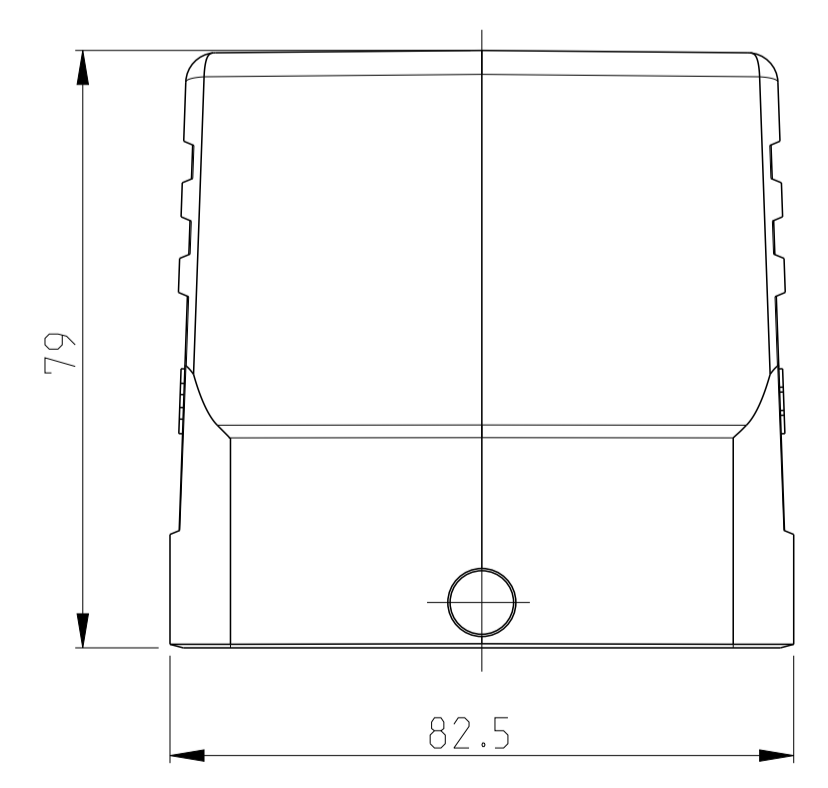
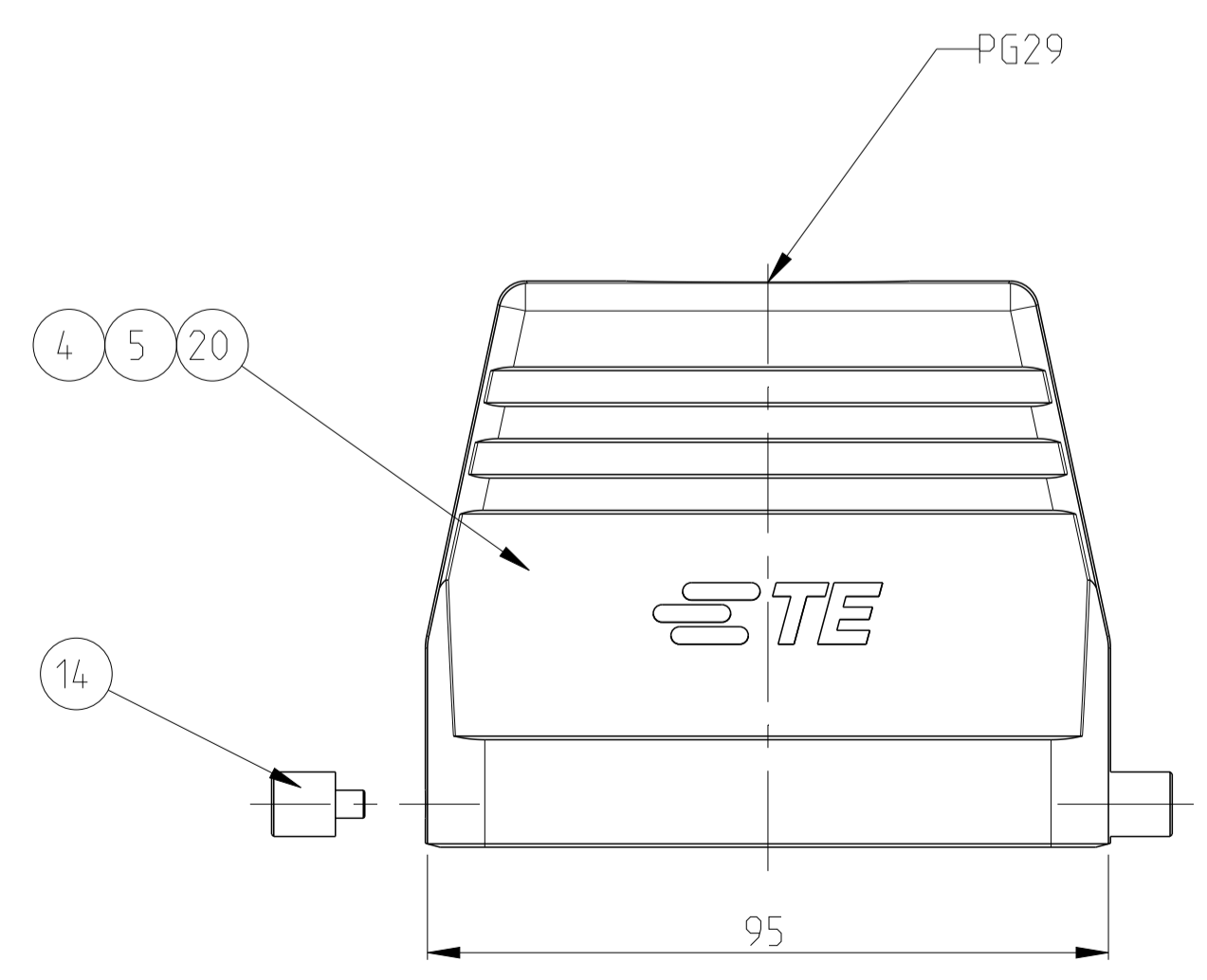
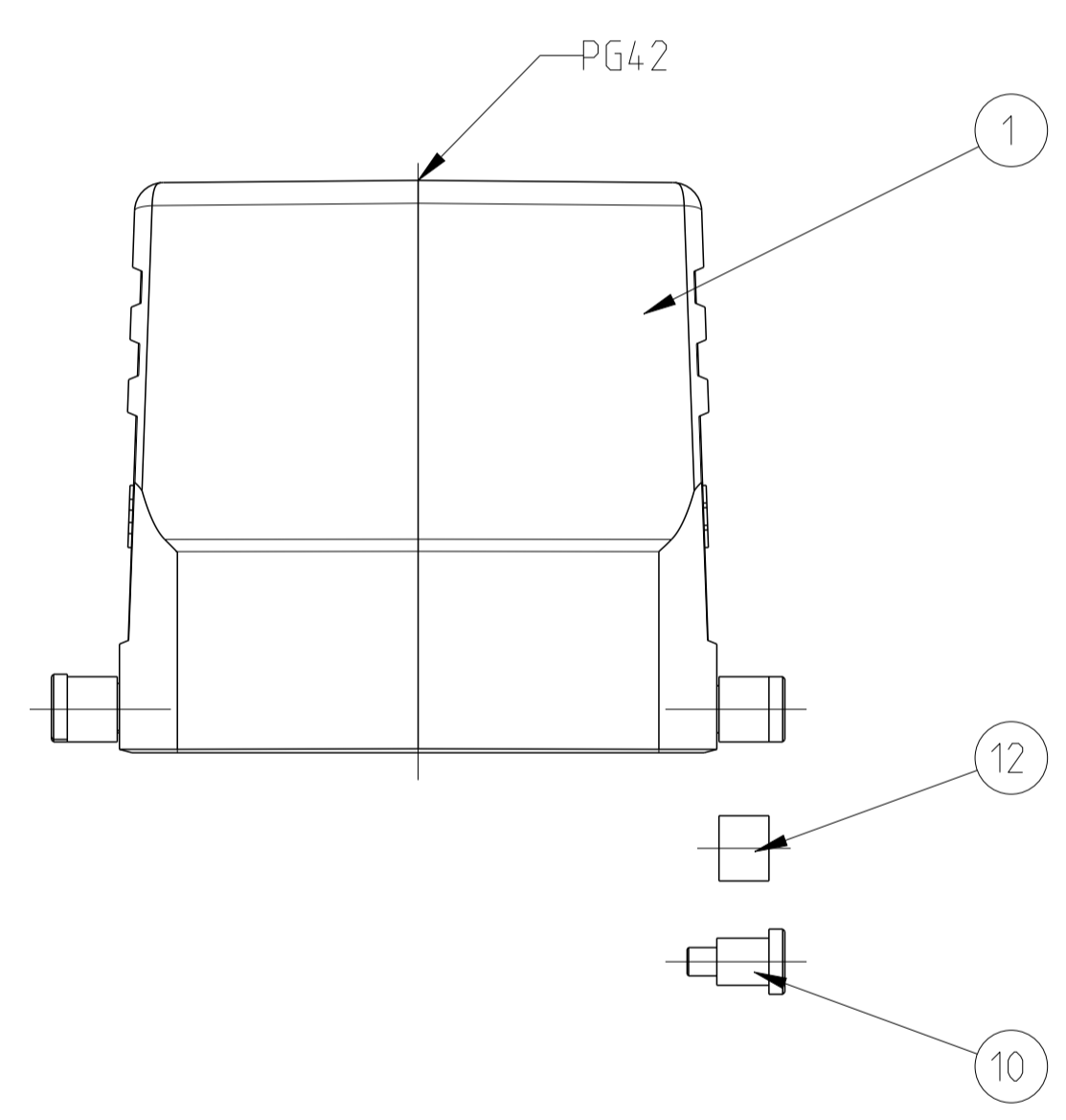
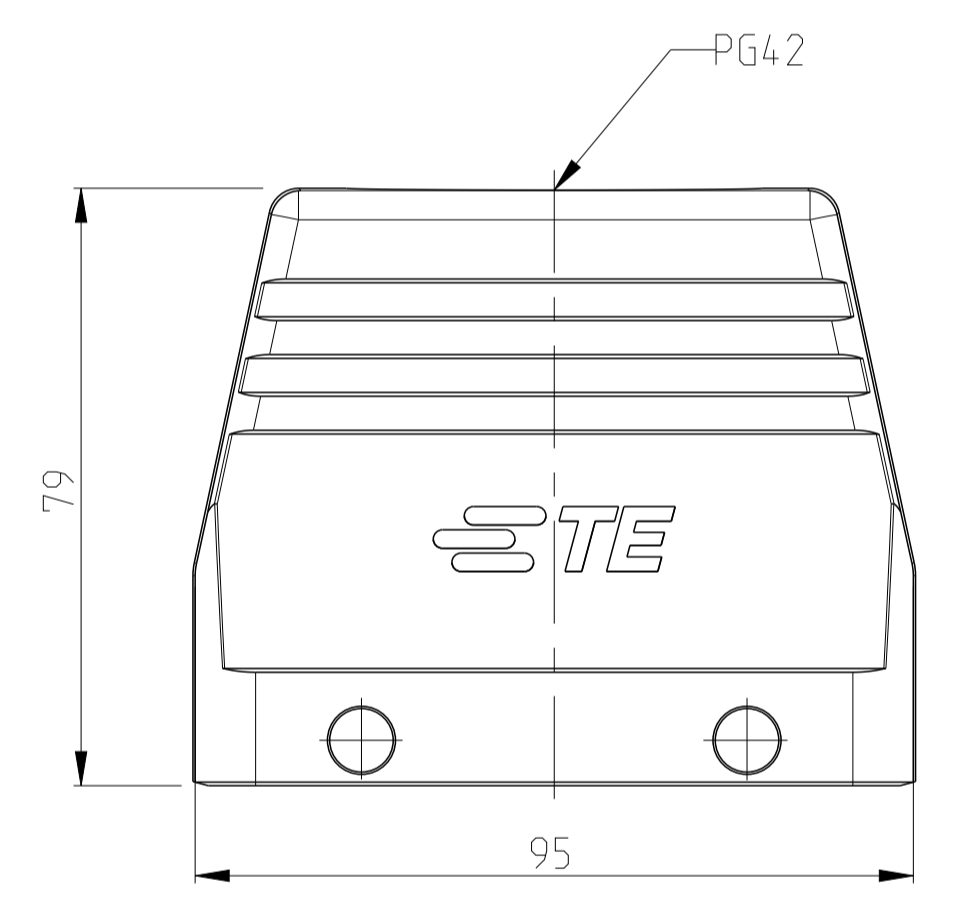
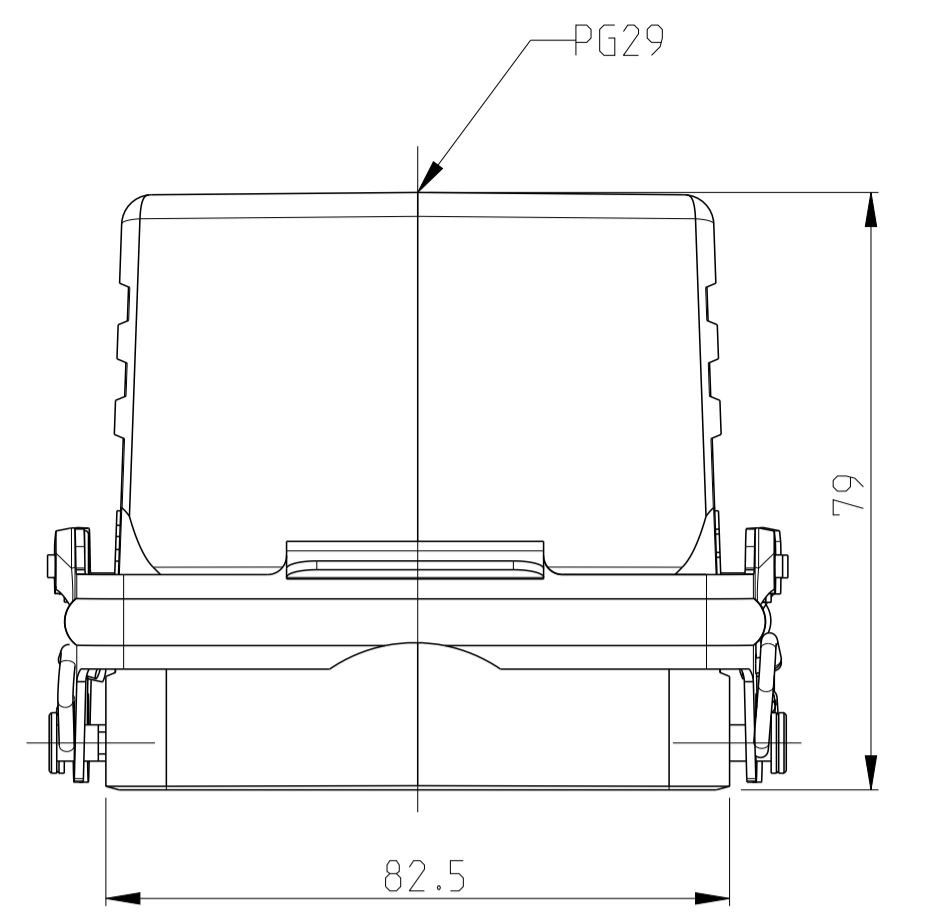
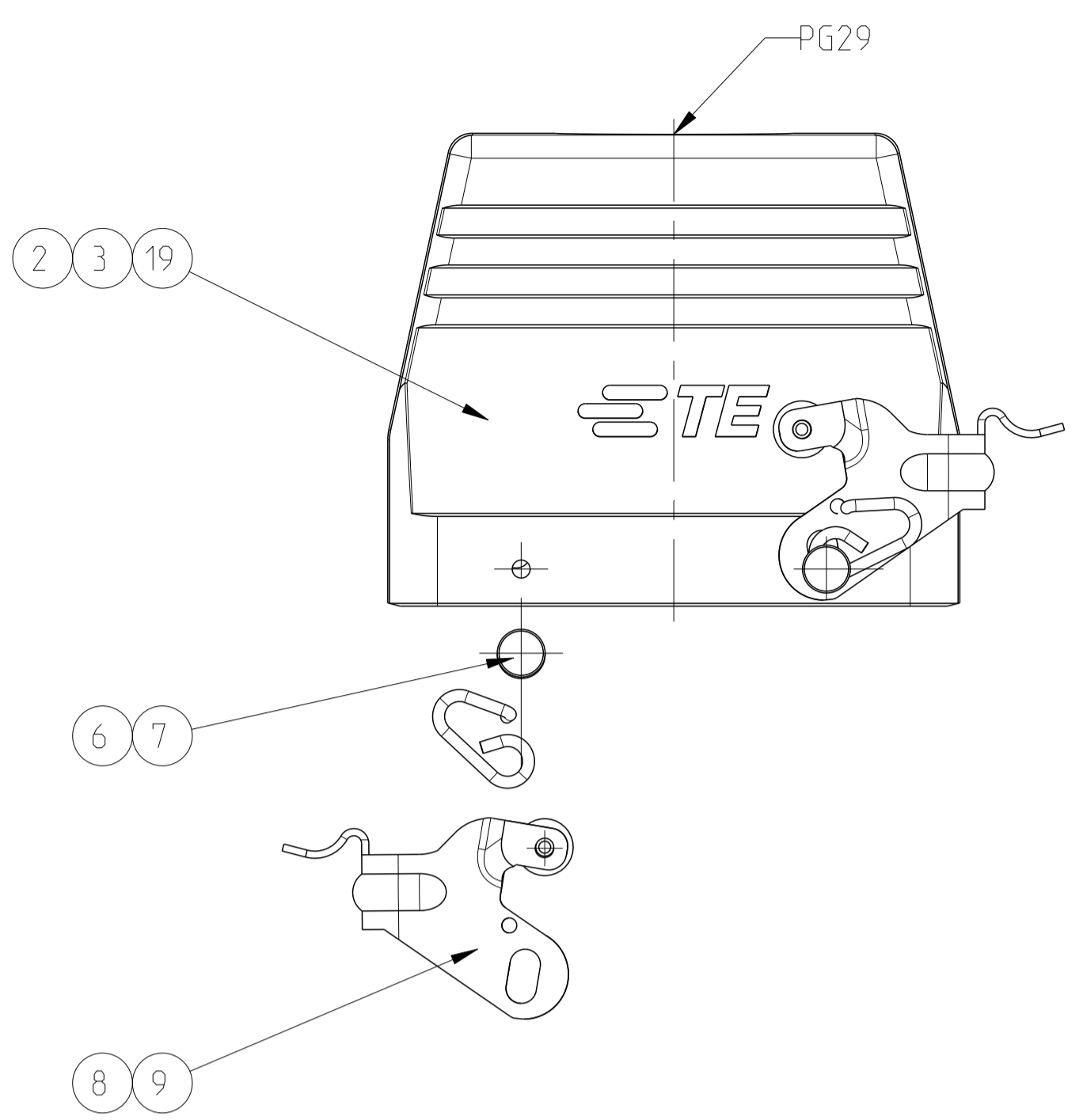


REVISIONS					
P	LTN	DESCRIPTION	DATE	DMN	APVD
C3	ECR-16-002308		02MAR2016	GCM	JB
C4	ECR-16-015318		18AUG2017	GR	MKO
C5	REVISED PER ECR-17-013084		11JAN2018	SRG	MKO
C6	ECR-21-123293		24FEB2022	RK	JB



- NOTES
- PART SHALL BE FREE AND CLEAN OF BURRS AND OTHER FOREIGN MATERIAL
  - PACKAGING: QUANTITY 3 PIECES
  - VARNISHING INSIDE HOUSING NOT REQUIRED

QTY	DESCRIPTION	MATERIAL	SURFACE	COLOR	ITEM	NOTES
1	HOOD	ALUMINIUM		GREY	20	
1	HOOD	ALUMINIUM		GREY	19	
2	CLIP SPRING RIGHT	STEEL	ZINC PLATED	BLUE	18	
2	CLIP SPRING RIGHT	STEEL	ZINC PLATED	BLUE	17	
2	CLIP SPRING LEFT	STAINLESS STEEL	BLANC		16	
2	CLIP SPRING LEFT	STEEL	ZINC PLATED	BLUE	15	
2	CLIP BOLT LB	STAINLESS STEEL	BLANC		14	
4	CLIP BOLT VS	STEEL	ZINC PLATED	BLUE	13	
2	SLIDE SPOOL	STAINLESS STEEL	BLANC		12	
2	CLIP BOLT	STAINLESS STEEL	BLANC		11	
2	CLIP BOLT	STAINLESS STEEL	BLANC		10	
2	LOCKING CLIP	STEEL	ZINC PLATED	BLUE	9	
2	LOCKING CLIP	STEEL	ZINC PLATED	BLUE	8	
2	CLIP POSITIONER				7	
2	CLIP POSITIONER				6	
1	HOOD	ALUMINIUM	ALUMINIUM OXID	BLACK	5	NEUTRAL
1	HOOD	ALUMINIUM		GREY	4	
1	HOOD	ALUMINIUM	ALUMINIUM OXID	BLACK	3	
1	HOOD	ALUMINIUM		GREY	2	NEUTRAL
1	HOOD	ALUMINIUM		GREY	1	
0-3	DESCRIPTION	MATERIAL	SURFACE	COLOR	ITEM	NOTES
0-3	HB.32.STO.1.42.G					
0-2	HB.32.STO-VS.1.29.G					
2-7	HB-K.32.STO-VS.1.29.G					
1-7	HB.32.STO.1.29.G					
2-6	HB-K.32.STO.1.29.G					
1-6	HB.32.STO-GR.1.29.G					
2-1	HB-K.32.STO-GR.1.29.G					
1-1	HB.32.ST					
0-1	HB-K.32.STO-GR.1.29.G					

THIS DRAWING IS A CONTROLLED DOCUMENT. DMN: R.SCHNEIDER 12MAY2009  
 CHN: T.SCHNURPFEL 12MAY2009

DIMENSIONS: mm  
 TOLERANCES UNLESS OTHERWISE SPECIFIED:  
 0 PLC # # #  
 1 PLC # # #  
 2 PLC # # #  
 3 PLC # # #  
 4 PLC # # #  
 ANGLES # # #  
 FINISH # # #

MATERIAL: -  
 FINISH: -

APVD: -  
 PRODUCT SPEC: -  
 APPLICATION SPEC: -  
 WEIGHT: -  
 CUSTOMER DRAWING

NAME: HOOD HB.32.STO  
 SIZE: A1  
 CAGE CODE: 00779  
 DRAWING NO: C=1102351  
 RESTRICTED TO: -  
 SCALE: 1:1  
 SHEET: 1 OF 1  
 REV: C6

**STE** TE Connectivity