
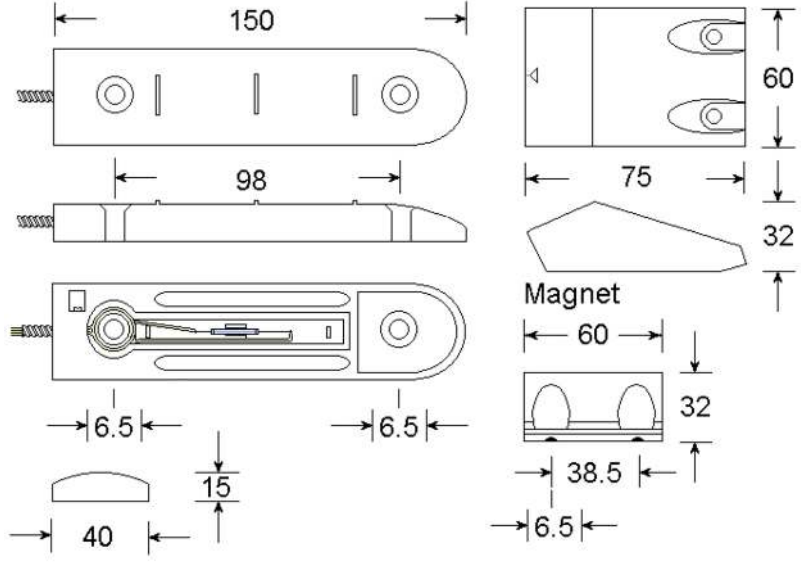


PICTURE	DIMENSIONS
 <p style="color: green; font-weight: bold;">✓ RoHS Compliant</p>	 <p style="text-align: right; font-size: small;">Drawings not to scale All dimensions in mm nominal</p>

SPECIFICATION		
Contact Form		Dual contact EOL
Magnetitic Protection		Reed based Magnetic interference protection
Switching Voltage	Max Volts DC	15
Switching Current	Max Amps	0.5
Tamper Protection		Yes
Zone Protection		Yes Supervised (EOL)
Operating Gap (approx)	mm	35
Resistor Combinations		Adjustable through wire combination
Operating Temperature	Celsius	- 40° to 50°
Case Material		Cast Aluminium
Cable		1m Armoured

Applications Include	Features
<ul style="list-style-type: none"> <li>Alarm Systems.</li> <li>Appliance switching.</li> <li>Production Automation.</li> <li>Safety Door Guards.</li> </ul>	<ul style="list-style-type: none"> <li>Robust and heavy duty design.</li> <li>Magnetic interference protection.</li> <li>Armoured 1m cable.</li> <li>Encapsulated to protect again water ingress.</li> </ul>

Did you know we also sell?



Float Switches



Pressure Switches



Magnets



Proximity Switches



Reed Switches



Reed Relays



Solid State Relays

Rev. No.	Revision Note	Date	Signature
1	Datasheet	10-08-15	ML

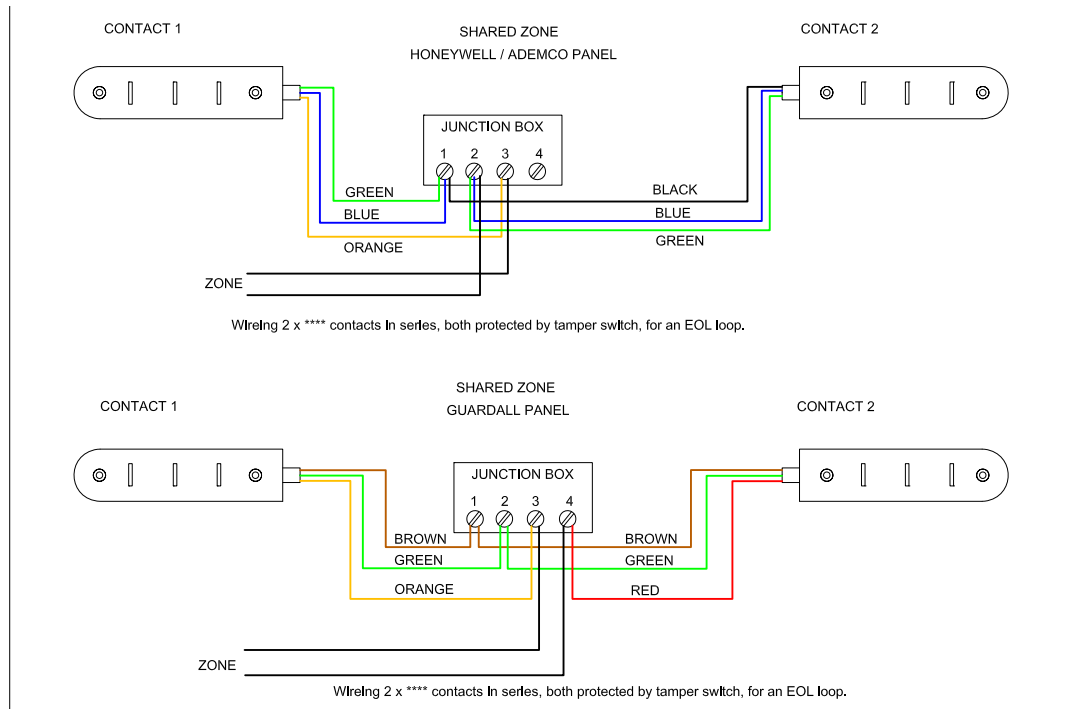


As part of the company policy of continued product improvement, specifications may change without notice. Our sales office will be pleased to help you with the latest information on this product range and the details of our full design and manufacturing service. All products are supplied to our standard conditions of sale unless otherwise agreed in writing.

ISO 9001:2008  
Certificate No. FM21080

**Phone : +44 (0)1255 862236      www.comus-intl.com      Fax: +44 (0)1255 862014**

**WIRING**



**Contact Table**

Single Zone Contact table				
Control panel	Value		Single Contact	
	EOL	ALARM	EOL	ALARM
Honeywell Ademco, Galaxy	1K	1K	Black	Green Blue
Europlex	2K2	2K2	Red Yellow	Green Brown
Castle, Menvier Pyronix, Texecom Scantronix	2K2	4K7	Red Yellow	Green White
Aritech	4K7	4K7	Yellow	Green White
Guardtec	4K7	6K8	Yellow	Green
Guardall	8K2	8K2	Red	Red

Shared Zone Contact Table					
Value		Contact 1		Contact 2	
EOL	Alarm	EOL	Alarm	EOL	Alarm
1K	1K	Orange	Green Blue	Black	Green Blue
2K2	2K2	Orange	Green Brown	Red Yellow	Green Brown
2K2	4K7	Orange	Red Yellow	Red Yellow	Green White
4K7	4K7	Orange	Green White	Yellow	Green White
4K7	6K8	Orange	Green	Yellow	Green White
4K1	8K6	Orange	Brown Green	Brown Green	Red

Rev. No.	Revision Note	Date	Signature
1	Datasheet	10-08-15	ML



As part of the company policy of continued product improvement, specifications may change without notice. Our sales office will be pleased to help you with the latest information on this product range and the details of our full design and manufacturing service. All products are supplied to our standard conditions of sale unless otherwise agreed in writing.

Phone : +44 (0)1255 862236

www.comus-intl.com

Fax: +44 (0)1255 862014

ISO 9001:2008 Certificate No. FM21080