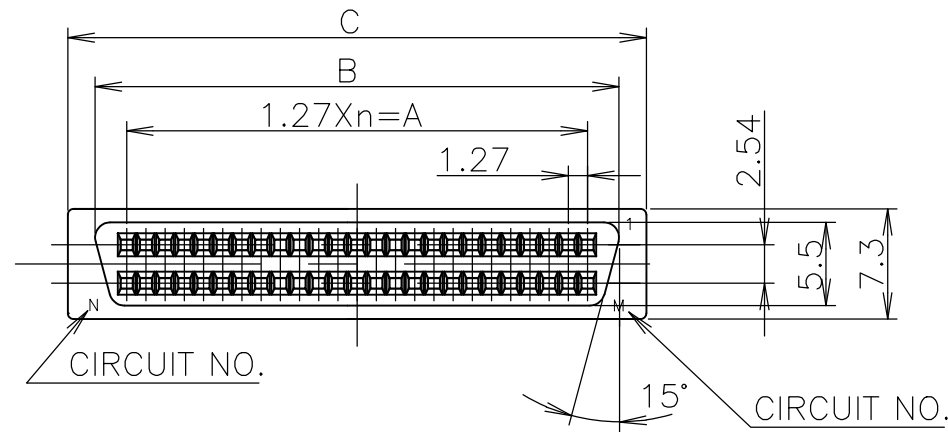


P	LTR	DESCRIPTION	DATE	DWN	APVD
R2		ECO-20-007709	20APR2020	RR	SH

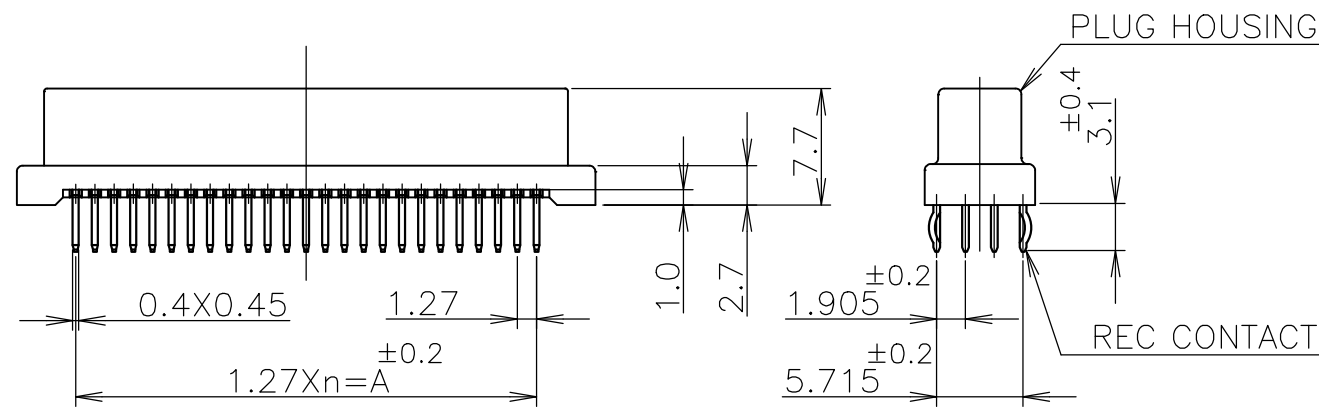


- ① MATERIAL AND FINISH  
PLUG HOUSING ; THERMOPLASTIC (UL94V-0) COLOR:BLACK  
REC. CONTACT ; COPPER ALLOY FINISH,OVER NICKEL  
MATING END:0.0002 MIN. OR 0.00076 MIN. GOLD  
TERMINATION END:TIN  
OVER SEALING TREATMENT.

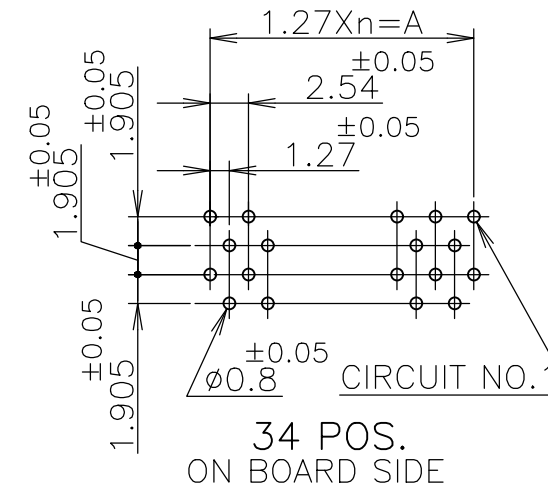
- 2 P.C.B. LAYOUT AND P.C.B. TREATMENT(REF.)  
USE A P.C.B. SURFACE ARE TREATED WITH SOLDER RESIST.

- ③ KINK POSITIONS(4 POSITIONS).

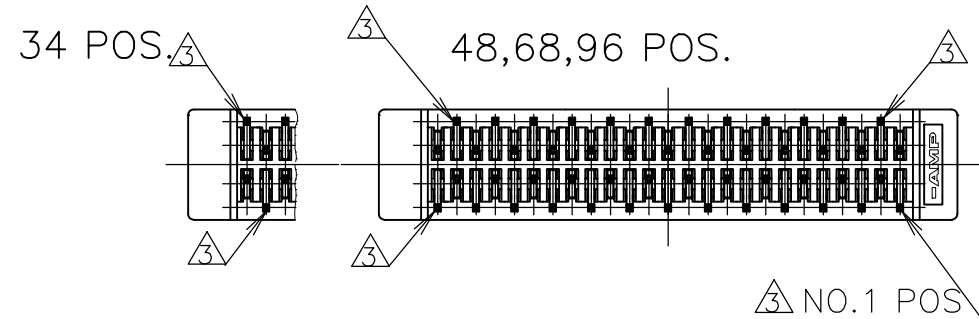
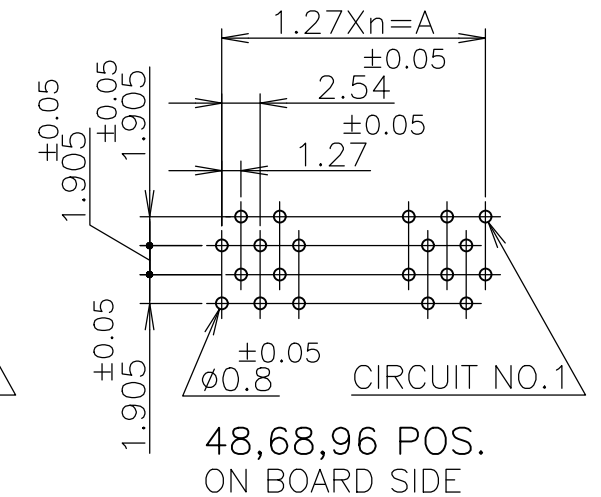
- ④ OBSOLETE PARTS: OBSOLETE CIS STREAMLINING PER D.RENAUD/D.SINISI



UNACCUMULATE TOLERANCE



UNACCUMULATE TOLERANCE



④	OBSOLETE	Au PL. 0.00076 MIN.	96	49	59.69	63.86	71.00	47	96	6	8
			68	35	41.91	46.08	53.22	33	68	6	7
			48	25	29.21	33.38	40.52	23	48	6	6
			34	18	20.32	24.49	31.63	16	34	6	5
④	OBSOLETE	Au PL. 0.0002 MIN.	96	49	59.69	63.86	71.00	47	96		8
			68	35	41.91	46.08	53.22	33	68		7
			48	25	29.21	33.38	40.52	23	48		6
			34	18	20.32	24.49	31.63	16	34		5
REMARK			N	M	A	B	C	n	POS.	PART NO.	
			CIRCUIT NO.			DIMENSION					

THIS DRAWING IS A CONTROLLED DOCUMENT.

DIMENSIONS:  
単位: 耗  
mm

TOLERANCES UNLESS  
OTHERWISE SPECIFIED:  
一般公差

0 PLC	± -
1 PLC	± -
2 PLC	± -
3 PLC	± -
4 PLC	± -
ANGLES	± -
FINISH 仕上	④

GENERAL TOLERANCE  
一般公差

10 ≥	±0.2
30 ≥ > 10	±0.25
100 ≥ > 30	±0.3
ANGLES	±3°

MATERIAL  
材料



DWN T.KAWAMAE 18JAN05

CHK I.ENOMOTO 18JAN05

APVD I.ENOMOTO 18JAN05

PRODUCT SPEC  
製品規格

108-60036

APPLICATION SPEC  
取付適用規格

WEIGHT 0.000000

CUSTOMER DRAWING

**STE** TE Connectivity

PLUG ASSY VERTICAL (W/KINK)  
AMPLIMITE .050 SERIES I B-TO-B CONN.

SIZE	CAGE CODE	DRAWING NO 番号	RESTRICTED TO
A3	00779	C-5174681	-

SCALE 尺度	SHEET	REV
2:1	1 OF 1	R2