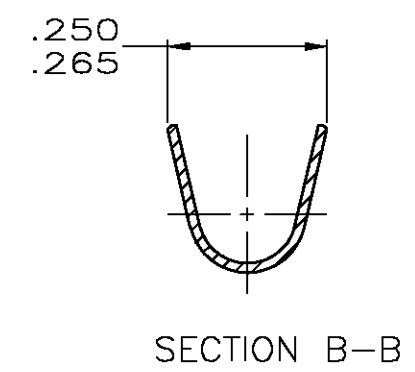
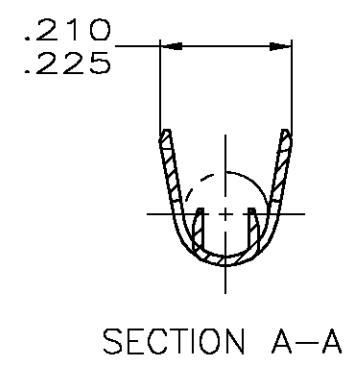
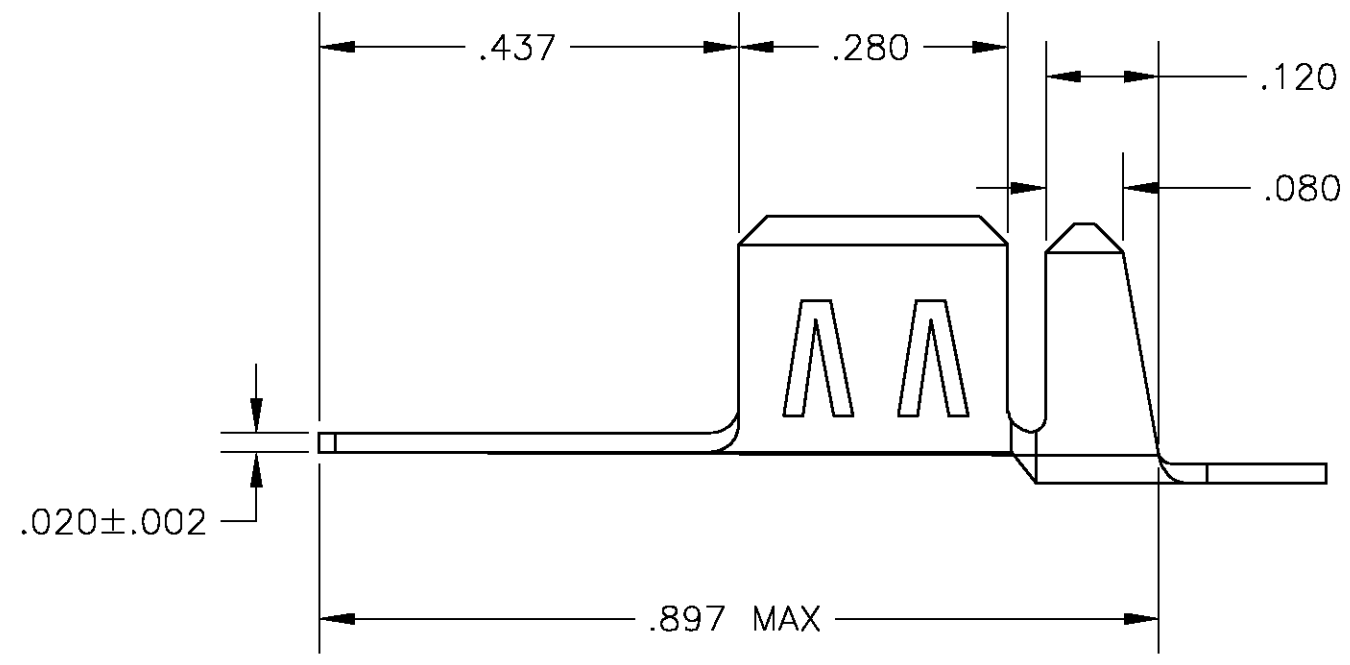
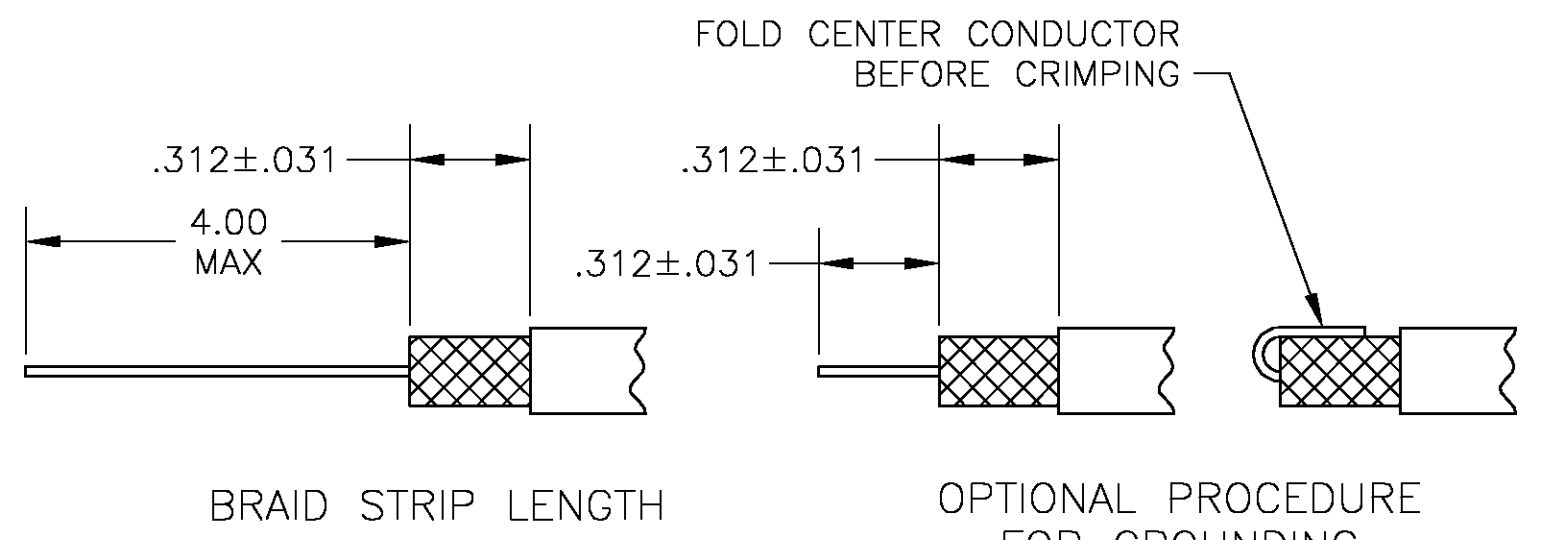
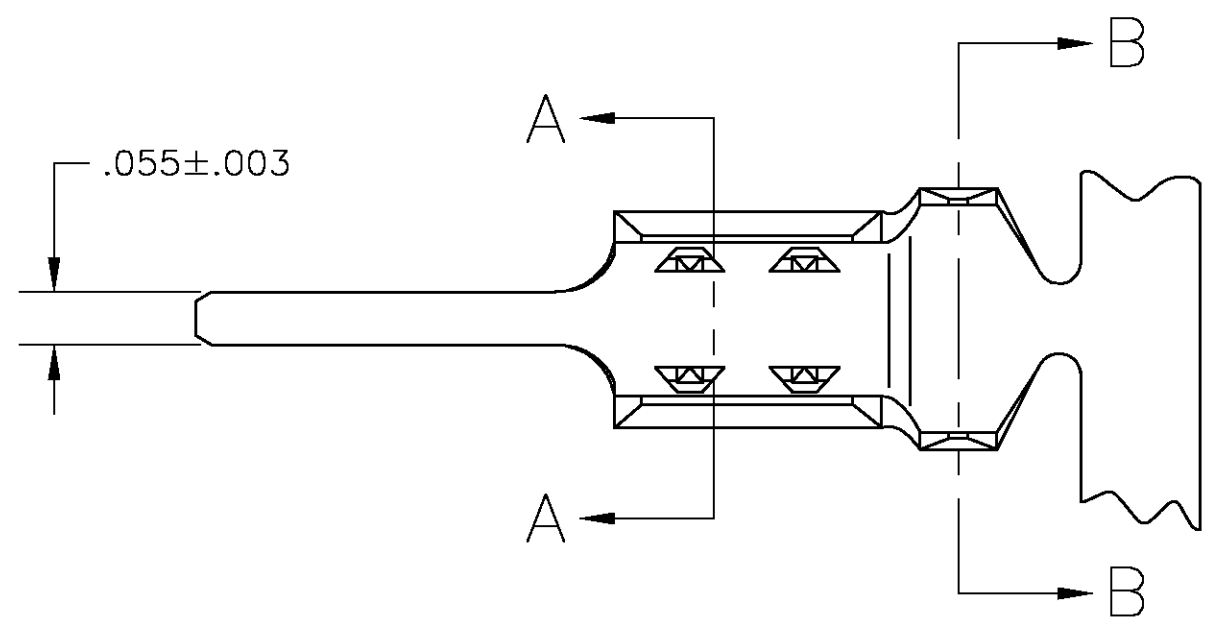


THIS DRAWING IS UNPUBLISHED. RELEASED FOR PUBLICATION  
 © COPYRIGHT BY TYCO ELECTRONICS CORPORATION. ALL RIGHTS RESERVED.

LOC	DIST	REVISIONS					
AJ	16	P	LTR	DESCRIPTION	DATE	DWN	APVD
		A		REV PER OS14-0114-04	04-26-04	JDP	DPG



- FOR USE WITH RG 58/U L CABLE.
- FOR USE WITH .062 DIA. BOARD HOLE.

- 3 TIN-LEAD PLATE PER ASTM B-545
- 4 TIN PLATE PER ASTM B-545

4	9-226854-0
3	226854-1
FINISH	PART NUMBER

THIS DRAWING IS A CONTROLLED DOCUMENT.		DWN T SMITH 10-04-83	Tyco Electronics Corporation Harrisburg, PA 17105-3608	
DIMENSIONS: INCHES		CHK C.F. 10-04-85		
TOLERANCES UNLESS OTHERWISE SPECIFIED:		APVD R.K. 10-04-85	NAME COAXIAL PCB TERMINAL, PICK CRIMP TYPE BRAID-PIC	
0 PLC ± - 1 PLC ± - 2 PLC ± - 3 PLC ± .008 4 PLC ± - ANGLES ± -		PRODUCT SPEC -	SIZE A3	
MATERIAL BRASS, ASTM B 36		APPLICATION SPEC -	CAGE CODE 00779	DRAWING NO C-226854
FINISH		WEIGHT -	RESTRICTED TO -	
CUSTOMER DRAWING			SCALE 5:1	SHEET 1 OF 1
			REV A	