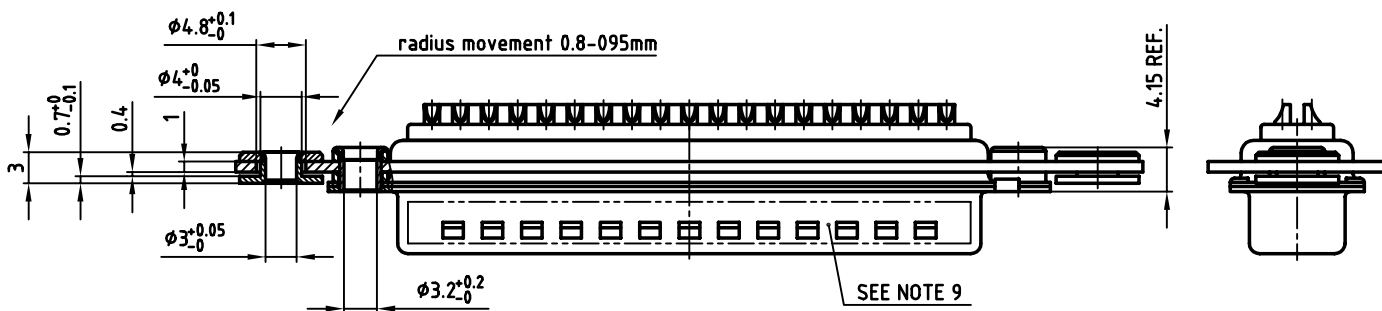
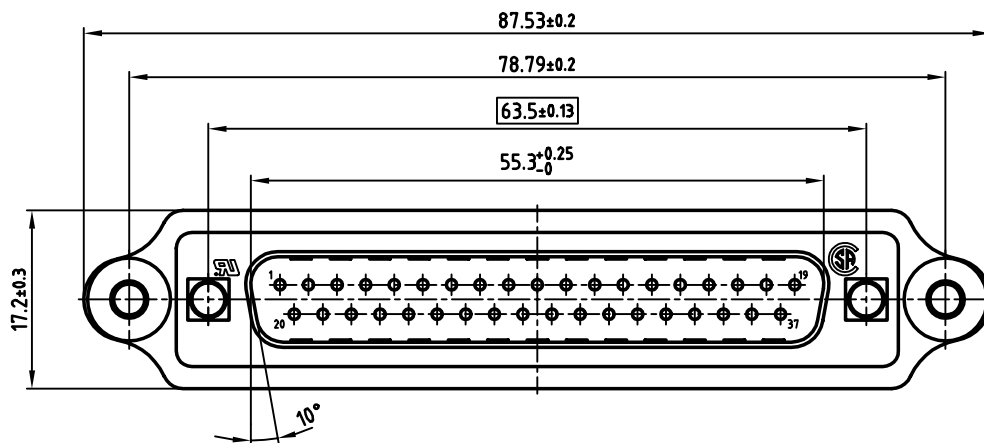
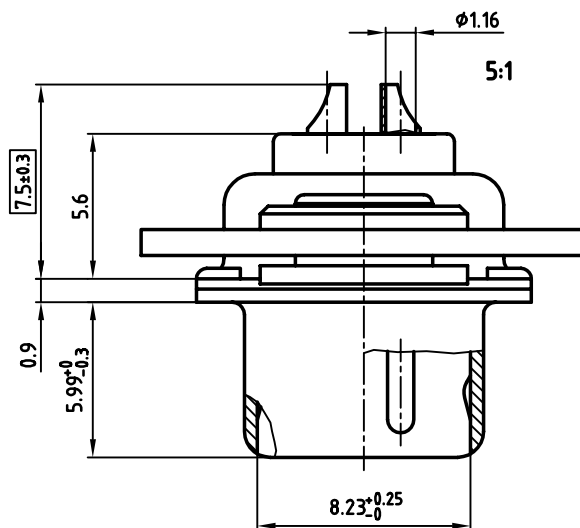


used for: D-SUB

NOTES:

1. METALSHELLS: STEEL; min. 320µ" TIN
2. INSULATORS: PBT GF UL 94 V-0, BLACK
3. CONTACTS: COPPER ALLOY
4. PLATING: min. 8µ" HARD GOLD OVER min. 50µ" NICKEL
5. FRAME: STEEL; 315µ" YELLOWCHROME OVER 120µ" ZINC
6. FLOAT MOUNTS: COPPER ALLOY; max. 200µ" NICKEL
7. RIVETED INSERT: COPPER ALLOY; min. 200µ" TIN over 80µ" NICKEL
8. COLLAR: COPPER ALLOY min. 200µ" TIN over 80µ" NICKEL
9. CONNECTOR IS PART MARKED: 163A05529A CONEC Y/WW
10. = CRITICAL DIMENSION



THIS DRAWING MAY NOT BE COPIED OR REPRODUCED IN ANY WAY, AND MAY NOT BE PASSED ON TO A THIRD PARTY, WITHOUT WRITTEN PERMISSION. OWNERSHIP AND COPYRIGHT OF CONEC GmbH DO NOT ALTER CAD DRAWING BY HAND	tolerance				scale: 2:1 (5:1)
					material: SEE NOTES
	2002	date	name		title: D-SUB MALE SOLDER CUP 37pos. with FRAME, FLOAT for BLIND MATING SYSTEM
	drawn	10.05.	Parei		
	appd.	10.05.	E. Mickenbecker		
norm	DIN 41652				
d-old				dwg no: AutoCAD 2000	
				DIN-A	
				3	
				sh: 1/1	
rev.	description	date	name		
					part no: 163A05529A