


HC-B 10-TMS-100/O1STM32S-EUA

Order No.: 1690150

<http://eshop.phoenixcontact.de/phoenix/treeViewClick.do?UID=1690150>

HEAVYCON ADVANCE for increased environmental requirements,
sleeve housing B10, with screw locking, height 100 mm, with 1xM32
thread, lateral cable outlet

Commercial data	
GTIN (EAN)	 4 017918 822354
sales group	D201
Pack	10 pcs.
Customs tariff	85389099
Catalog page information	Page 477 (PC-2009)

Product notes

WEEE/RoHS-compliant since:
06/28/2006

<http://www.download.phoenixcontact.com>
Please note that the data given here has been taken from the online catalog. For comprehensive information and data, please refer to the user documentation. The General Terms and Conditions of Use apply to Internet downloads.

Technical data	
General data	
Note	For contact inserts HC-B10, BB18, DD42, M, K8/24
Design	B10
Height	100 mm
Width	57 mm

Length	105 mm
Housing type	Sleeve housings
Locking type	Screw locking
Torque	3 Nm (Locking screw)
Fixing screws	M6
Cable exit	Lateral
Type of the screw connection	1x M32
Degree of protection	IP65 / IP68 (0.2 bar, 24h) / IP69K
Ambient temperature (operation)	-40 °C ... 125 °C
Housing material	Die-cast aluminum, corrosion resistant
Housing surface material	Powder-coated, black
Seal material	Viton
Material lock	High-grade steel
Length of the assembly cutout	65 mm
Width of the assembly cutout	35 mm

Certificates / Approvals



Certification GOST

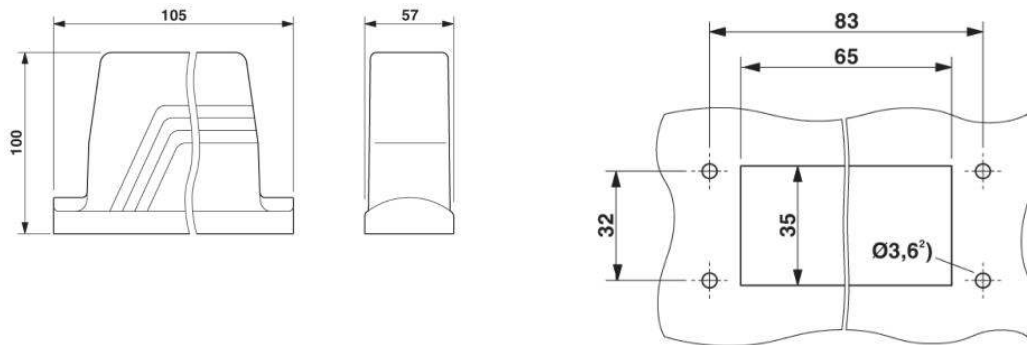
Accessories

Item	Designation	Description
Assembly		
1686533	HC-B-AF	Panel mounting flange for HEAVYCON ADVANCE sleeve housing
1604638	HC-B-AF-SET	Panel mounting flange for screw locking, set comprising 2 panel mounting flanges with 4 self-tapping Torx head screws and 4 fan-type washers
General		
1690749	HC-B 10-TMS-SD-IP50	HEAVYCON ADVANCE IP50 protective cover B10, for panel mounting side, with clip locking, with retaining cord, diameter of retaining cord eyelet 3 mm

1690781	HC-B 10-TMS-SD-IP65	HEAVYCON ADVANCE IP65 protective cover B10, for panel mounting side, with screw locking, with retaining cord, diameter of retaining cord eyelet 3 mm
---------	---------------------	--

Diagrams/Drawings

Dimensioned drawing



Panel cutout

²⁾ When self-tapping Torx screws are used (Torx20, M4)

Address

PHOENIX CONTACT Inc., USA
586 Fulling Mill Road
Middletown, PA 17057, USA
Phone (800) 888-7388
Fax (717) 944-1625
<http://www.phoenixcon.com>



© 2010 Phoenix Contact
Technical modifications reserved;