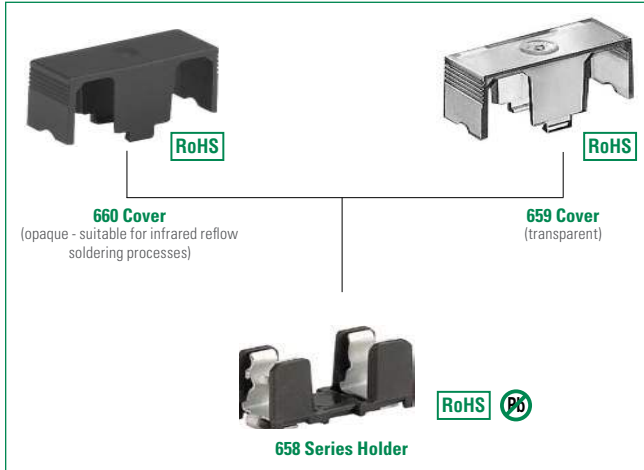


658 Series Molded Base Surface Mount Fuse Block For 5x20mm Fuses

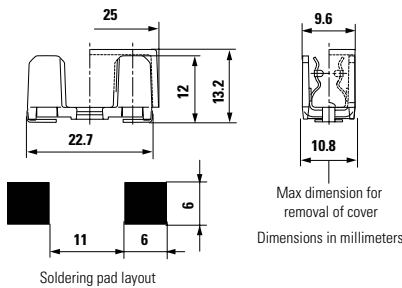


Agency Approval

Agency	Agency File Number
	40001499
	E70164*

*See Ordering Info

Dimensions

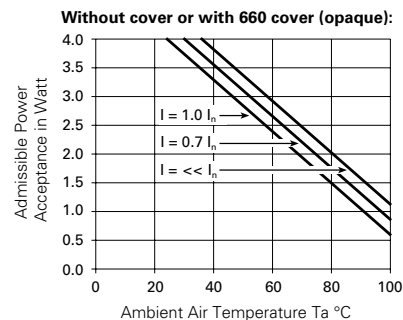
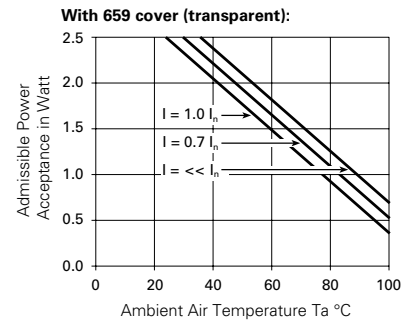


Product Characteristics

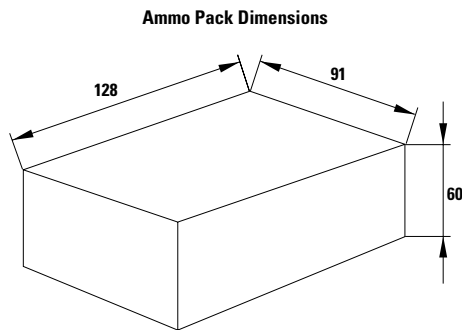
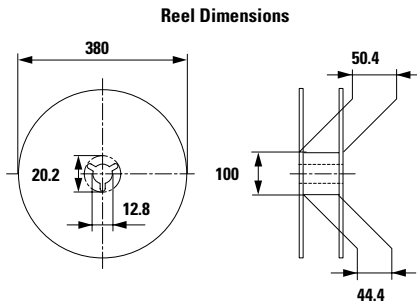
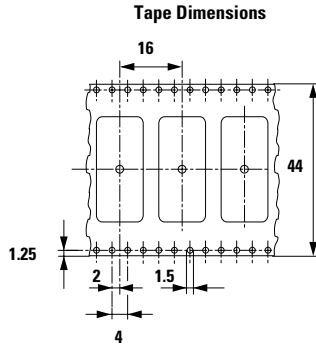
Compatible Fuse	5x20 mm
Materials	Clip Frame: 65800001xxx: UL94 V-0 Black Thermoplastic 65800003xxx: UL94 V-0 Black LCP 65800004xxx: UL94 V-0 Black LCP
	Clip Terminals: 65800001xxx: Tin (Sn) plated copper alloy 65800003xxx: Tin (Sn) plated copper alloy 65800004xxx: Gold (Au) plated copper alloy
Electrical Data	Rated Voltage: 250 Vac (VDE); 500 Vac/dc (UL/CSA)
	Rated Current: UL (16 A) VDE (10 A)
Mounting	Rated Power Acceptance (at ambient air temp 23 °C): - 4 W without cover - 4 W with 660 cover - 2.5 W with 659 cover
	SMT. Reflow soldering
Operating Temperature	-40 °C to +85 °C
Stock Conditions	0 °C to +60 °C, max 70% Relative humidity
Vibration Resistance	According to IEC 60068-2-6, test Fc
Contact Resistance	< 5 mΩ at 20 mV
Dielectric Strength	> 3 kV, 50 Hz, 1 min.
Impulse Withstand Voltage	> 4 kV between L-N
Insulation Resistance	(500 V DC/1 min): >10 MΩ
Solderability	245 - 260 °C / max. 30 sec. acc. to JEDEC J-STD-020D
Soldering Profile	JEDEC J-STD-020C: - 65800001xxx: 245(+0/-5)°C / 30 sec max. - 65800003xxx: 260(+0/-5)°C / 30 sec max. - 65800004xxx: 260(+0/-5)°C / 30 sec max.

Note: If used with covers, refer to [Fuseology](#) for information on proper fuse block re-rating.

Re-Rating Curves



Packaging Dimensions (millimeter)



Ordering Information

65800001009	Fuse Holder - Thermoplastic / Tin terminals (100 pcs bulk)
65800001109	Fuse Holder - Thermoplastic / Tin terminals (400 pcs tape & reel)
65800003009	Fuse Holder - LCP plastic / Tin terminals (100 pcs bulk)
65800003109	Fuse Holder - LCP plastic / Tin terminals (400 pcs tape & reel)
65900001009*	Fuse Holder Cover - Transparent plastic (100 pcs bulk)
66000001009	Fuse Holder Cover - Opaque plastic, suitable for infrared (IR) reflow soldering processes (100 pcs bulk)

* Not UL Recognized

Additional Information



Datasheet
658 Series



Resources
658 Series



Samples
658 Series



Datasheet
659 Series



Resources
659 Series



Samples
659 Series



Datasheet
660 Series



Resources
660 Series



Samples
660 Series