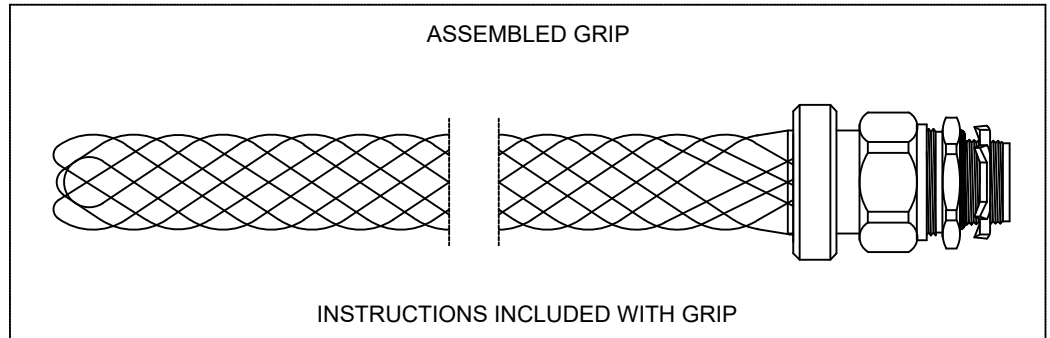
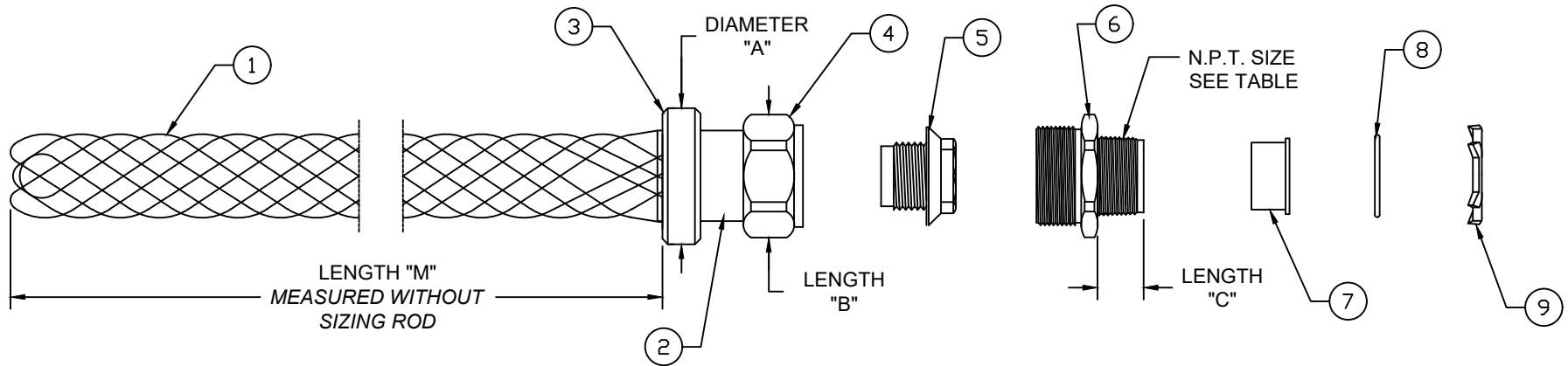


CATALOG NUMBER	MATERIAL NUMBER	CONDUIT SIZE	N.P.T. FITTING SIZE	LENGTH "M"	DIAMETER "A" REF.	LENGTH "B" REF.	LENGTH "C" REF.	PRODUCT SELECTION NUMBER	UL LISTED	CSA APRVD
37100	-----	3/8"	3/8"	9.00±1.00 / 228.6±25.4	1.2 / 30	1.16 / 29.5	.59 / 15.0	STNM038W	Y E S	N O
37104	1300960075	1-1/4"	1-1/4"	17.00±1.50 / 431.8±38.1	2.4 / 61	2.41 / 61.2	.75 / 19.1	STNM125W		
37105	1300960077	1-1/2"	1-1/2"	21.50±2.00 / 546.1±50.8	2.9 / 74	2.78 / 70.6	.75 / 19.1	STNM150W		
37106	1300960079	2"	2"	24.00±2.00 / 609.6±50.8	3.5 / 89	3.38 / 85.9	.75 / 19.1	STNM200W		



ITEM	DESCRIPTION	MATERIAL
1	WIRE MESH	STAINLESS STEEL
2	INNER RING	ZINC PLATED STEEL
3	OUTER RING	ALUMINUM
4	COMPRESSION NUT	ZINC PLATED STEEL OR ZINC PLATED CAST IRON
5	FERRULE	NYLON
6	THREADED BODY	ZINC PLATED STEEL OR ZINC PLATED CAST IRON
7	THROAT INSULATION	PLASTIC
8	O'RING	NEOPRENE
9	LOCK NUT	ZINC PLATED STEEL

FUNCTIONAL SYMBOLS FA=0 FC=0 FE=0	THIS DRAWING CONTAINS INFORMATION THAT IS PROPRIETARY TO MOLEX ELECTRONIC TECHNOLOGIES, LLC AND SHOULD NOT BE USED WITHOUT WRITTEN PERMISSION		
	DIMENSION UNITS	SCALE	CURRENT REV DESC: OBSOLETE PART NUMBER AS PER PCN#510808
	INCH/MM	NTS	
	GENERAL TOLERANCES (UNLESS SPECIFIED)		
DIVISIONAL SYMBOLS		mm	INCH
	4 PLACES	± ----	± ----
	3 PLACES	± ----	± 0.005
	2 PLACES	± 0.13	± 0.01
	1 PLACE	± 0.25	± 0.02
	0 PLACES	± ----	± ----
	ANGULAR TOL ± 0.5 °		
DRAFT WHERE APPLICABLE MUST REMAIN WITHIN DIMENSIONS		THIRD ANGLE PROJECTION	DRAWING A-SIZE
		SERIES	130096

EC NO: 736640		2022/12/22	
DRWN: SUGEEB		2023/02/14	
CHK'D: LIKITV		2023/02/16	
APPR: GGA			
INITIAL REVISION:			
DRWN: HRUIZ01		2014/09/24	
APPR: JFMURPHY		2015/04/27	

DOCUMENT NUMBER		DOC TYPE	DOC PART	REVISION
SD-130096-104		PSD	001	A1
MATERIAL NUMBER	CUSTOMER	SHEET NUMBER		
SEE TABLE	GENERAL MARKET	1 OF 1		