

SUB-MINI & MINIATURE PUSHBUTTONS



Fig. 1



Fig. 2



Fig. 3



Fig. 4



Fig. 5



Fig. 6



Fig. 7



Fig. 8



Fig. 9



Fig. 10



Fig. 11



Fig. 12



Fig. 13

Retail Part No.	Bulk Part No.	Fig. No.	Circuit Function	Poles/Throws	Amps 125 VAC	Amps 250 VAC	Bushing Length	Actuator Length	Actuator Color	Actuator Style	Terminal Type	Mounting Hole	Hardware	Spec. Drawing Page No.
35-402	35-402-BU	1	On (Off)	NC SPST	1/4*		0.125	0.175	Black	PI	Sd Lug	0.172	N	289-A
35-3459	35-3459-BU	2	Off (On)	NO SPST	1/4†		0.225	0.240	White	Pin	Sd Eyelet	0.250	N	289-B
35-400	35-400-BU	3	Off (On)	NO SPST	1/2	1/4	0.125	0.175	Black	PI	Sd Lug	0.172	N	289-C
35-401	35-401-BU	4	Off (On)	NO SPST	1		0.276	0.091	Black	RC	Sd Eyelet	0.281	N, KN	289-D
35-407	35-407-BU	5	Off (On)	NO SPST	1	1/2		0.100	White	SqB	QC .187"/Sd	****		289-E
35-410	35-410-BU	4	Off (On)	NO SPST	1		0.276	0.091	Red	RC	Sd Eyelet	0.281	N, KN	289-D
35-415	35-415-BU	5	Off (On)	NO SPST	1	1/2		0.100	Red	SqB	QC .187"/Sd	****		289-E
35-450	35-450-BU	6	On (On)	SPDT	1*		0.250	0.218	White	Pin	Sd Eyelet	0.250	2 N, LW, LR	289-F
35-451	35-451-BU	7	On (On)	DPDT	1*		0.250	0.218	White	Pin	Sd Eyelet	0.250	2 N, LW, LR	289-F
35-404	35-404-BU	8	On (On)	SPDT	3		0.335	0.315	Black	RC	Sd Eyelet	0.250	N, KN, W	289-G
35-405	35-405-BU	9	On (On)	DPDT	3		0.335	0.315	Black	RC	Sd Eyelet	0.250	N, KN, W	289-J
35-406	35-406-BU	10	On (Off)	SPST	3		0.315	0.315	Black	RC	Sd Eyelet	0.315	N, W	289-H
35-408	35-408-BU	10	On (On)	SPDT	3		0.315	0.315	Black	RC	Sd Eyelet	0.315	N, W	289-H
35-409	35-409-BU	10	Off (On)	NO SPST	3		0.315	0.315	Black	RC	Sd Eyelet	0.315	N, W	289-H
35-411	35-411-BU	11	Off (On)	NO SPST	3	1	0.295	0.157	Black	RB	Sd Eyelet	0.400	N, W	289-I
35-412	35-412-BU	12	Off (On)	NO SPST	3	1	0.295	0.157	Black	SqB	Sd Eyelet	0.400	N, W	289-I
35-413	35-413-BU	13	Off (On)	NO SPST	3	1	0.295	0.157	Black	RqB	Sd Eyelet	0.400	N, W	289-I
35-417	35-417-BU	13	Off (On)	NO SPST	3	1	0.295	0.157	Red	RqB	Sd Eyelet	0.400	N, W	289-I
35-425	35-425-BU	9	On (On)	DPDT	3		0.335	0.315	Blue	RC	Sd Eyelet	0.250	N, KN, W	289-J

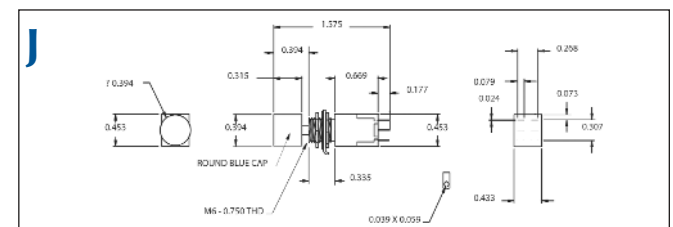
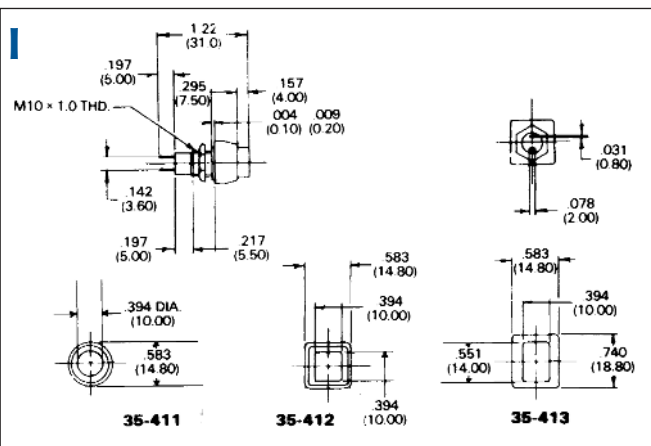
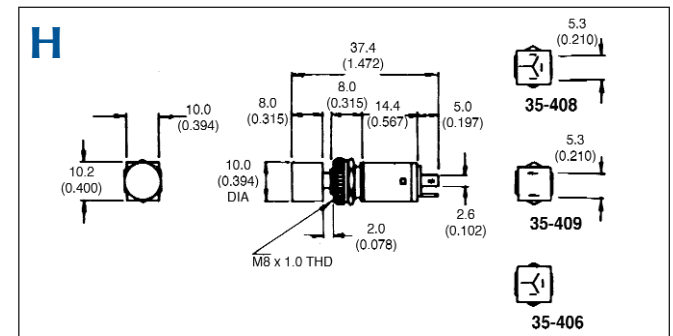
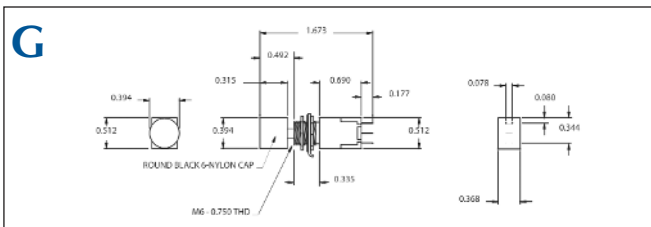
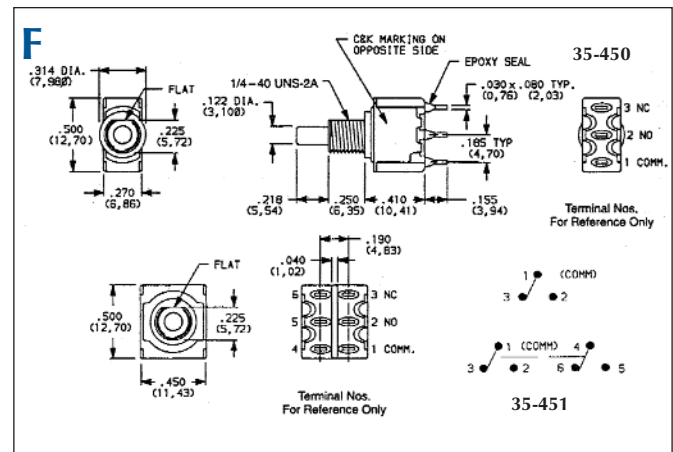
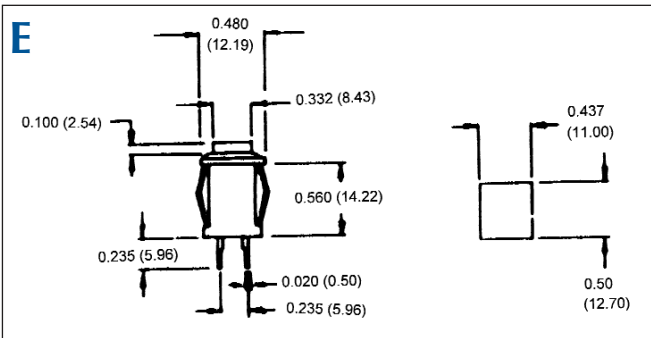
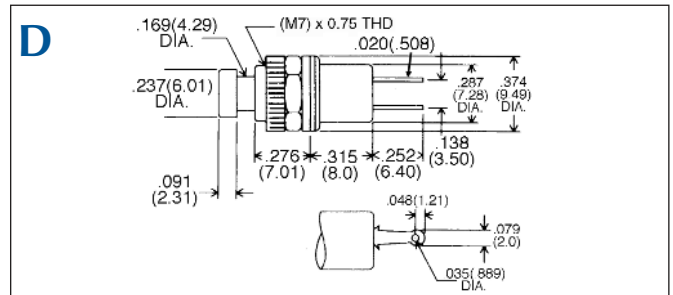
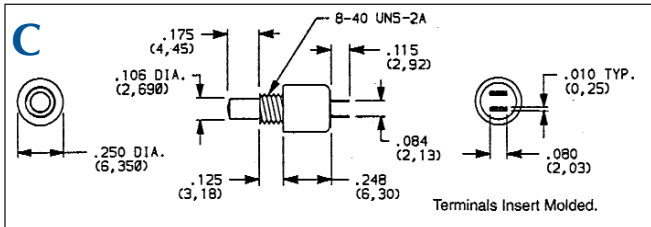
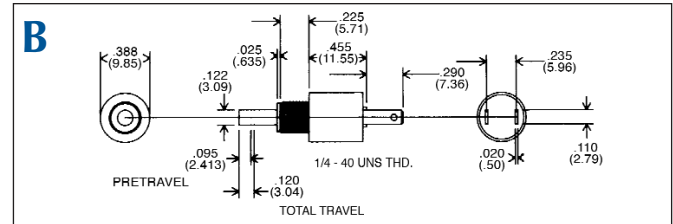
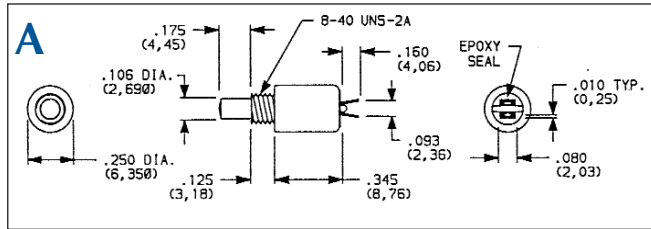
Notes: (On)/(Off)=Momentary On/Off
 *Rated@120VAC/28VDC
 ****0.500 x 0.437
 †=Rated @125VAC/DC

KN=Knurled Nut
 LR=Lock Ring
 LW=Lock Washer
 N=Nut(s)
 NC=Normally Closed
 NO=Normally Open
 N/R=Not Rated

QC=Quick Connect
 RC=Round Cap
 RqB=Rectangle Button

PI=Plunger
 Sd=Solder
 SqB=Square Button
 W=Washer

Note: All figures are for illustration purpose only, and the number/type of terminals may vary.



Switches

MINIATURE PUSHBUTTONS (Cont.)



Retail Part No.	Bulk Part No.	Fig. No.	Circuit Function	Poles/Throws	Amps 125 VAC	30 Watts	Bushing Length	Actuator Length	Actuator Color	Actuator Style	Terminal Type	Mounting Hole	Hardware	Spec. Drawing Page No.
35-416	35-416-BU	1	On (Off)	SPDT	N/R	250mA	0.391	0.110	Red	RB	Sd Eyelet	0.469	LN, LW	291-A
35-418	35-418-BU	2	On(Off)	SPDT	N/R	250mA	0.391		Black	RB	Sd Eyelet	0.469	LN, LW	291-A
35-3460	35-3460-BU	3	On Off	SPST	6††		1.100	0.450	Brass	CB	6" WL	0.375	N, KN	291-B
35-852	35-852-BU	4	On Off	SPST	6††		0.375	0.344	Black	CB	6" WL	0.375	N, KN	291-C

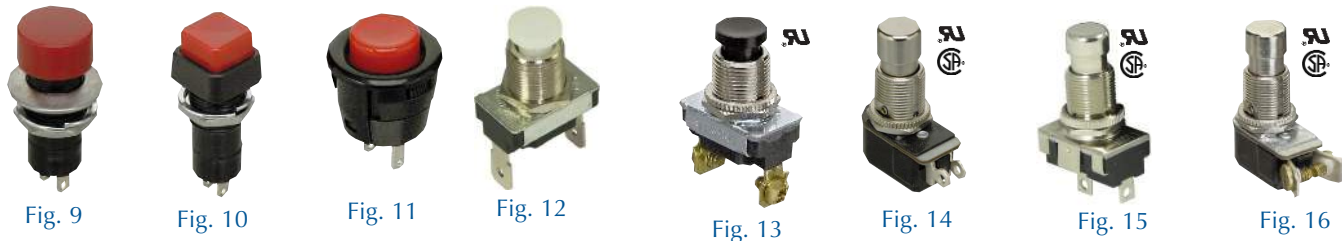
Retail Part No.	Bulk Part No.	Fig. No.	Circuit Function	Poles/Throws	Amps 125 VAC	Amps 250 VAC	Bushing Length	Actuator Length	Actuator Color	Actuator Style	Terminal Type	Mounting Hole	Hardware	Spec. Drawing Page No.
35-491	35-491-BU	5	On On	DPDT	0.50**	0.20		0.406	Black	RmB	PCB/Sd Eye		N, LN	291-D

Retail Part No.	Bulk Part No.	Fig. No.	Circuit Function	Poles/Throws	A 125/250 VAC	30 VAC	Bushing Length	Actuator Length	Actuator Color	Actuator Style	Terminal Type	Mounting Hole	Hardware	Spec. Drawing Page No.
35-475	35-475-BU	6	(On) Off	NO SPST	0.50	0.50	0.260	0.500	Black	RB	†††	0.500	N, LN	291-E
35-476	35-476-BU	7	Off (On)	NO SPST	0.50		0.260	0.500	Red	RB	†††	0.500	N, LN	291-E
35-3471	35-3471-BU	8	On (Off)	NC SPST	***		0.374	0.244	White	RB	Sc	0.500	N, LW	291-F

Notes: (On)/(Off)=Momentary On/Off
 †††=3@250V AC
 **Rated@100VAC
 ***Rated 2Amps @120VAC, 1A 277 VAC
 ††=6.3mm Tab w/Eyelet
 35-491 is momentary on if the pin is removed
 CB=Canopy Button
 KN=Knurled Nut
 LN=Lock Nut
 LW=Lock Washer
 N=Nut(s)
 NC=Normally Closed
 NO=Normally Open
 N/R=Not Rated
 PCB=Printed Circuit Board
 RB=Round Button
 RmB=Removable Button
 Sc=Screw
 Sd=Solder

STANDARD PUSHBUTTONS

Switches



Retail Part No.	Bulk Part No.	Fig. No.	Circuit Function	Poles/Throws	Amps 125 VAC	Amps 250 VAC	Bushing Length	Actuator Length	Actuator Color/Material	Frame/Bezel	Terminal Type	Mount Hole	Hardware	Spec. Drawing Page No.
35-420	35-420-BU	9	Off (On)	NO SPST		3	0.276	0.354	Red Plastic	Chrm. Ring	Sd Eyelet	0.500	N, W	291-G
35-421	35-421-BU	10	Off (On)	NO SPST		3	0.390	0.244	Red Plastic	Black Square	Sd Eyelet	0.500	N, W	291-H
35-422	35-422-BU	9	On Off	SPST		3	0.276	0.354	White Plastic	Chrm. Ring	Sd Eyelet	0.500	N, W	291-G
35-423	35-423-BU	11	Off (On)	NO SPST	3	N/R	Snap-in	0.125	Red Plastic	Black	Sd Eyelet	0.687		291-I
35-3456	35-3456-BU	12	(On) Off	SPST	6	3	0.500	0.212	White		Q.C.	0.500	N, KN	291-J
35-3457	35-3457-BU	13	Off (On)	NO SPST	6**	3**	0.500	0.212	Black Plastic		Sc	0.500	N, KN, Sc	291-J
35-3458	35-3458-BU	13	(Off) On	NC SPST	***	***	0.490	0.200	Red Plastic		Sc	0.500	N, KN, Sc	291-K
35-430	35-430-BU	14	Off (On)	NO SPST	6	3	0.562	0.437	Chrm. Metal		Sd Eyelet	0.500	N, KN	291-L
35-432	35-432-BU	14	On (Off)	NC SPST	6	3	0.562	0.437	Chrm. Metal		Sd Eyelet	0.500	N, KN	291-L
35-448	35-448-BU	15	On Off	SPST	6	3	0.561	0.415	Chrm. Metal		Sd Eyelet	0.500	N, KN	291-L
35-449	35-449-BU	16	On Off	SPST	6	3	0.561	0.437	Chrm. Metal		Sc	0.500	N, KN	291-M

Notes: (On)/(Off)/(SPDT)=Momentary Action
 †=Rated 1/2 HP @250VDC
 *Rated 8Amps @125V DC, 4Amps @250V DC, 1/3 HP @125VAC;
 **Rated 6Amps @120VAC/3Amps @240VAC
 ***Rated 3Amps @120VAC/1.5Amps @277VAC
 ****Rated 25/15Amps @6/12VDC
 NC=Normally Closed
 NO=Normally Open
 N/R=Not Rated
 QC=Quick Connect
 Sc=Screw
 Sd=Solder
 W=Washer
 WL=Wire Lead

Note: All figures are for illustration purpose only, and the number/type of terminals may vary.

STANDARD PUSHBUTTONS (Cont.)



Retail Part No.	Bulk Part No.	Fig. No.	Circuit Function	Poles/Throws	Amps 125 VAC	Amps 250 VAC	Bushing Length	Actuator Length	Actuator Color/Material	Frame/Bezel	Terminal Type	Mount Hole	Hardware	Spec. Drawing Page No.
35-3454	35-3454-BU	1	On Off	SPST††	10*	N/R	0.561	0.410	Chrm. Metal		6" WL	0.500	N, KN	293-A
35-473	35-473-BU	2	NO or NC	SPDT	16†	16†	0.380	0.125	Red Plastic	Black Shroud	QC .250"	0.500	N	293-B
35-458	35-458-BU	3	On Off	SPST	15	10	0.562	0.238	Chrm. Metal		Sc	0.500	N, KN, Sc	293-C
35-3425	35-3425-BU	4	On Off	SPST	15	10	0.561	0.415	Chrm. Metal		Sc	0.500	N, KN, Sc	293-D
35-3427	35-3427-BU	4	Off (On)	NO SPST	15	10	0.561	0.415	Chrm. Metal		Sc	0.500	N, KN, Sc	293-D
35-3429	35-3429-BU	4	On (Off)	NC SPST	15	10	0.561	0.415	Chrm. Metal		Sc	0.500	N, KN, Sc	293-D
35-3490	35-3490-BU	4	On On	SPDT	15	10	0.561	0.415	Chrm. Metal		Sc	0.500	2 N, Sc	293-D
35-455	35-455-BU	5	Off On	SPST	16^	16	Snap-in	0.157	Red Plastic	Black	QC .250"/Sd	0.992		293-E
35-457	35-457-BU	5	Off (On)	NO SPST	16^	16	Snap-in	0.157	Red Plastic	Black	QC .250"/Sd	0.992		293-E
35-459	35-459-BU	5	Off (On)	NO SPST	16^	16	Snap-in	0.157	Black Plastic	Black	QC .250"/Sd	0.992		293-E
35-490	35-490-BU	6	On Off	DPDT††	8	6	0.730	0.312	OrangeΔ	Black	PCB/Sd Lug	0.530	N, W	293-F
35-3484	35-3484-BU	7	Off (On)	NO SPST	****	****	1.200	0.375	Black Chrome	Black	Sc	0.625	N, W	293-G

Notes: (On)/(Off)/(SPDT)=Momentary Action
 *Rated 8Amps @ 125V DC, 4Amps @ 250V DC, 1/3 HP @ 125VAC;
 **Rated 6Amps @ 120VAC/3Amps @ 240VAC
 ***Rated 3Amps @ 120VAC/1.5Amps @ 277VAC
 ****Rated (25, 15) Amps @ (6, 12) VDC
 ^=1/2 HP @ 125VAC, 1 HP @ 250 VAC
 †=Rated 1/2 HP @ 125 VAC, 0.2A @ 250 VDC

††=Alternate Action
 Chrm.=Chrome
 HP=Horse Power
 35-490 comes with Nut and Washer Hardware
 35-490 pin can be removed to make momentary
 Δ=Mechanical Indicator, non-illuminated

NC=Normally Closed
 NO=Normally Open
 N/R=Not Rated
 QC=Quick Connect
 Sc=Screw

Sd=Solder
 W=Washer
 WL=Wire Lead
 KN=Knurled Nut
 N=Nut(s)

LIGHTED PUSHBUTTONS



Switches

Retail Part No.	Bulk Part No.	Fig. No.	*Circuit Function	Poles/Throws	Amps 125 VAC	Amps 250 VAC	Amps 14 VDC	HP 125 VAC	Bushing Length	Actuator Length	Actuator Color	Actuator Style	Terminal Type	Mounting Hole	Spec Drawing Page No.
35-480	35-480-BU	8^	On Off	SPST	10	10	10	1/4	Snap-in	0.360	Red Lens	Square	QC .25"/Sd	1.10 x 0.88	293-J
35-481††		8									Red Lens	Square			293-J
35-482	35-482-BU	8^	On Off	SPST	10	10	10	1/4	Snap-in	0.360	Amber Lens	Square	QC .25"/Sd	1.10 x 0.88	293-J
35-484	35-484-BU	8^	On Off	SPST	10	10	10	1/4	Snap-in	0.360	Green Lens	Square	QC .25"/Sd	1.10 x 0.88	293-J
35-3412	35-3412-BU	9	(1NC) (1NO)	SPDT		4†			0.295	0.196		Square	Sd Eyelet	0.638	293-H
35-3414	35-3414-BU	9	1NC 1NO	SPDT		4†			0.295	0.196		Square	Sd Eyelet	0.638	293-H
35-3430	35-3430-BU	9	2NC 2NO	DPDT		4†			0.295	0.196		Square	Sd Eyelet	0.638	293-H
35-3431	35-3431-BU	10	2NC 2NO	DPDT		4†			0.295	0.196		Rq	Sd Eyelet	0.638	293-I
35-3432	35-3432-BU	10	(1NC) (1NO)	SPDT		4†			0.295	0.196		Rq	Sd Eyelet	0.638	293-I

Lens and Diffuser Kits

Choose a Lens and Diffuser Kit below to go with Fig. 9 and Fig. 10 above part numbers (Sold Separately)

Retail Part No.	Bulk Part No.	Fig. No.	Style	Color	Spec Drawing Page No.	Retail Part No.	Bulk Part No.	Fig. No.	Style	Color	Spec Drawing Page No.
35-3435	35-3435-BU	11	Square	Green	293-K	35-3440	35-3440-BU	12	Rectangle	Green	293-L
35-3437	35-3437-BU	11	Square	Red	293-K	35-3442	35-3442-BU	12	Rectangle	Red	293-L
35-3438	35-3438-BU	11	Square	Clear	293-K	35-3443	35-3443-BU	12	Rectangle	Clear	293-L
35-3439	35-3439-BU	11	Square	Yellow	293-K	35-3444	35-3444-BU	12	Rectangle	Yellow	293-L
	35-3400-BU	12V Replacement Bulb					35-3400-BU	12V Replacement Bulb			

Notes: ()=Momentary Function
 *NC=Normally Closed and NO=Normally Open
 ^=12V Incandescent
 N/R=Not Rated
 PCB=Printed Circuit Board
 †=0.2A @ 220VDC, 5mA @ 12VAC/DC
 ††=Lens Only
 QC=Quick Connect
 Rg=Rectangle
 Sd=Solder

TACTILE PUSHBUTTONS



Fig. 1



Fig. 2



Fig. 3



Fig. 4



Fig. 5

Retail Part No.	Bulk Part No.	Figure No.	Circuit Function	Poles/Throws	Amps 12 VDC	50VAC/DC	Operating Force	Actuator Height	Actuator Color	Mounting Style	Body Size	Spec Drawing Page No.	Protection
35-1451		1	(On) Off	SPST	50mA		160g	0.169	Gray	PCB, Low Profile	0.472"	295-A	IP57 Protected Against Dust Temporary Immersion
35-1452		2	(On) Off	SPST	50mA		130g	0.169	Black	PCB, Low Profile	0.236"	295-A	
35-1453		3	(On) Off	SPST	50mA		200g	0.151	Gray	PCB, Low Profile	0.280"	295-A	
35-1411		4	(On) Off	SPST		1.0VA		0.093		PCB	0.283" (7mm)	295-B	
35-1414		4	(On) Off	SPST		1.0VA		0.156		PCB	0.283" (7mm)	295-B	
35-1412		5	(On) Off	SPST		1.0VA		0.093		Surface	0.283" (7mm)	295-B	
35-1415		5	(On) Off	SPST		1.0VA		0.156		Surface	0.283" (7mm)	295-B	

Notes:(On)=Momentary On PCB=Printed Circuit Board 35-1453 is a Right Angle Style Pushbutton

SUB-MINIATURE SNAP ACTION



Fig. 6



Fig. 7



Fig. 8



Fig. 9

Retail Part No.	Bulk Part No.	Fig. No.	Poles/Throws	Amps 250 VAC	Operating Point (In)	Over Travel Min. (In)	Differential Travel Max. (In)	Operating Force Max. Oz. (grams)	Actuator	Terminal Type	Spec Drawing Page No.
35-822	35-822-BU	6	SPDT	5	0.488			1.0 (28)	Lever	Solder	295-C
35-834	35-834-BU	7	SPDT	5	0.449	0.016	0.008	5.2 (146)	Plunger	Solder	295-D
35-836	35-836-BU	8	SPDT	5	0.476			1.4 (39)	Lever	Solder	295-D
35-838	35-838-BU	9	SPDT	5	0.701			1.6 (45)	Roller	Solder	295-D

Notes:All of the above part numbers have momentary action.

MINIATURE SNAP ACTION



Fig. 10



Fig. 11



Fig. 12

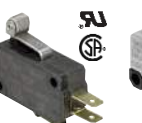


Fig. 13



Fig. 14

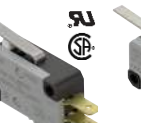


Fig. 15

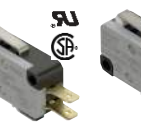


Fig. 16

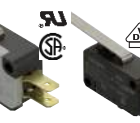


Fig. 17



Fig. 18



Fig. 19

Retail Part No.	Bulk Part No.	Fig. No.	Poles/Throws	Amps125/250 VAC	Amps 125 VDC	Amps 250 VDC	HP125/250 VAC	PT Max. (In)	OT Min. (In)	DT Max. (In)	OF Max. Oz. (grams)	Actuator	Actuator Length (In)	Spec Drawing Page No.
35-823	35-823-BU	10	SPDT	10	1/2	1/4	1/3	0.056	0.035	0.013	2.7 (75)	PP		295-E
35-824	35-824-BU	11	SPDT	10	1/2	1/4	1/3	0.500	0.200	0.125	0.60 (17)	Lever	2.22	295-F
35-827	35-827-BU	12	SPDT	10	1/2	1/4	1/3	0.160	0.065	0.030	1.59-2.65 (45-75)	LvR	1.343	295-G
35-846	35-846-BU	13	SPDT	10	1/2	1/4	1/3	0.070	0.035	0.013	2.65-3.18 (75-90)	LvR	0.810	295-H
35-870	35-870-BU	14	NC SPST	10	1/2	1/4	1/3	0.056	0.035	0.013	2.7 (75)	PP		295-E
35-872	35-872-BU	14	NO SPST	10	1/2	1/4	1/3	0.056	0.035	0.013	2.7 (75)	PP		295-E
35-876	35-876-BU	13	SPDT	10	1/2	1/4	1/3	0.700	0.035	0.013	5.3-6.36 (150-180)	LvR	0.810	295-H
35-878	35-878-BU	15	SPDT	10	1/2	1/4	1/2	0.140	0.062	0.050	3.18-5.3 (90-150)	SR	1.29	295-I
35-880	35-880-BU	16	SPDT	10	1/2	1/4	1/3	0.160	0.075	0.032	1.59-2.65 (45-75)	Lever	1.40	295-J
35-882	35-882-BU	12	SPDT	10	1/2	1/4	1/3	0.160	0.065	0.030	5.29 (150)	LvR	1.343	295-G
35-3934	35-3934-BU	17	SPDT	10	1/2	1/4	1/3	0.080	0.035	0.013	2.65-3.18 (75-90)	Lever	0.840	295-K
35-3938	35-3938-BU	11	SPDT	11*	1/2	1/4	1/3	0.250	0.125	0.045	2.5-8.0 (70-225)	Lever	2.34	295-F
35-3940	35-3940-BU	13	SPDT	11*	1/2	1/4	1/3	0.060	0.030	0.015	7.94 (225)	LvR	0.810	295-H
35-3942	35-3942-BU	16	SPDT	10	1/2	1/4	1/3	0.160	0.075	0.032	1.06-1.76 (30-50)	Lever	1.40	295-J
35-840	35-840-BU	10	SPDT	15	1/2	1/4	1/2	0.056	0.035	0.013	5.29 (150)	PP		295-E
35-842	35-842-BU	15	SPDT	15	1/2	1/4	1/2	0.140	0.062	0.050	3.18-5.3 (90-150)	SR	1.29	295-I
35-844	35-844-BU	16	SPDT	15	1/2	1/4	1/2	0.160	0.075	0.032	2.28-5.3 (80-150)	Lever	1.40	295-J
35-848	35-848-BU	12	SPDT	15	1/2	1/4	1/2	0.160	0.065	0.030	2.8-5.3 (80-150)	LvR	1.343	295-G
35-874	35-874-BU	13	SPDT	15	1/2	1/4	1/2	0.070	0.035	0.013	5.3-6.36 (150-180)	LvR	0.810	295-H
35-3945	35-3945-BU	18	SPDT	15*	1/2	1/4	1/2	0.250	0.125	0.045	4.2-14.1 (120-400)	Lever	2.340	295-L
35-3932	35-3932-BU	19	SPDT	21*			1†	0.047	0.050	0.010	7.94 (225)	PP		295-M

Notes: *Rated @ 277VAC
†=Rated @ 125VAC, 2 HP @ 250VAC
All of the above have momentary action
All of the above snap switches have a terminal type of QC .187".

DT=Differential Travel
HP=Horse Power
LvR=Lever Roller

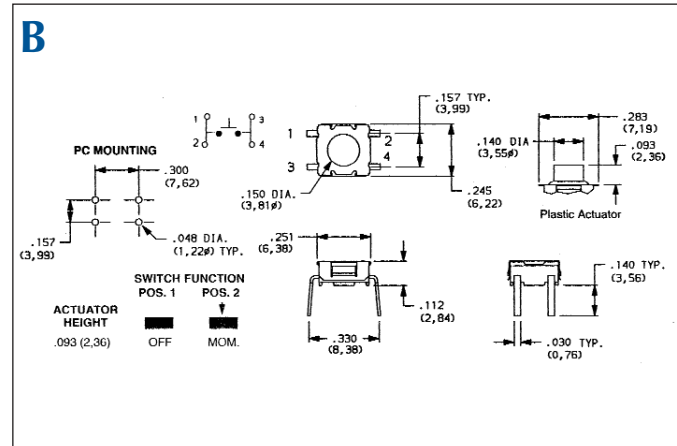
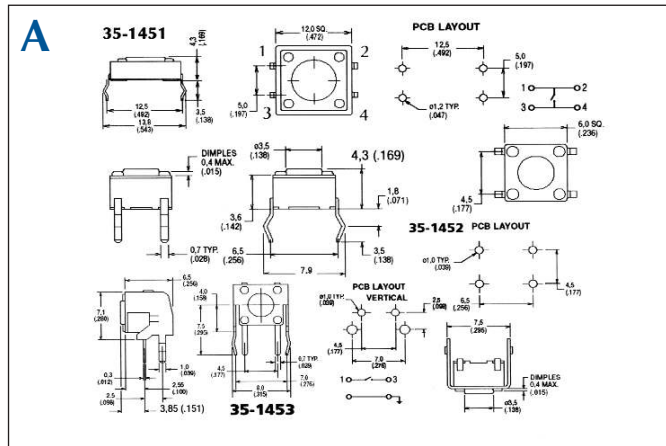
NC=Normally Closed
NO=Normally Open
OF=Operating Force

OT=Over Travel
PP=Pin Plunger
PT=Pre Travel

SR=Simulated Roller
QC=Quick Connect

Note: All figures are for illustration purpose only, and the number/type of terminals may vary.

TACTILE PUSHBUTTONS (Cont.)



SUB-MINIATURE SNAP ACTION (Cont.)

