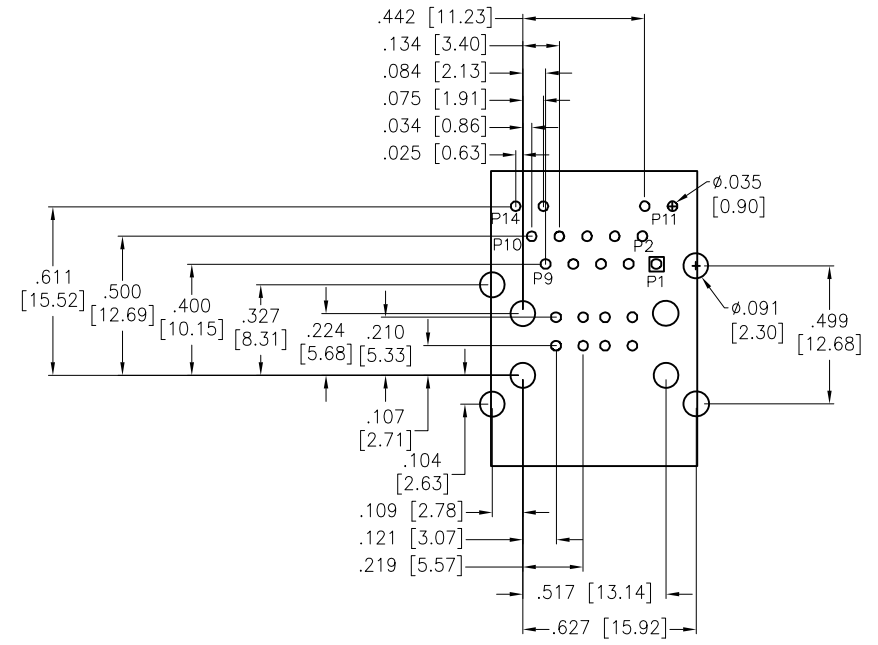
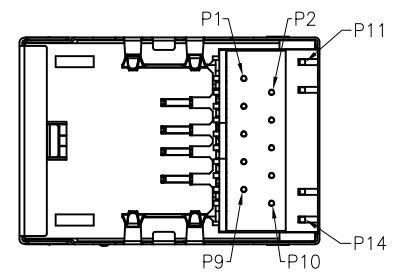
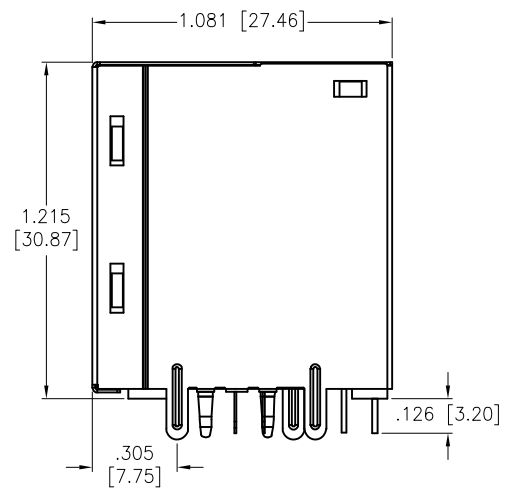
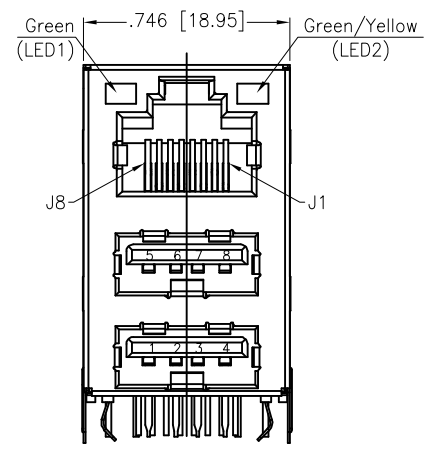


APPROVED: _____
 DATE: _____ TITLE: _____

Rev	AWO #	Description	Date	Appr
-		RELEASED	3/11/15	
A		UPDATED DRAWING	6/20/17	HR/YC
B		UPDATED SPEC.	4/27/18	AY/MY
C		UPDATED DIM.	5/27/20	AY/RC



RECOMMENDED PCB LAYOUT

SPECIFICATIONS:

Material:
 Insulator: PBT, rated UL 94V-0
 Insulator color: Black
 Contacts: Phosphor Bronze
 Shield: SUS304
Plating:
 Round contact
 Gold over Nickel underplate overall
 Flat contact
 Gold over Nickel underplate on contact area,
 Tin over Nickel underplate on solder tails
Electrical:
 Voltage rating: 150 VAC
 Contact Resistance: 20 mohms max
 Insulation resistance: 500 Mohms min
 Dielectric withstanding voltage: 2250 VDC
Temperature Rating:
 Operating temperature: 0°C to +70°C
Environmental:
 Lead free, RoHS compliant.



UNLESS OTHERWISE SPECIFIED
 ALL DIMENSIONS ARE INCHES [MM]
 TOLERANCES: EXCEPT AS NOTED

INCHES		HOLES	
.X	±.10	Ø.X	±.10
.XX	±.020	Ø.XX	±.015
.XXX	±.015	Ø.XXX	±.010

APPROVALS		DATE
DRAWN	HR	3/11/15
CHECKED	wy	3/11/15
APPROVED		

ADAM TECH INTERCONNECTS 909 Rahway Avenue,
 Union, NJ 07083
 Phone: 908-687-5000
 Fax: 908-687-5710

TITLE: **MODULAR TELEPHONE JACK, 1 PORT, 8P8C
 W/ LED1 GRN, LED2 GRN/YEL, DUAL USB**

SIZE	PART NO.	REV.
X	MTJ-DUSB-88JX1-FS-RL35-M86C	C

REF: S00005C SCALE: NTS SHEET 1 OF 2

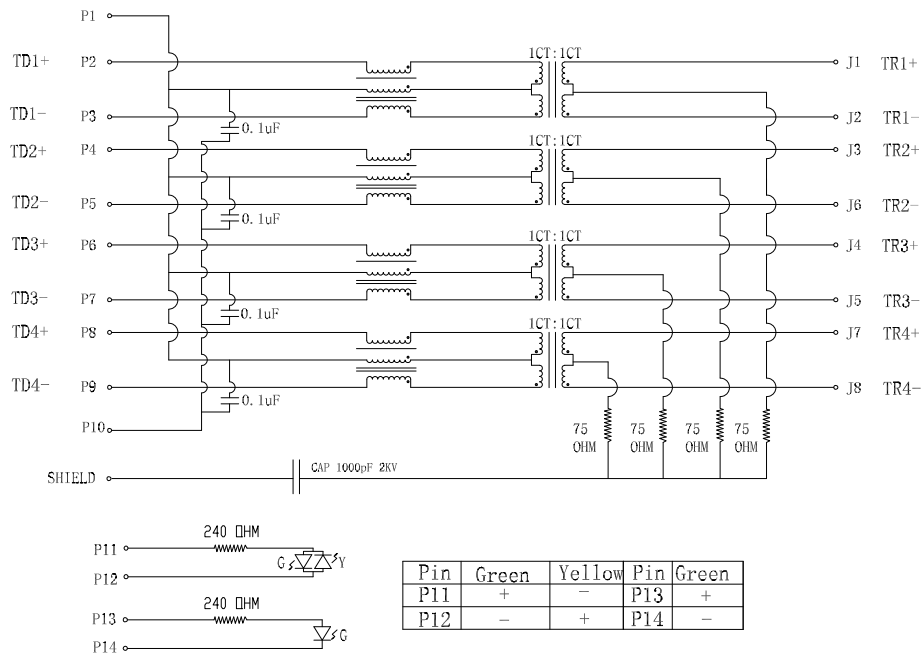
APPROVED: _____

DATE: _____ TITLE: _____

Rev	AWO #	Description	Date	Appr
-----	-------	-------------	------	------

SEE SHT 1 OF 2 FOR REVISION

Circuit Schematic:



Electronical Specifications:

- Turn Ratio @100KHz: (P2~P3):(J1~J2) = 1:1±5%
(P4~P5):(J3~J6) = 1:1±5%
(P6~P7):(J4~J5) = 1:1±5%
(P8~P9):(J7~J8) = 1:1±5%
- Primary Inductance: 350uH MIN @100KHZ,0.1V 8mA DC BIAS
- DC Resistance: 1.2 OHMS MAX
- Insertion Loss: 1-100MHz -1.0dB MIN
100-125MHz -1.2dB MIN
- Return Loss: 1-40MHz -16dB MAX
40-60MHz -12dB MAX
60-80MHz -10dB MAX
80-100MHz -8dB MAX
- CROSS TALK: 1-100MHz -30dB MAX
- COMMON TO COMMON MODE ATTENUATION: 1-100MHz -30dB MIN
- Isolation: PHY Side to Line Side: 2250VDC

UNLESS OTHERWISE SPECIFIED
ALL DIMENSIONS ARE INCHES [MM]
TOLERANCES: EXCEPT AS NOTED
INCHES HOLES

.X	± .10	∅X	± .10
.XX	± .020	∅.XX	± .015
.XXX	± .015	∅.XXX	± .010

ADAM TECH
INTERCONNECTS

909 Rahway Avenue,
Union, NJ 07083
Phone: 908-687-5000
Fax: 908-687-5710

TITLE: MODULAR TELEPHONE JACK, 1 PORT, 8P8C
W/ LED1 GRN, LED2 GRN/YEL, DUAL USB

APPROVALS		DATE
DRAWN	HR	3/11/15
CHECKED	wy	3/11/15
APPROVED		

SIZE	PART NO.	REV.
X	MTJ-DUSB-88JX1-FS-RL35-M86C	C
REF:	S00005C	SCALE: NTS
		SHEET 2 OF 2