

# TC32306FTG

## Single-Chip RF Transceiver for Low-Power Systems

### 1. General Description

The TC32306FTG is a single-chip RF transceiver, which provides many of the functions required for UHF-band transceiver applications. It has the most features transmitting and receiving the signal.

Furthermore, by digital processing, it can reduce significantly the number of external components and allow fine adjustments.

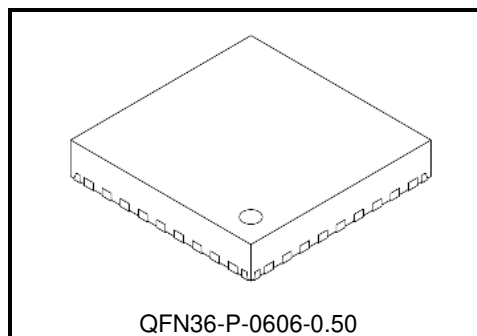
Various type of applications are supported by this chip as configuring various settings such as supply voltage, frequency, modulation and detection.

### 2. Applications

Remote keyless entry (remote door lock / unlock of equipment), automotive equipment applications such as tire pressure monitoring system, and remote controller, etc

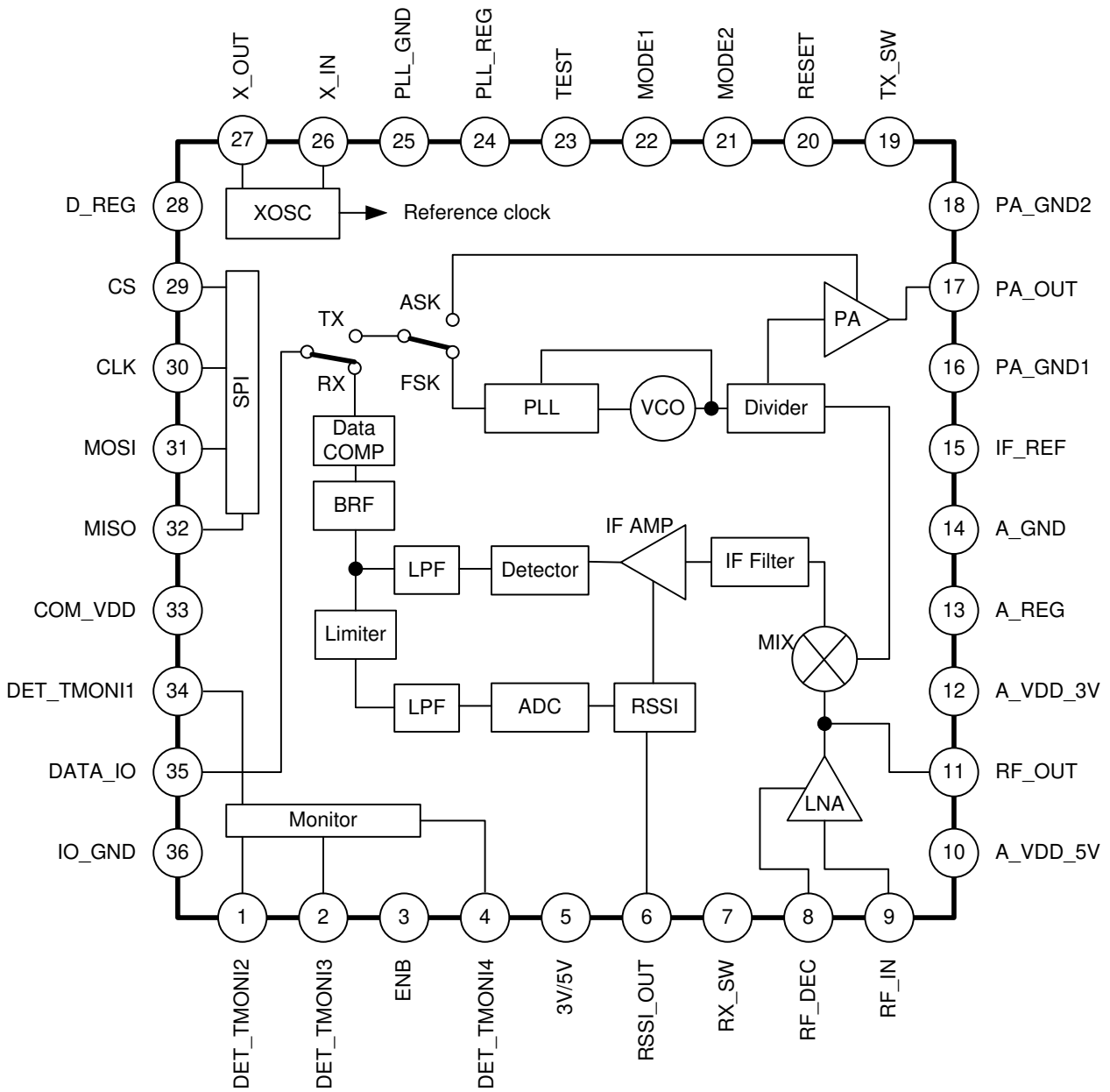
### 3. Features

- Integrates LNA, Mixer, IF Filter, IF AMP, RSSI, Signal Detector, Bit Rate Filter, Data Comparator, PLL, VCO and PA into a single IC.
- Operating voltage range: 2.0 to 3.3 V (For 3V Use), 2.4V to 5.5V (For 5V Use)
- Current consumption: TX 12 mA at +10dBm output level / RX 9.7 mA / Battery Saving 0 $\mu$ A (typ.)
- Use for four RF Band: 315, 434, 868 / 915 MHz
- Supported modulation: ASK / FSK
- Single conversion system
- Two IF Filter bandwidth: wide 320kHz(typ.) at IF = 230kHz / middle 270kHz(typ.) at IF = 280kHz
- Signal Detections: RSSI detection, Noise detection (Only for FSK), Preamble detection
- Receiver sensitivity: under -116dBm (At IF BW = 320kHz, data rate = 600Hz, frequency deviation = +/-40kHz)
- Transmitter power: +10dBm (typ. at setting maximum output)
- Serial control (4 wire SPI) / EEPROM control
- Data Comparator Quick Charge / AutoOff Control / Antenna Switch Control



QFN36-P-0606-0.50  
Weight: 0.08 g (typ.)

4. Block Diagram



Some of the functional blocks, circuits, or constants in the block diagram may be omitted or simplified for explanatory purposes.

Fig 4-1 Block Diagram

5. Pin Description

5.1 Equivalent Circuit and Function

Table 5-1 Pin Description

- All the values (resistance, capacity, etc.) shown in the internal equivalent circuit diagram are typical values.
- The equivalent circuit diagrams may be simplified or some parts of them may be omitted for explanatory purpose.

Pin No.	Pin Name	I/O	Description	Internal Equivalent Circuit
1	DET_TMONI2	Digital Output	<p><b>Monitor 2</b> Monitoring internal signals (digital), use for system control</p> <p>At no use, open this pin.</p>	
2	DET_TMONI3	Analog Output	<p><b>Monitor 3</b> Monitoring internal signals (Converted to analog / in User Test)</p> <p>At no use, open this pin.</p> <p>Notice: In User Test, Supply at least 3 V to COM_VDD pin to monitor the signal. Lower voltage supply causes an incorrect monitoring.</p>	
3	ENB	Digital Input	<p><b>Enable Pin</b> Select to enable (In SPI Mode)</p> <p><b>Address Setting (In EEPROM Mode)</b> Set a start address to read memory data.</p> <p>Notice: Do not supply higher voltage than the level of COM_VDD. (For example, in the case of too low / no power supply.) That causes overcurrent at this pin, as the ESD protection elements insertion between the pin and the voltage source.</p>	
4	DET_TMONI4	Analog Output	<p><b>Monitor 4</b> Monitoring internal signals (Converted to analog / in User Test)</p> <p>At no use, open this pin.</p> <p>Notice: In User Test, Supply at least 3 V to COM_VDD pin to monitor the signal. Lower voltage supply causes an incorrect monitoring.</p>	
5	3V/5V	Digital Input	<p><b>Supply Voltage Selector</b> Select supply voltage. Connect power supply for 5V use. / Ground for 3V use.</p> <p>Notice: Do not supply higher voltage than the level of COM_VDD. (For example, in the case of too low / no power supply.) That causes overcurrent at this pin, as the ESD protection elements insertion between the pin and the voltage source.</p>	

Pin No.	Pin Name	I/O	Description	Internal Equivalent Circuit
6	RSSI_OUT	Analog Output	<p><b>RSSI Output</b> Output RSSI (= Received Signal Strength Indication) voltage. Connect ground via a capacitor. This IC has another RSSI signal for digital processing.</p> <p>At no use, connect ground via a capacitor.</p>	
7	RX_SW	Digital Output	<p><b>Antenna Switch Control for RX (In SPI Mode)</b> At no use, open this pin.</p>	
		Digital Input	<p><b>Address Setting (In EEPROM Mode)</b> Set a start address to read memory data.</p> <p>Notice: Do not supply higher voltage than the level of COM_VDD. (For example, in the case of too low / no power supply.) That causes overcurrent at this pin, as the ESD protection elements insertion between the pin and the voltage source.</p>	
8	RF_DEC	-	<p><b>RF Decoupling Pin</b> Connect a decoupling capacitor.</p> <p>At no use, open this pin.</p>	
9	RF_IN	Analog Input	<p><b>RF Input Pin</b> Do not connect DC voltage except ground to RF_IN pin.</p> <p>At no use, open this pin.</p>	

Pin No.	Pin Name	I/O	Description	Internal Equivalent Circuit
10	A_VDD_5V	-	<p><b>Analog 5V Supply</b>                      Supply to mainly analog block.                      - For 5V use, supply 5V (typ.).                      - For 3V use, connect A_VDD_3V pin and supply 3V (typ.).</p>	-
11	RF_OUT	Analog Output	<p><b>RF Output pin</b>                      RF signal output from LNA block,                      Open drain output. Connect A_VDD_3V pin via a matching circuit.                       At no use, open this pin.</p>	
12	A_VDD_3V	-	<p><b>Analog 3V Supply</b>                      - For 3V use, supply 3V (typ.).                      - For 5V use, voltage regulator output. Connect a bypass capacitor.                       Do not apply current or voltage on this pin from outside. And do not supply to external circuits except PA_OUT and RF_OUT pin.</p>	-
13	A_REG	Analog Output	<p><b>Regulator Output for Analog Block</b>                      Supply to mainly analog block. Connect a bypass capacitor.                       Do not apply current or voltage on this pin from outside. And do not supply to external circuits.</p>	
14	A_GND	-	<p><b>Ground (Analog)</b></p>	-
15	IF_REF	-	<p><b>IF Reference</b>                      Connect ground via a capacitor.                       At no use, open this pin.</p>	
16	PA_GND1	-	<p><b>Power Amplifier Ground 1</b>                       At no use of PA, connect ground.</p>	-

Pin No.	Pin Name	I/O	Description	Internal Equivalent Circuit
17	PA_OUT	Analog Output	<p><b>Power Amplifier Output Stage</b> Open drain output. Connect A_VDD_3V pin via a matching circuit.</p> <p>At no use, open this pin.</p>	
18	PA_GND2	-	<p><b>Power Amplifier Ground 2</b></p> <p>At no use of PA, connect ground.</p>	-
19	TX_SW	Digital Output	<p><b>Antenna Switch Control for TX (In SPI Mode)</b></p> <p>At no use, open this pin.</p>	
		Digital Input	<p><b>Address Setting (In EEPROM Mode)</b> Set a start address to read memory data.</p> <p>Notice: Do not supply higher voltage than the level of COM_VDD. (For example, in the case of too low / no power supply.) That causes overcurrent at this pin, as the ESD protection elements insertion between the pin and the voltage source.</p>	
20	RESET	Digital Input	<p><b>Reset</b> Initialize TC32306FTG.</p>	
21	MODE2	Digital Input	<p><b>Mode Control</b> Select SPI Mode, SPI User Test Mode, EEPROM Mode, EEPROM User Test Mode.</p>	
22	MODE1	Digital Input	<p><b>Mode Control</b> Select SPI Mode, SPI User Test Mode, EEPROM Mode, EEPROM User Test Mode.</p>	
23	TEST	Digital Input	<p><b>TEST</b> Only use for Toshiba test. Connect ground.</p>	

Pin No.	Pin Name	I/O	Description	Internal Equivalent Circuit
24	PLL_REG	Analog Output	<p><b>Regulator Output for PLL</b> Supply to mainly PLL block. Connect a bypass capacitor.</p> <p>Do not supply voltage, and do not supply to an external circuit.</p>	
25	PLL_GND	-	<b>Ground(Digital)</b>	-
26	X_IN	Analog Input	<p><b>Reference Clock Input</b> Connect crystal oscillator or external signal generator.</p> <p>Do not apply a DC bias voltage.</p>	
27	X_OUT	Analog Output	<p><b>Reference Clock Output</b> Open this pin except a crystal oscillator use.</p> <p>Do not apply current or voltage on this pin from outside. And do not supply the clock signal to external circuits.</p>	
28	D_REG	Analog Output	<p><b>Regulator Output for Digital Block</b> Supply to mainly digital block. Connect a bypass capacitor.</p> <p>Do not apply current or voltage on this pin from outside. And do not supply to external circuits.</p>	

Pin No.	Pin Name	I/O	Description	Internal Equivalent Circuit
29	CS	Digital Input	<p><b>Chip Select Input</b> In SPI Mode / SPI User Test Mode / EEPROM User Test Mode.</p> <p>Notice: Do not supply higher voltage than the level of COM_VDD. (For example, in the case of too low / no power supply.) That causes overcurrent at this pin, as the ESD protection elements insertion between the pin and the voltage source.</p>	
		Digital Output	<p><b>Chip Select Output</b> In EEPROM Mode.</p>	
30	CLK	Digital Input	<p><b>SPI Clock Input</b> In SPI Mode / SPI User Test Mode / EEPROM User Test Mode.</p> <p>Notice: Do not supply higher voltage than the level of COM_VDD. (For example, in the case of too low / no power supply.) That causes overcurrent at this pin, as the ESD protection elements insertion between the pin and the voltage source.</p>	
		Digital Output	<p><b>SPI Clock Output</b> In EEPROM Mode.</p>	
31	MOSI	Digital Input	<p><b>Serial Data Input</b> In SPI Mode / SPI User Test Mode / EEPROM User Test Mode.</p> <p>Notice: Do not supply higher voltage than the level of COM_VDD. (For example, in the case of too low / no power supply.) That causes overcurrent at this pin, as the ESD protection elements insertion between the pin and the voltage source.</p>	
		Digital Output	<p><b>Serial Data Output</b> In EEPROM Mode.</p>	



Pin No.	Pin Name	I/O	Description	Internal Equivalent Circuit
32	MISO	Digital Output	<b>Serial Data Output</b> In SPI Mode / SPI User Test Mode / EEPROM User Test Mode.	
		Digital Input	<b>Serial Data Input</b> In EEPROM Mode.  Notice: Do not supply higher voltage than the level of COM_VDD. (For example, in the case of too low / no power supply.) That causes overcurrent at this pin, as the ESD protection elements insertion between the pin and the voltage source.	
33	COM_VDD	-	<b>Common Voltage Supply</b> Use for 3V and 5V. Supply to mainly control block.	-
34	DET_TMONI1	Digital Output	<b>Monitor 1</b> Monitoring internal signals (Digital), use for system control.  At no use, open this pin.	
35	DATA_IO	Digital Output	<b>Data Output</b> Demodulated signal output at RF-Receiving. Behavior of this pin is different for each state of TC32306FTG reset. See Table 5-2.  Notice: Output resistance of this pin is 10kΩ when the output drive setting is "Low". Select proper resistance value of pull-up or pull down resistor to get enough output level of the pin, when the output drive setting is "Low". Or select that the output drive setting is "High", depending on the resistance value of the resistor. About output drive settings, see section 6.10.5.	
		Digital Input	<b>Data Input</b> Signal input for modulation at RF-Transmitting. Behavior of this pin is different for each state of TC32306FTG reset. See Table 5-2.  Notice: Do not supply higher voltage than the level of COM_VDD. (For example, in the case of too low / no power supply.) That causes overcurrent at this pin, as the ESD protection elements insertion between the pin and the voltage source.	
36	IO_GND	-	<b>Ground(I/O Block)</b>	-

**5.2 Pin Behaviors at Reset and Register Initialized**

Several pin behaviors of TC32306FTG depend on setting of Reset, register's initial value, or SPI Mode / EEPROM Mode (including User Test). See Table 5-2.

**Table 5-2 Pin Behaviors at Reset and Register Initialized**

Pin	SPI Mode (TC32306FTG is slave.) (Including SPI User Test Mode)		EEPROM Mode (TC32306FTG is master.)		EEPROM User Test Mode (TC32306FTG is slave.)	
	RESET = "L"	Register's Initial (Battery Saving)	RESET = "L"	Battery Saving	RESET = "L"	Register's Initial (Battery Saving)
MODE2	IN	IN	IN	IN	IN	IN
MODE1	IN	IN	IN	IN	IN	IN
CS	IN	IN	High Output	High Output	IN	IN
CLK	IN	IN	Low Output	Low Output	IN	IN
MOSI	IN	IN	Low Output	Low Output	IN	IN
MISO	Z	Z	Z	Z	Z	Z
ENB	IN	IN	IN	IN	IN	IN
TX_SW	Pull Down	Pull Down	IN	IN	IN	IN
RX_SW	Pull Down	Pull Down	IN	IN	IN	IN
DATA_IO	Z	Low Output	Z	Low Output	Z	Low Output
DET_TMON1,2	Low Output	Low Output	Low Output	Low Output	Low Output	Low Output
DET_TMON3,4	Z	Z	Z	Z	Z	Z

Z: High Impedance

Notice: In SPI Mode, TC32306FTG accepts the input of SPI settings at RESET = "L", but will not act.

In Battery Saving Status, DATA\_IO pin behavior changes to the value of register:h'0A[D5]RX\_TX. Initial value of register:h'0A[D5]RX\_TX is "0".

**Table 5-3 DATA\_IO Pin Behavior in Battery Saving**

Pin	h'0A[D5]RX_TX = "0" (RX: Initial)	h'0A[D5]RX_TX = "1" (TX)
DATA_IO	Low Output	Z

Z: High Impedance

In Battery Saving Status, MISO pin changes its behavior at SPI Read when TC32306FTG is slave.

**Table 5-4 MISO Pin Behavior in Battery Saving (TC32306FTG is slave.)**

Pin	At SPI Read	Except SPI Read
MISO	OUT	Z

Z: High Impedance

**6. Functional Description**

**6.1 Voltage Supply Settings**

The voltage supply of TC32306FTG is selectable either 3V or 5V. The supply voltage is selected by setting of 3V/5V pin, and it decides pin connections. At 5V use, connect 3V/5V pin to a voltage supply, then the internal voltage regulator (A\_REG30; for analog 3V) makes 3V (typ.) for internal circuit and outputs same to A\_VDD\_3V pin for the matching of LNA and PA.

**Table 6-1 Voltage Supply Pins Connection**

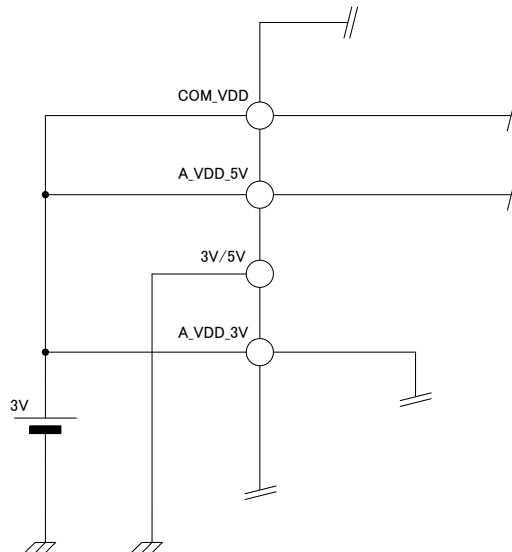
Pin Name	3V Use	5V Use
3V/5V (Behavior of A_REG30 Regulator)	GND (Disable)	5V Supply Input (Enable)
A_VDD_3V	3V Supply Input	Output of A_REG30 Regulator (Do not supply to external circuits.)
A_VDD_5V	3V Supply Input	5V Supply Input
COM_VDD	3V Supply Input	5V Supply Input

**6.1.1 3V Use**

At 3V use, connect 3V/5V pin to ground. Connect COM\_VDD pin, A\_VDD\_3V pin and A\_VDD\_5V pin to a stable 3V supply.

Notice:

- Must not operate A\_REG30 regulator for 5V use.
- Must not connect COM\_VDD pin to voltage supply out of range of  $V_{DD(3V)}$  shown as Table 8-1.



(This figure is conceptual. Select bypass capacitors in application circuits.)

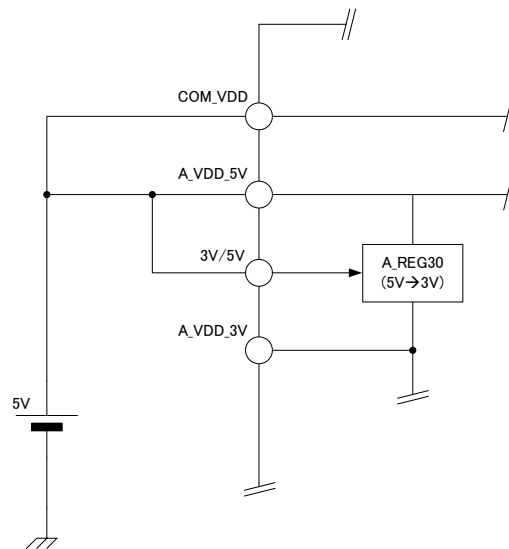
**Fig 6-1 Example of Voltage Supply Connection at 3V Use**

**6.1.2 5V Use**

At 5V use, connect 3V/5V pin to the 5V supply. Connect A\_VDD\_5V pin and COM\_VDD pin to a stable 5V supply.

Notice:

- Must not connect A\_VDD\_3V pin to outside voltage supply.
- Must not connect COM\_VDD pin to voltage supply out of range of  $V_{DD(5V)}$  shown as Table 8-1.
- Must use a voltage supply from A\_VDD\_3V pin (output of A\_REG30 regulator), for the matching circuit of LNA and PA.

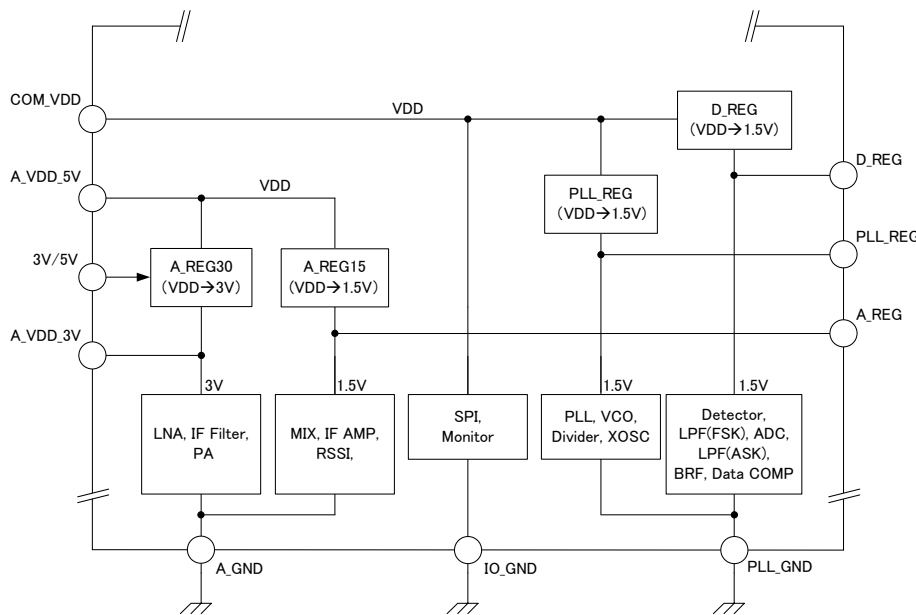


(This figure is conceptual. Select bypass capacitors in application circuits.)

**Fig 6-2 Example of Voltage Supply Connection at 5V Use**

**6.1.3 Supply / Ground Connections**

In TC32306FTG supply / ground connections are separated for each functional block. At 5V use, some of analog functional blocks are connected internal 3V regulator (A\_REG30 regulator). At 3V use, some of analog functional blocks are connected directly 3V supply, by connecting A\_VDD\_3V / A\_VDD\_5V pin.



(This figure shows main supply / ground lines of functional blocks.)

**Fig 6-3 Conceptual Supply / Ground Connection to Functional Blocks**

**6.2 Control Mode Settings**

TC32306FTG has two control modes, SPI (Serial Peripheral Interface) Mode and EEPROM Mode. The control mode settings are selected by MODE2 pin. User Test Mode in each Control Mode is selected by MODE1 pin.

**Table 6-2 Mode of Control**

MODE2 Pin	MODE1 Pin	Control Mode Setting
L	L	SPI Mode
L	H	SPI User Test Mode
H	L	EEPROM Mode
H	H	EEPROM User Test Mode

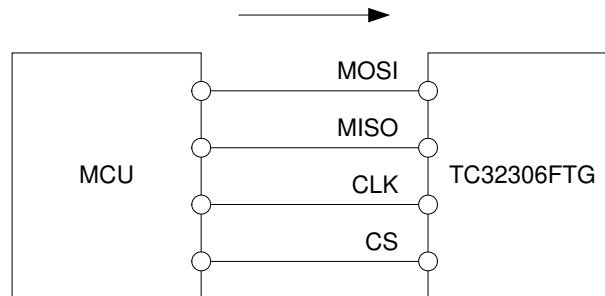
SPI Mode and EEPROM Mode have a difference about an external connection, pin functions and control signal flows. Do not change the Mode settings in the market products.

**Table 6-3 Role of Pin and Control Setting**

Control Setting	CS Pin	CLK Pin	MOSI Pin	MISO Pin	ENB Pin	TX_SW Pin	RX_SW Pin
SPI Mode	"Input" This IC is slave, controlled by MCU.		"Output" This IC is slave, controlled by MCU.	"Input" For this IC status control.	"Output" For antenna switches control.		
SPI User Test Mode	"Output" This IC is master, controls EEPROM.		"Input" This IC is master, reads EEPROM data.	"Input" For EEPROM configuration settings			
EEPROM Mode	"Input" This IC is slave, controlled by MCU.		"Output" This IC is slave, controlled by MCU.				
EEPROM User Test Mode							

**6.2.1 SPI Mode Setting and Connection**

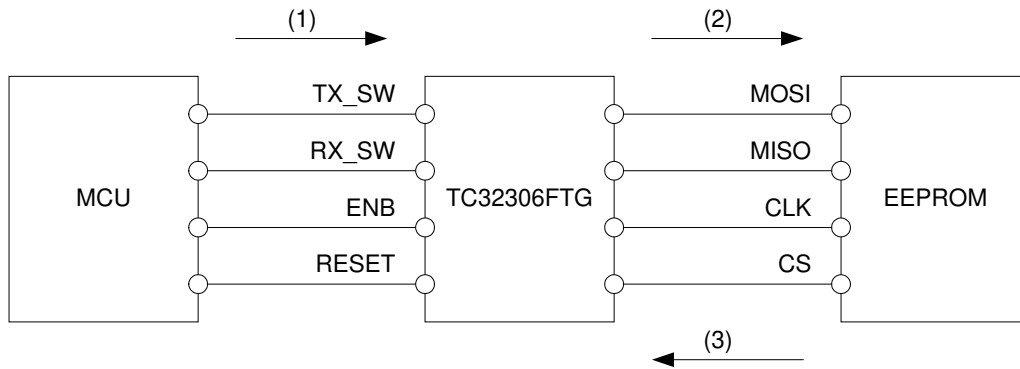
MCU and TC32306FTG are connected by SPI lines and MCU controls this IC.



**Fig 6-4 Conceptual Connection MCU and TC32306FTG**

**6.2.2 EEPROM Mode Setting and Connection**

EEPROM and MCU, connect via TC32306FTG. This IC is controlled by the register data of EEPROM. Select up to 8 configuration that are made as registers from "h'0A" to "h'1C", depending on the size of EEPROM. In this mode, use of pins and external connections are different from those of SPI Mode. For example, TX\_SW / RX\_SW / ENB pin are used to select configuration of EEPROM.



**Fig 6-5 Conceptual Connection MCU, EEPROM and TC32306FTG**

- In advance, write registers' values to each configuration data area of EEPROM.
- MCU commands this IC for selecting configuration data area of EEPROM. (1)
- This IC read a configuration data from EEPROM by SPI lines at the rising edge of RESET pin signal. (2)
- This IC is operated depending on EEPROM data. (3)

### 6.3 Universal Functions and Settings

#### 6.3.1 Reset Status

The internal condition (such as the register value) of TC32306FTG is initialized in this Status. For this IC Reset, input "L" signal to RESET pin surely during stable voltage supply. Also releasing Reset of this IC should be operated during stable voltage supply.

**Table 6-4 RESET Pin Control**

RESET Pin	IC Status
L	Initialize registers and I/O behaviors. Because I/O will be initialized, TC32306FTG does not accept all the settings except some settings. * About I/O behaviors at Reset status, see Table 5-2.
H	Battery Saving / Standby / Run by this IC settings.

\* In EEPROM Mode, ENB pin / TX\_SW pin / RX\_SW pin are available.

Notice:

- Must be reset after voltage supply.
- The value of registers is initialized immediately after reset is released.
- See Table 5-2 of I/O behavior at the register initialized.
- In SPI Mode, TC32306FTG stays Battery Saving from Reset to register setting input, which moves to Run after reset will be released.
- In EEPROM Mode, the internal oscillator circuit for reading EEPROM will start after reset is released.
- Controlling to RESET pin in starting operation of this IC, keep reset status till supply voltage is over 90% of system voltage stably. Wait at least 1 microsecond after reaching that voltage level. Then reset can be released. In the transient starting operation, reset release may cause to be unexpected operation of this IC.

About RESET pin control in starting operation, see Fig 6-6.

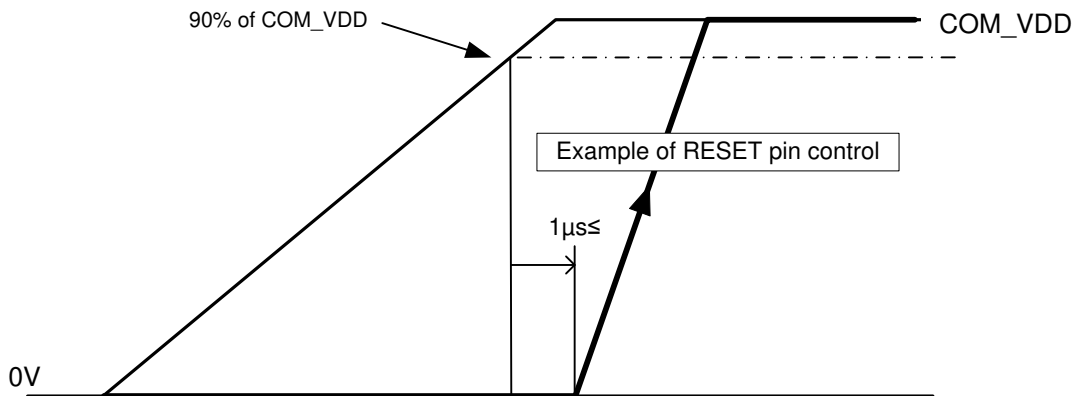


Fig 6-6 Example of RESET Pin Control in Starting Operation

**- Software Reset**

Software Reset will start after write "b'01010101" to register: h'09[D7:D0]RESET7..0. TC32306FTG will be reset as soon as the writing of Software Reset. Then the reset is released by next rising edge of CLK Signal or CS Signal, whichever is earlier. This IC will stay Battery Saving Status till the next Run / Standby command writing.

**Table 6-5 Software Reset Command**

Software Reset Command
h'09[D7:D0]RESET7..0 = b'01010101

Notice:

- Not available in EEPROM Mode (Except EEPROM User Test Mode)
- At Software Reset, only the register will be reset.
- TC32306FTG will output "b'00000000" to read the register: h'09[D7:D0]RESET7..0.

**6.3.2 Status Control**

After reset is released, TC32306FTG has three status, Battery Saving / Standby / Run, then those status are controlled by two registers "h'0A[D7] / h'0A[D6]" and ENB pin. In EEPROM Mode, ENB pin is used for configuration setting.

**Table 6-6 IC Status in SPI Mode**

MODE2 Pin	ENB Pin	h'0A[D7]ENB	h'0A[D6]ACT	Status	Description
L	L	X	X	Battery Saving	The lowest current consumption status. TC32306FTG only can accept control data (register setting) and control settings and they can be changed. The transition from this status to Run will spend longer time than Standby
L	H	0	X		
L	H	1	0	Standby	This IC can move from this status to Run quickly. This IC can accept control data and operate XOSC and regulators, and consume more current than Battery Saving.
L	H	1	1	Run	This IC can operate TX and RX. This IC current consumption and status transition time depend on the behaviors.

X: Don't care

In SPI Mode, MODE 1 pin is unrelated to the status control of TC32306FTG. Moving to Battery Saving by AutoOff function, registers "h'0A[D7] ENB, h'0A[D6] ACT" keep the value "1".

**Table 6-7 IC Status in EEPROM Mode**

MODE2 Pin	h'0A[D7]ENB	h'0A[D6]ACT	Status	Description
H	0	X	Battery Saving	The lowest current consumption status. TC32306FTG only can accept control settings and they can be changed. The transition from this status to Run will spend longer time than Standby
H	1	0	Standby	This IC can move from this status to Run quickly. This IC can accept control data and operate XOSC and regulators, and consume more current than Battery Saving.
H	1	1	Run	This IC can operate TX and RX. This IC current consumption and status transition time depend on the behaviors.

X: Don't care

In EEPROM Mode, MODE1 pin "H" leads EEPROM User Test Mode. In EEPROM User Test Mode, this IC will change to be slave. In EEPROM Mode and EEPROM User Test Mode, ENB pin sets EEPROM address of configuration data and is unrelated to the status control of this IC. Moving to Battery Saving by AutoOff function, registers“h'0A[D7] ENB, h'0A[D6] ACT” keep the value “1”.

**6.3.3 Output Drive Settings**

Select output drive setting at DATA\_IO pin / MISO pin / DET\_TMONI1 pin / DET\_TMONI2 pin by setting registers“h'0D[D3]DATA\_IO\_D, h'0D[D2]MISO\_D, h'0D[D1]TMONI\_D”. The settings become valid when reset is released (RESET = "H").

**Table 6-8 Output Drive Settings**

h'0D[D3]DATA_IO_D	DATA_IO pin drive setting
h'0D[D2]MISO_D	MISO pin drive setting
h'0D[D1]TMONI_D	DET_TMONI1, DET_TMONI2 pin drive setting
0	Low drive setting
1	High drive setting

**6.3.4 Antenna Switch Control**

It is a function to control external antenna switch. Set registers“h'0A[D3]TX\_SW, h'0A[D2]RX\_SW”, and TC32306FTG outputs control signals from TX\_SW / RX\_SW pin. The controls become valid at Run and Standby Status. These pins cannot be available in EEPROM Mode and EEPROM User Test Mode as using for input pins.

**Table 6-9 Antenna Switch Control Settings**

MODE2 Pin	Status	h'0A[D3]TX_SW	TX_SW Pin
		h'0A[D2]RX_SW	RX_SW Pin
L	Buttery Saving	X	L
L	Run / Standby	0	L
L	Run / Standby	1	H
H	X	X	Input pin

X: Don't care

Notice: These pins condition "L" is pulled down through a resistor. External circuit cannot be driven in these pins condition.



**6.3.5 Monitoring Control**

Set registers“h'14[D6:D4], h'14[D2:D0]” and TC32306FTG outputs monitoring signals from DET\_TMONI1 pin / DET\_TMONI2 pin. The controls become valid at Run or Standby Status.

**Table 6-10 Monitoring Signals**

Status	h'14[D6] MONI1_SEL2	h'14[D5] MONI1_SEL1	h'14[D4] MONI1_SEL0	DET_TMONI1 Pin Output Signal
	h'14[D2] MONI2_SEL2	h'14[D1] MONI2_SEL1	h'14[D0] MONI2_SEL0	DET_TMONI2 Pin Output Signal
Battery Saving	X	X	X	Low level output
Run / Standby	0	0	0	Low level output
Run / Standby	0	0	1	DET_out
Run / Standby	0	1	0	Preamble_DET_out
Run / Standby	0	1	1	RSSI_DET_out
Run / Standby	1	0	0	NDET_out
Run / Standby	1	0	1	Status_MONI
Run / Standby	1	1	0	Un_DET_out
Run / Standby	1	1	1	PLL_LD

X: Don't care

(1) DET\_out Signal

TC32306FTG outputs the result of overall "Detection" judgment depending on RSSI detection, Noise detection and/or Preamble detection.

L: NOT determine "Signal Detection"

H: Determine "Signal Detection"

Set register:h'10[D2]DET\_out\_cnt\_en="1", TC32306FTG holds DET\_out output level "H" after first "Signal Detection".

**Table 6-11 DET\_out Signal Settings**

h'10[D2] DET_out_cnt_en	DET_out Signal
0	Sequential updating
1	Hold output level "H" after first "Signal Detection"

Notice: To release DET\_out signal output holding, move to Battery Saving / Standby Status.

(2) Preamble\_DET\_out Signal

TC32306FTG outputs the result of "Signal Detection" by Preamble Detector.

L: NOT determine "Signal Detection"

H: Determine "Signal Detection"

(3) RSSI\_DET\_out Signal

TC32306FTG outputs the result of "Signal Detection" by RSSI Detector.

L: NOT determine "Signal Detection"

H: Determine "Signal Detection"

(4) NDET\_out Signal

TC32306FTG outputs the result of "Signal Detection" by Noise Detector.

L: NOT determine "Signal Detection"

H: Determine "Signal Detection"

- (5) Status\_MONI Signal  
TC32306FTG outputs its status.  
L: Battery Saving  
H: Standby / Run
  
- (6) Un\_DET\_out Signal  
TC32306FTG outputs the result of overall "No Signal Detection" judgment depending on RSSI detection , Noise detection and/or Preamble detection.  
L: NOT determine "No Signal Detection"  
H: Determine "No Signal Detection"
  
- (7) PLL\_LD Signal  
TC32306FTG outputs the result of PLL lock detection.  
L: No PLL lock detection  
H: PLL lock detection.

**Table 6-12 Logic of DET\_out, Un\_DET\_out Signal**

Detection				No Detection			
RSSI Detection Signal	Noise Detection Signal	Preamble Detection Signal	DET_out Signal	RSSI Detection Signal	Noise Detection Signal	Preamble Detection Signal	Un_DET_out Signal
*	*	H	H	*	*	H	H
*	*	L	L	H	H	L/OFF	H
*	H	OFF	H	L	H	L/OFF	L
H	L/OFF	OFF	H	OFF	H	L/OFF	H
L/OFF	L/OFF	OFF	L	*	L	L/OFF	L
				H	OFF	L/OFF	H
				L	OFF	L/OFF	L
				OFF	OFF	L/OFF	L

H: "Signal Detection" is determined.  
L: TC32306FTG cannot determine "Signal Detection".  
OFF: Stopping signal detection  
\*: Don't Care

H: "No Signal Detection" is determined.  
L: TC32306FTG cannot determine "No Signal Detection".  
OFF: Stopping signal detection  
\*: Don't Care

**6.4 Local Oscillator**

**6.4.1 Local Oscillation Abstracts**

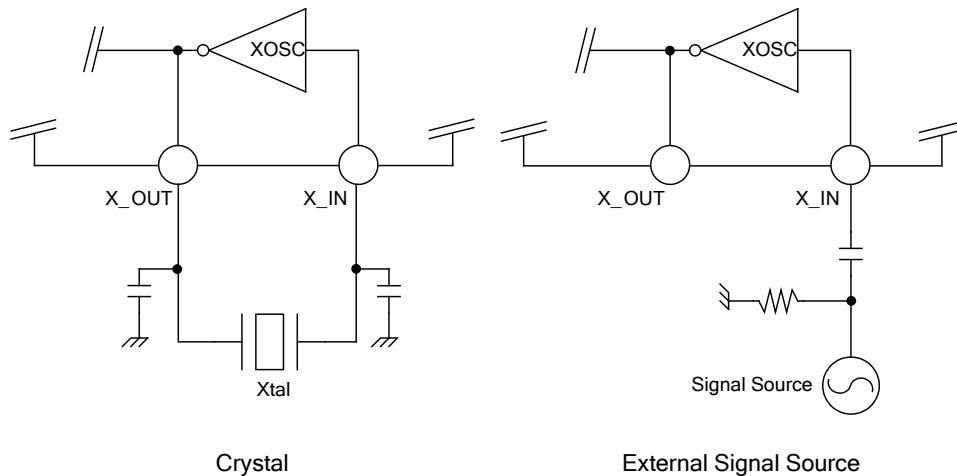
**Table 6-13 Local Oscillation Abstracts**

Item	Function
Reference Clock Frequency	30.32MHz (Fixed)
PLL	Fractional - N PLL
VCO Frequency	1732 - 1896MHz
Divider	1/6, 1/4, 1/2 (Setting three stages)
Local Frequency	315, 434, 868 / 915 MHz

**6.4.2 Reference Clock**

Prepare 30.32MHz reference clock for TC32306FTG. To use crystal oscillator, connect it between X\_IN pin and X\_OUT pin with load capacitors. This IC is designed and considered to connect a crystal oscillator with the load capacitance of 6pF.

To use an external signal generator, for example TCXO, connect it to X\_IN Pin via a coupling capacitor. Also Open X\_OUT Pin and keep input signal level range from 0.5 V to 1.5 V (Peak to peak). Don't supply reference clock signal to external circuit from X\_OUT pin.



**Fig 6-7 Case of Reference Clock Circuit**

**6.4.3 Local Oscillation**

Local oscillator block consists of the fractional-N PLL, VCO and frequency divider. Local frequency is the output of frequency divider. Select the division ratio for expected frequency band. Set register:h'0A[D1:D0] and select the division ratio.

**Table 6-14 RF Frequency & Division Ratio**

h'0A[D1] BAND1	h'0A[D0] BAND0	RF Frequency Band	Division Ratio
0	0	315MHz	6
0	1	434MHz	4
1	X	868 / 915MHz	2

X: Don't care

Set the integer counter and fractional counter of registers“h'0B[D7:D0], h'0C[D7:D0]” to set Local frequency. When PLL is locked to the expected frequency, PLL\_LD signal turns to be "H". To output

PLL\_LD signal from DET\_TMONI1 pin and/or DET\_TMONI2 pin, set registers "h'14[D6:D4], [D2:D0]".

**(1) Local Oscillation Setting for RX**

Set Local Oscillator frequency at "Lower Local".

"Receiving Local Frequency" = "RF Receiving Frequency" - "IF Frequency" = "VCO Frequency" / "Division Ratio"

<p>Example 1                  RF Frequency: 314.94MHz, IF Frequency: 280kHz, Division Ratio: 6 (Select 315MHz band)                  "Receiving Local Frequency" = 314.94MHz - 0.28MHz = 1887.96MHz / 6</p> <p>Example 2                  RF Frequency: 314.94MHz, IF Frequency: 230kHz, Division Ratio: 6 (Select 315MHz band)                  "Receiving Local Frequency" = 314.94MHz - 0.23MHz = 1888.26MHz / 6</p>
---

**(2) Local Oscillation Setting for TX**

Set Local Oscillator frequency equal to RF transmitting frequency.

"Transmitting Local Frequency" = "RF Transmitting Frequency" = "VCO Frequency" / "Division Ratio"

<p>Example                  RF Frequency: 314.94MHz, Division Ratio: 6 (Select 315MHz band)                  "Transmitting Local Frequency" = 314.94MHz = 1889.64MHz / 6</p>
--

**6.5 RF Receiver**

For RF-Receiving, set register: h'0A[D5] = "0".

**6.5.1 RF-Receiving Abstract**

**Table 6-15 Receiving Function Abstracts**

Item	Function	
RF-Receiving Frequency Band	315, 434, 868 / 915 MHz	
IF Frequency	IF = 230kHz, setting of IF Filter Bandwidth: wide = 320kHz IF = 280kHz, setting of IF Filter Bandwidth: middle = 270kHz Single conversion system (Using Image Cancel Mixer)	
Demodulation	FSK / ASK	
	FSK Demodulation	ASK Demodulation
IF Detection	Delay Detection, Pulse Count Detection	Envelope Detection
Signal Detection	RSSI Detection, Noise Detection, Preamble Detection	RSSI Detection, Preamble Detection
Additional Function	NIR (Near Interference Rejection) Filter	-
Bit Rate Filter Cutoff Frequency	0.436kHz -19.78kHz (12 steps)	

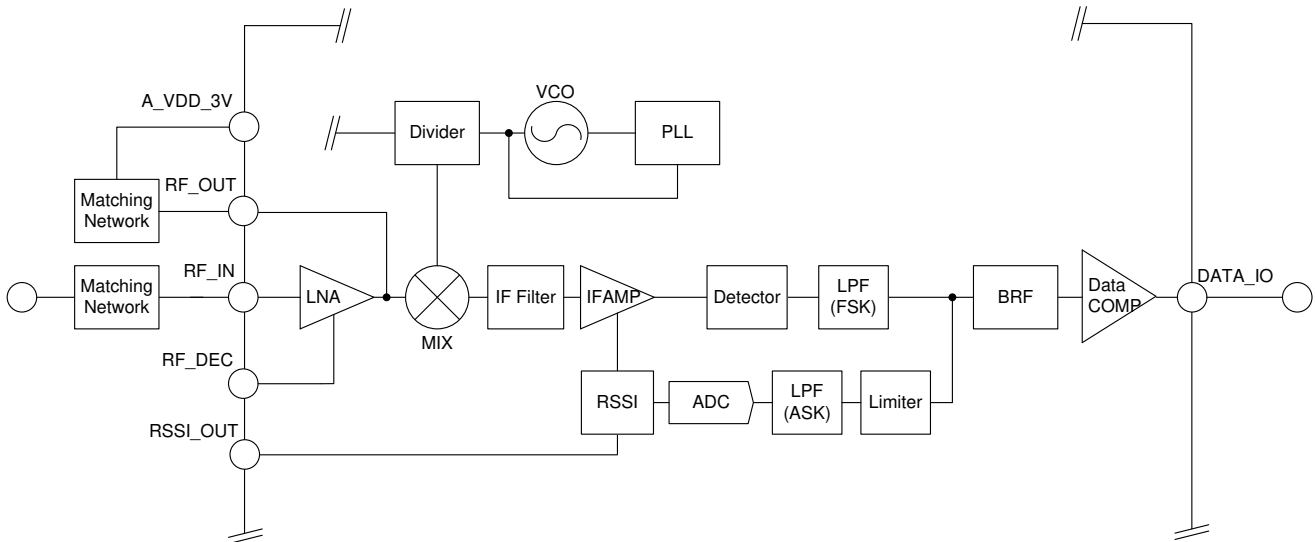


Fig 6-8 Receiver Block Diagram

6.5.2 Receiving Frequency Band

TC32306FTG is available following frequency bands, 315, 434, and 868/915 MHz.

6.5.3 Receiver Gain

Adjust overall gain of receiver block by matching network. The gain of LNA is controlled by the value of register: h'0E[D7:D6].

Table 6-16 LNA Gain Control

h'0E[D7] Lna_gain1	h'0E[D6] Lna_gain0	LNA Relative Gain (Reference value)
0	0	0 (Initial)
0	1	+0.8dB
1	0	+1.7dB
1	1	+2.5dB

Above are reference values at 315 MHz.

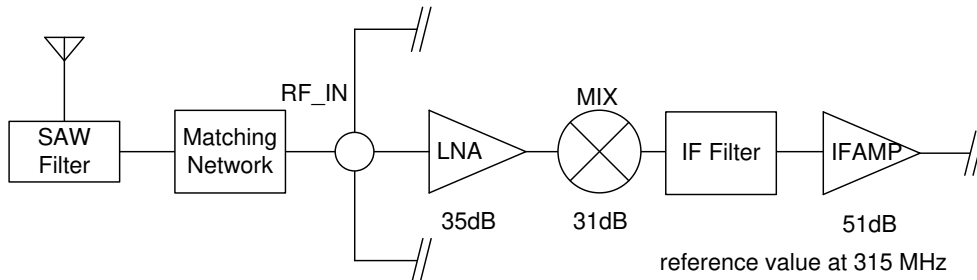


Fig 6-9 Receiver Gain Distribution

RF\_IN pin is input of LNA. Input a RF signal via a suitable matching network. RF\_OUT pin is output of LNA and open drain output. Supply voltage via a matching network. See the Evaluation Circuit for both input and output matching network. About RF\_DEC pin, connect a capacitor (1000 pF (typ.)) and resistor (100 Ω (typ.)), such as Fig 6-10 Typical LNA Network.

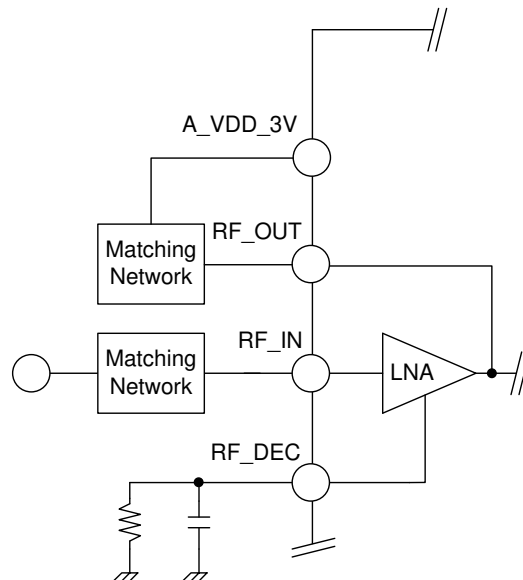


Fig 6-10 Typical LNA Network

6.5.4 IF Frequency

TC32306FTG has the single conversion system. The output of LNA is downconverted to IF frequency by Image Cancel Mixer. Set IF frequency with adequate IF filter bandwidth by setting of register.

Table 6-17 IF Frequency and Internal IF Filter Bandwidth

h'0E[D5] IFBW	IF Frequency	Internal IF Filter Bandwidth (Selected)
0	230kHz	320 kHz (typ.)
1	280kHz	270 kHz (typ.)

6.5.5 Demodulation

Select a type of demodulation (ASK or FSK) by the value of register:h'0A[D4]. Depending upon a type of demodulation, IF filter output signal has different path, RF detection and additional functions.

Table 6-18 Demodulations

h'0A[D5]RX_TX	h'0A[D4]FSK_ASK	Status
0	0	FSK (RX)
0	1	ASK (RX)
1	XX	TX

XX: About TX, see Table 6-30.

6.5.6 FSK Demodulation

To select FSK, set register:h'0A[D4] to "0"(FSK).

(1) NIR (Near Interference Rejection) Filter

Select the filter Enable/Disable by the value of register:h'10[D1]. This filter reduces a interfere signal near 300 kHz offset frequency. This filter is a notch type and the peak attenuation is about 20 dB. The notch frequency is selectable by the value of register:h'1B[D2:D1].

**Table 6-19 Settings of NIR Filter**

h'10[D1]NIR_Fil_en	h'1B[D2]NIR_Frqth1	h'1B[D1]NIR_Frqth0	Filter Enable/Disable & Notch Frequency
0	X	X	Disable: -
1	0	0	Enable: 631 kHz
1	0	1	Enable: 659 kHz
1	1	0	Enable: 689 kHz
1	1	1	Enable: 712 kHz

X: Don't care

To use NIR filter (h'10[D1]NIR\_Fil\_en = "1"), Set following registers for the threshold level of NIR filter's detection (h'0D[D0], h'0F[D0], h'12[D1:D0], h'13[D0], h'1A[D0], h'1B[D0], h'1C[D2:D0]), according to the Detection selections (Delay Detection; h'10[D0]Sel\_Det = "0" / Pulse Count Detection; h'10[D0]Sel\_Det = "1" ). Table 6-20 is a recommended setting by Toshiba.

**Table 6-20 Settings of NIR Filter (Recommended Value)**

h'10[D1]NIR_Fil_en	h'10[D0]Sel_Det	Register value for the threshold level of NIR filter's detection (Recommended value)								Detection	NIR Filter Performance (IC Application)
0	-	Don't care								-	-
1	0	h'0F[D0]NIR_L2	1	h'1B[D0]NIR_2L1	1	h'0D[D0]NIR_H2	0	h'12[D0]NIR_2H1	0	Delay Detection	After the interference is detected, NIR filter becomes valid and stays to it. (for intermittent RX)
		h'1C[D1]NIR_L1	1	h'1C[D2]NIR_2L0	0	h'13[D0]NIR_H1	0	h'12[D1]NIR_2H0	0		
		h'1C[D0]NIR_L0	0	-	-	h'1A[D0]NIR_H0	0	-	-		
	h'0F[D0]NIR_L2	1	h'1B[D0]NIR_2L1	1	h'0D[D0]NIR_H2	0	h'12[D0]NIR_2H1	0	Validity of NIR filter is depending on the detection of the interference. (for continuous RX)		
	h'1C[D1]NIR_L1	1	h'1C[D2]NIR_2L0	0	h'13[D0]NIR_H1	0	h'12[D1]NIR_2H0	1			
	h'1C[D0]NIR_L0	0	-	-	h'1A[D0]NIR_H0	0	-	-			
1	1	h'0F[D0]NIR_L2	0	h'1B[D0]NIR_2L1	1	h'0D[D0]NIR_H2	0	h'12[D0]NIR_2H0	0	Pulse Count Detection	NIR filter is always valid.
		h'1C[D1]NIR_L1	0	h'1C[D2]NIR_2L0	1	h'13[D0]NIR_H1	0	h'12[D1]NIR_2H1	0		
		h'1C[D0]NIR_L0	0	-	-	h'1A[D0]NIR_H0	0	-	-		

(2) IF Detector

Select a type of IF Detections (Delay Detection / Pulse Count Detection) by the value of register:h'10[D0]. Select either detector suitable to the application. Both Delay Detection and Pulse Count Detection can convert input signal frequency (0-500 kHz) to voltage output. In Pulse Count Detection, over 500 kHz input signal frequency is converted to the voltage output equal to 500 kHz. In Delay Detection, the characteristic of S curve is mirror inverted at 500 kHz signal input. Select the High Frequency Detector by the value of register:h'0F[D4] in Delay Detection, over 500 kHz input signal frequency is converted to the voltage output equal to 500 kHz.

**Table 6-21 Settings of IF Detector / High Frequency Detector**

h'10[D0]Sel_Det	h'0F[D4]Hdet_en	Status
0	0	Delay Detection: High Frequency Detector Disable
0	1	Delay Detection: High Frequency Detector Enable
1	X	Pulse Count Detection

X: Don't care

Notice:

- IF filter characteristics affects the maximum available signal frequency of High Frequency Detector.

- High Frequency Detector Auto Off

After DET\_out Signal is H level in Signal Detection function, High Frequency Detector will be automatically turned off by the setting of register: h'1A[D1] = "1". That may reduce the influence on RF receiver sensitivity. When both Delay Detection and High Frequency Detector are enabled (h'10[D0]Sel\_Det = "0" and h'0F[D4]Hdet\_en = "1"), this function is valid. To use this function again after Auto Off, set status to Battery Saving / Standby or digital block being disabled. This setting will be valid immediately after the data input to register:h'1A.

(3) LPF for FSK

The cutoff frequency of LPF for FSK is about 20 kHz.

(4) Signal Detections

In FSK, TC32306FTG is available 3 types of Signal Detections, RSSI Detection / Noise Detection / Preamble Detection. These Signal Detections have various sensitivity and accuracy, so select Signal Detection suitable to the application. Signal Detection parameters, such as Enable/Disable, detection interval, threshold level of detection and number times for judgment are set by register. These Signal Detections show signal situations as "Signal Detection" or "No Signal Detection" and these outputs depend on number of continuous times to be set in advance, which is above or below the threshold level.

Notice:

"Signal Detection" and "No Signal Detection" depend on TC32306FTG internal judgment. Those don't guarantee actual signal situations. It may be possible to be neither "Signal Detection" nor "No Signal Detection".

**Table 6-22 Signal Detections in FSK**

Item	RSSI Detection	Noise Detection	Preamble Detection	
Method	Monitoring integrated signal level at IF AMP.	Monitoring noise level near 34 kHz in FSK demodulation signal.	Monitoring preamble signal at Data COMP. output (Data pattern:10101...), .	
Signal Detection Enable / Disable	h'0F[D7]Drssi_en 0:Disable / 1:Enable	h'0F[D5]Ndet_en 0:Disable / 1:Enable	h'0F[D6]Preamble_en 0:Disable / 1:Enable	
Detection Interval	h'1A[D7:D6]Ntime1..0 0.338 - 2.7ms (4steps) Cannot set RSSI detection and Noise detection independently.		h'1A[D2]Pre_DetTrig 0: signal period 1: signal bit	
Detection Threshold Level	h'16[D7:D0]DRSSI_Th7..0 8bit(256steps)	h'19[D7:D2]Ndet_Th5..0 6bit(64steps)	Preamble detection Interval (512steps) h'18[D7]Pre_Time8/h'17[D7:D0]Pre_Time7..0	
			Preamble detection error margin(128steps) h'18[D6:D0]Err_Margin6..0	
Detection Number of Times for judgment	One time detection	One time detection	h'1A[D4:D3]Pre_DetCount1..0	
			Signal Detection	No Signal Detection
			3-6 period / 6-12bit(4steps)	3 period / 4 bit
Signal Detection	above threshold. (RSSI_DET_out signal = "H")	below threshold. (NDET_out signal = "H")	Continuously within the error margin. (Preamble_DET_out signal = "H")	
No Signal Detection	Below threshold level.	Above threshold level.	Continuously without the error margin.	

- Each results of Signal Detection (RSSI\_DET\_out signal / NDET\_out signal / Preamble\_DET\_out signal) can be monitored in User Test. Each results of "No Signal Detection" cannot be monitored directly.

- About each setting in detail, see "Register Overview & Description".

TC32306FTG outputs DET\_out signal (Judgment of "Signal Detection") and Un\_DET\_out signal (Judgment of "No Signal Detection") to DET\_TMONI1 pin and DET\_TMONI2 pin, as the result of 3 overall signal detection judgment.



A) Additional Note of noise addition for high frequency signal

Noise Detection monitors noise level near 34 kHz in FSK demodulation signal. Therefore, both “Signal Detection” and “No Signal Detection” in Noise Detection function may be false because of the noise reduction caused by high frequency signal. To avoid this, TC32306FTG has an additional function to improve detection accuracy.

This function improves detection accuracy to add a constant value to detected noise level when input signal is high frequency. Set register:h'19[D0]Add\_Hdet\_en = "1" and this is valid. This function operates independently following register settings, Noise Detection (h'0F[D5]]Ndet\_en), IF Detection (h'10[D0]Sel\_Det) and High Frequency Detector (h'0F[D4]Hdet\_en).

**Table 6-23 Settings of Noise Addition for High Frequency Signal**

h'0F[D5] Ndet_en	h'19[D0] Add_Hdet_en	Function Status
0	0	Both Noise Detection and Noise Addition for High Frequency Signal are not valid.
0	1	Noise Addition for High Frequency Signal is valid. Noise Detection is not valid. “No Signal Detection” is operated, but “Signal Detection” is not operated.
1	0	Noise Detection is valid. Noise Addition for High Frequency Signal is not valid.
1	1	Both Noise Detection and Noise Addition for High Frequency Signal are valid.

Notice:

- In the settings of register: Ndet\_en (h'0F[D5] = "0") and register: Add\_Hdet\_en (h'19[D0] = "1"), when High Frequency Signal is occupied in the half of RSSI / Noise detection interval set by register:[D7:D6]Ntime1..0, the register of Noise Signal Level Monitor (h'23[D7:D0]DNDET7..0) outputs "d'40". When High Frequency Signal is occupied in the full of RSSI / Noise detection interval, the register of Noise Signal Level Monitor (h'23[D7:D0]DNDET7..0) outputs "d'81".
- Noise Addition for High Frequency Signal can be valid in Pulse Count Detection and Delay Detection.
- Noise Addition for High Frequency Signal can be valid even if High Frequency Detector is not valid in Delay Detection.

B) Additional Note of Preamble Detection

The function of Preamble Detection checks signal by counting the number of clocks between the rising edges, or between the falling edge and the rising edge of output signal from Data COMP circuit. If the number of clocks is counted within the set value +/- error margin (h'18[D6:D0]), this signal is recognized as Preamble signal. The clock frequency is twice by the internal clock using in Bit Rate Filter. About internal clock frequency, see Table 6-25.

Notice: 1

- When the function of Preamble Detection checks signal by counting the number of clocks between the rising edges (h'1A[D2] = "0"), the number of count is as same as the setting value of register: Pre\_Time8..0.
- When the function of Preamble Detection checks signal by counting the number of clocks between the rising edge and the falling edge (h'1A[D2] = "1"), the number of count is half of the setting value of register: Pre\_Time8..0. If the value of register: Pre\_Time8..0 is odd, half of this setting value is rounded down to the integer.
- Both signal counting the number of clocks between the rising edges (h'1A[D2] = "0") and between the rising edge and falling edge (h'1A[D2] = "1"), error margin is as same as the setting value of register: Err\_Margin6..0.

Way of setting:

- Setting value: Pre\_Time8..0(h'18[D7],h'17[D7:D0])
- Error margin: Err\_Margin6..0(h'18[D6:D0])
- The number of clocks: Pre\_Time8..0 = (2 x fbc)/fp
- fp: preamble signal cycle frequency

- fbc: internal clock frequency, fixed by Bit Rate Filter setting (h'0E[D4:D1]BRF\_Bit3..0)
- Error margin is as same as the setting value of register: Err\_Margin6..0.

- Calculation example  
 fp = 600Hz  
 fbc = 23.69kHz (Set the cutoff frequency of Bit Rate Filter as 619Hz)  
 Pre\_Time8..0 = (2 x 23.69) / 0.6 = 78.9 → 79(h'18[D7], h'17[D7:D0] = b'001001111)  
 If the number of clocks is within "79±Err\_Margin6..0". RF receiving signal will be recognized as Preamble signal.

Notice: 2

When to use the function of AutoOff Type A with using Preamble Detection, set both Data Comparator Quick Charge 1 and 2 to the status of ON.

(In the settings of register: AutoOffA\_en (h'10[D5] = "1") and register: Preamble\_en (h'0F[D6] = "1"), set register: Data Comparator Quick Charge 1 (h'10[D7] = "1") and register: Data Comparator Quick Charge 2 (h'10[D6] = "1").)

If not set above, the function of AutoOff Type A may fail an expected operation. As the result, this IC can't continue enough signal detection period and an valid data can't be get in some.

**6.5.7 ASK Demodulation**

To select ASK, set register:h'0A[D4] to "1"(ASK).

- (1) RSSI  
 Detect the level of IF signal.
- (2) AD converter (ADC)  
 Digitize the level of IF signal detected by RSSI.
- (3) LFP (ASK)  
 The cutoff frequency of LPF (fc) is about 40 kHz.
- (4) Limiter (This is only valid to use the function of Data Comparator Quick Charge 2.)  
 This is only valid to use the function of Data Comparator Quick Charge 2 in the subsequent Data Comparator circuit. RSSI signal voltage through LPF is kept over the internal setting value in Limiter circuit. Limit level is calculated with the peak voltage in the sequential. The peak voltage is detected in Peak Hold Circuit in the subsequent of Bit Rate Filter.

- Peak Hold Circuit

Peak Hold Circuit outputs peak voltage to track its input (Bit Rate Filter output) with time constant that is fast at the rising of the input signal and that is slow at the falling of the input signal. The time constants are tp' / fbc at charging and tr / fbc at discharging.

\* fbc: internal clock frequency set by Bit Rate Filter, register:h'0E [D4:D1]BRF\_Bit3..0

\* tp': inverse number of 1/tp + 1/tr

\* tp: peak hold voltage charge coefficient, register:h'1C [D4:D3] Peak\_Charge1..0

\* tr: peak hold voltage discharge coefficient, register:h'1C [D7:D5] Peak\_Ref2..0

When TC32306FTG starts to Run status, Peak Hold Circuit output voltage will reach 90% of the peak voltage during "tp' / fbc x 2.30[s]".

**Table 6-24 Setting of Peak Hold Circuit**

Input Signal of Peak Hold Circuit	Status	Register to set time constant
During the signal rising	Viph - voph ≥ 0	h'1C[D4:D3]Peak_Charge1..0 h'1C[D7:D5]Peak_Ref2..0
During the signal falling	Viph - voph < 0	h'1C[D7:D5]Peak_Ref2..0

Viph: Input voltage of Peak Hold Circuit

Voph: Output voltage of Peak Hold Circuit

Notice:

- Must not set the value of tp (set by register:h'1C [D4:D3] Peak\_Charge1..0) smaller than the value of Quick Charge Coefficient (set by register:h'1B[D7:D6]Charge2\_Ref1..0).
- Set the value of tp (set by register:h'1C [D4:D3] Peak\_Charge1..0) much smaller than the value of tr (set by register:h'1C[D7:D5]Peak\_Ref2..0).
- The peak hold level can be monitored at the register:h'1F[D7:D0]PEAK7..0.
- Limiter will be bypassed when Data Comparator Quick Charge 2 is not used.

(5) Signal Detection

In ASK, TC32306FTG is available 2 types of detections, RSSI Detection / Preamble Detection. Those detections are as same as that in FSK. Noise Detection cannot be available in ASK.

**6.5.8 Bit Rate Filter**

The cutoff frequency of Bit Rate Filter can be available in 12 steps between 0.436 kHz and 19.78 kHz by the setting of register:h'0E[D4:D1]. Select and set suitable cutoff frequency regarding demodulated signal data rate. There are different characteristic of LPF in ASK or FSK. Set the cutoff frequency with considering them.

The cutoff frequency is only for Bit Rate Filter. Set it to consider the influence of LPF (FSK: fc = 20kHz, ASK: fc = 40 kHz) of the previous circuit.

**Table 6-25 Settings of Bit Rate Filter and Cutoff Frequency including LPF**

h'0E[D4] BRF_Bit3	h'0E[D3] BRF_Bit2	h'0E[D2] BRF_Bit1	h'0E[D1] BRF_Bit0	Cutoff Frequency (fc)	Cutoff Frequency including the previous LPF		Internal Clock (fbc)
					FSK	ASK	
0	0	0	0	19.8 kHz	14.1 kHz	17.8 kHz	758 kHz
0	0	0	1	14.0 kHz	11.5 kHz	13.2 kHz	758 kHz
0	0	1	0	9.90 kHz	8.91 kHz	9.62 kHz	379 kHz
0	0	1	1	6.98 kHz	6.60 kHz	6.88 kHz	379 kHz
0	1	0	0	4.95 kHz	4.81 kHz	4.91 kHz	189 kHz
0	1	0	1	3.49 kHz	3.44 kHz	3.47 kHz	189 kHz
0	1	1	0	2.48 kHz	2.46 kHz	2.47 kHz	94.8 kHz
0	1	1	1	1.74 kHz	1.74 kHz	1.74 kHz	94.8 kHz
1	0	0	0	1.24 kHz	1.24 kHz	1.24 kHz	47.4 kHz
1	0	0	1	0.872 kHz	0.872 kHz	0.872 kHz	47.4 kHz
1	0	1	0	0.619 kHz	0.619 kHz	0.619 kHz	23.7 kHz
1	0	1	1	0.436 kHz	0.436 kHz	0.436 kHz	23.7 kHz
1	1	0	0	19.8 kHz	14.1 kHz	17.8 kHz	758 kHz
1	1	0	1	14.0 kHz	11.5 kHz	13.2 kHz	758 kHz
1	1	1	0	19.8 kHz	14.1 kHz	17.8 kHz	758 kHz
1	1	1	1	14.0 kHz	11.5 kHz	13.2 kHz	758 kHz

Notice:

The cutoff frequency and the Internal Clock of Bit Rate Filter are derived from 30.32MHz Reference Clock Frequency.

**6.5.9 Data Comparator**

Data Comparator shapes the waveform of the demodulated output signal of Bit Rate Filter, and

outputs the result signal to DATA\_IO pin. That demodulated signal is inverted from modulated signal.

(1) Reference Voltage

The reference voltage of Data Comparator (vref) is determined by the value tracking input voltage of Data Comparator (vi) with slow time constant. The time constant is nr / fbc, and nr is set by register:h'1B[D5:D3]Cmp\_Ref2..0. Set it suitable with considering the signal data rate or coding.

Time constant = nr / fbc

\* fbc: internal clock frequency set by Bit Rate Filter, register:h'0E [D4:D1]BRF\_Bit3..0

The duty of Data Comparator output will be worse, due to the large fluctuation of vref caused by setting of unsuitable time constant or number of consecutive data with the same sign. Then suitable time constant can be simply calculated by the following equation. In the equation, vdiff[%] is fluctuation of vref and t is a maximum number of consecutive data of the same sign minus 1.

- Way of Setting

Time constant = nr / fbc = t /  $-\ln(1 - \text{vdiff} / 100)$

- Calculation Example  
 Data Rate = 600 Hz  
 fbc = 23.69 kHz (Set the cutoff frequency of Bit Rate Filter as 619 Hz.)  
 fluctuation of vref = 10%  
 The number of consecutive data with the same sign: 4  
 $t = (4-1) / (2 \times 600) = 0.0025\text{s}$   
 $\text{nr}/\text{fbc} = 0.0025 / (-\ln(1-10/100)) = 0.0237$   
 $\text{nr} = 0.0237 \times 23690 = 561.45$   
 Suitable setting value of register: h'1B [D5:D3] is b'100(nr=512). This value is the nearest of 561.45.

The average of vref can be monitored from register: h'21[D7:D0]Ref\_bias7..0 and the fluctuation of vref can be monitored from register:h'20[D7:D0]Ref\_diff7..0. Also vref can be monitored from DET\_TMONI3 or 4 pin. Because the time constant set by Data Comparator Reference Voltage Charge Coefficient (h'1B[D5:D3]Cmp\_Ref2..0) is slower than the signal data rate, the rising time of the signal will be taken long. Data Comparator output voltage will reach 90% of vref with “nr / fbc x 2.30”. To shorten rising time of the signal, use the function of Data Comparator Quick Charge 1 or 2.

(2) Data Comparator Quick Charge 1 (During a certain period)

The function is able to shorten the start period of TC32306FTG because time constant of vref will change to 1/16 or 1/4 only during that period. During start period, the output signal duty will be worse than that during normal condition, but Data Comparator output is obtained faster than the condition without Quick Charge 1. After finishing the certain period, the output signal duty will be improved because the time constant becomes nr / fbc (Normal condition).

**Table 6-26 Quick Charge 1**

	Functional Period of Quick Charge 1		Normal
	The Fastest	Faster	
Time Constant	(nr / fbc) x 1/16	(nr / fbc) x 1/4	nr / fbc
Validity Period	(nr / 4) / fbc	(nr / 2) / fbc	-

The time constant is switched as the Fastest → Faster → Normal.

(3) Data Comparator Quick Charge 2 (Tracking to correspond to the voltage difference)

When the difference between the reference voltage of Data Comparator (vref) and the input voltage of it is larger than preset voltage threshold level (vth), the vref will track the vi as following time constant.

When the difference between vref and vi is large such as in the start period, Data Comparator output is obtained faster than the condition with Quick Charge 1.

Time constant = nr' / fbc

Data Comparator output voltage will reach 90% of vref with “nr / fbc x 2.30[s]”.

\*nr': inverse number of (1/nr + 1/nc)

- \*nr: Data Comparator Reference Voltage Charge Coefficient  
(Set by register:h'1B[D5:D3]Cmp\_Ref2..0.)
- \*nc: Quick Charge Coefficient (Set by register:h'1B[D7:D6]Charge2\_Ref1..0.)

**Table 6-27 Quick Charge 2**

	Value of $ vi - vref $	Time Constant
Functional Period of Quick Charge 2	$ vi - vref  \geq vth$	$nr' / fbc$
Normal	$ vi - vref  < vth$	$nr / fbc$

The threshold level ( $vi - vref$ ) is set according to FSK deviation. When the threshold level is same or smaller than that deviation, receiver sensitivity will be worse because of signal noises around the level of receiver sensitivity. When the threshold level is larger than that deviation, the rising time of signal will be taken longer. Check signals in User Test to set the threshold level as suitable. The threshold level is set by register:h'11[D7:D0]Charge2\_Th7..0.

- Calculation Example of the threshold level  
 The case to set register:h'11 [D7:D0]Charge2\_Th7..0 = 61 (b'00111101)  
 $61 / 1.53 = 39.9 \rightarrow$  equivalent  $\pm 39.9\text{kHz}$   
 1.53 is a constant.

(4) DATA\_IO pin control

DATA\_IO pin outputs the demodulated signal. DATA\_IO pin output can be controlled by the result of Signal Detection by setting register: h'0F[D3].

**Table 6-28 Data\_IO Pin Control**

h'0A[D5] RX_TX	h'0F[D3] Dataout_cnt_en	DET_out Signal	Pin Behavior
0	0	X	Output demodulated signal
0	1	L $\rightarrow$ H	Output demodulated signal
1	X	X	Input pin for TX

X: Don't care

Notice:

- The register: h'0F[D3]Dataout\_cnt\_en is valid in RX.
- When the register: h'0F[D3] = "1", TC32306FTG will output demodulated signal from the first rising edge of DET\_out signal. Till the first rising edge of DET\_out signal, this IC outputs "L".
- When the register:h'0F[D3] = "1" and DET\_out signal changes from "L" to "H", this IC outputs demodulated signal in spite of the condition of DET\_out signal till this IC will be Battery Saving or Standby mode.
- When the register:h'0F[D3] = "1" and non use of Signal Detections, this IC doesn't output demodulated signal. (Fixed "L" output.)

**6.6 RF Transmitter**

For RF-Transmitting, set register:h'0A[D5] = "1".

6.6.1 RF-Transmitting Abstract

Table 6-29 RF-Transmitting Function Abstracts

Item	Function
Modulation	FSK / ASK
Deviation (FSK)	Unmodulated - +/-105 kHz (315MHz Band) Unmodulated - +/-157.5 kHz (434MHz Band) Unmodulated - +/-315kHz (868 / 915MHz Band) * 64 steps in each frequency band. (Including unmodulated)
RF-Transmitting Frequency Band	315, 434, 868 / 915 MHz
Output Level	Coarse: 4 steps Fine: 16 steps

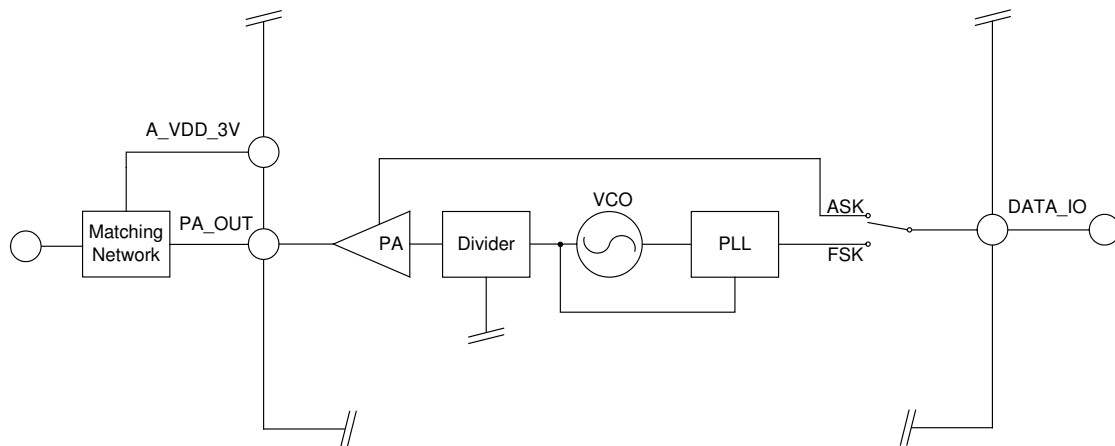


Fig 6-11 Transmitter Block Diagram

6.6.2 RF Signal Modulation

TC32306FTG is available 2 modulation, FSK and ASK to be set by register:h'0A[D4].

Table 6-30 RF Signal Modulation

h'0A[D5]RX_TX	h'0A[D4]FSK_ASK	Modulation
0	XX	RX
1	0	FSK (TX)
1	1	ASK (TX)

XX: About RX, see Table 6-18

6.6.3 FSK Modulation

To select FSK, set register:h'0A[D4] to "0"(FSK). TC32306FTG operates FSK modulation at PLL block with DATA\_IO pin input signal. In FSK setting, the deviation is set by the register:h'12[D7:D2]Dev5..0. Available frequency deviation steps are different at each RF frequency band.

Table 6-31 Deviation Setting (FSK)

h'12[D7] Dev5	h'12[D6] Dev4	h'12[D5] Dev3	h'12[D4] Dev2	h'12[D3] Dev1	h'12[D2] Dev0	n	Deviation after divided (fdev)		
							315 MHz nd = 6	434 MHz nd = 4	868 / 915MHz nd = 2
0	0	0	0	0	0	0	Unmodulated	Unmodulated	Unmodulated
0	0	0	0	0	1	1	+/-1.67 kHz	+/-2.50 kHz	+/-5.00 kHz
0	0	0	0	1	0	2	+/-3.33 kHz	+/-5.00 kHz	+/-10.00 kHz
0	0	0	0	1	1	3	+/-5.00 kHz	+/-7.50 kHz	+/-15.00 kHz
...							...	...	...
0	0	1	1	0	0	12	+/-20.00 kHz	+/-30.00 kHz	+/-60.00 kHz
...							...	...	...
1	1	1	1	0	1	61	+/-101.67 kHz	+/-152.50 kHz	+/-305.00 kHz
1	1	1	1	1	0	62	+/-103.33 kHz	+/-155.00 kHz	+/-310.00 kHz
1	1	1	1	1	1	63	+/-105.00 kHz	+/-157.50 kHz	+/-315.00 kHz

Deviation after divided:  $fdev = (fd / nd) \times n$

fd: Frequency Resolution of VCO 10kHz (= fosc / 3032) \* fosc: Reference Clock Frequency (30.32MHz)

nd: Division Ratio (nd = 6 for 315 MHz Band, nd=4 for 434 MHz Band, nd = 2 for 868 / 915 MHz Band)

n: the value set by register:h'12 [D7:D2]Dev5..0. 0-63 (Converted to decimal.)

6.6.4 ASK Modulation

To select ASK, set register:h'0A[D4] to "1"(ASK). TC32306FTG operates ASK modulation by setting ON and OFF to RF-Transmitting Power Amplifier (PA) with DATA\_IO pin input signal. If PA is enabled (See Table 6-33.), PA output is shown as table 6-32.

Table 6-32 PA Output and Input Logic (ASK)

DATA_IO Input Logic	PA Output
0	OFF
1	ON

6.6.5 TX Output

PA outputs modulated signal to an antenna.

- (1) RF-Transmitting Power Amplifier (PA)

PA output (PA\_OUT pin) is an open drain output. Connect a voltage supply (A\_VDD\_3V pin) via a matching circuit. PA is operated by the combination of register:h'0A[D5]RX\_TX, register:h'13[D1]PA\_en and internal lock detect signal (LD signal). LD signal is an internal signal only for PA, and it will keep high level after the first rising edge of PLL\_LD signal which is monitored from DET\_TMONI1/2 pin.

Table 6-33 Behavior of PA

h'0A[D5] RX_TX	h'13[D1] PA_en	Internal LD Signal	PA behavior
0	X	X	Disable
1	X	L	Disable
1	0	X	Disable
1	1	H	Enable

X: Don't care

Internal LD Signal is only use for PA, and the signal keeps "H" after the first rising edge of PLL\_LD Signal. Above function is only available in TX and Internal LD Signal cannot be monitored. To release

the signal holding state, set one of the follows.

- Set TC32306FTG in the status of Battery Saving or Standby.
- Change from TX to RX.
- Change TX modulation. (ASK ↔ FSK)
- Change RF frequency. (In the change in the value of register “h'0B” and/or “h'0C”)
- Change the value of register:h'12[D7:D2] for TX deviation. (This is only valid in FSK setting (h'0A[D4]FSK\_ASK = “0”))

Notice:

- PA will continue to operate even though PLL\_LD signal will be “L” because Internal LD Signal still keeps to be “H”.
- In PA operation, keep its load condition suitable, and that load condition must not be open or short.
- Only use for RX, keep PA\_OUT pin to be open, and this IC must not be set to TX.
- Must not change RF-Transmitting Frequency Band (register: h'0A[D1:D0]) alone during TX. It may cause of unexpected radiation because the keeping of Internal LD Signal level is not released.

(2) Output level

The output level is controlled 2 types of step (Coarse, Fine) independently by register.

**Table 6-34 Example of PA Output Level (Coarse)**

h'13[D3] TX_gain1	h'13[D2] TX_gain0	Output Level Variation Width (Reference value)
0	0	-10.1dB
0	1	-5.3dB
1	0	-2.0dB
1	1	0dB (Initial)

Above are reference values at 315 MHz Band.

**Table 6-35 Example of PA Output Level (Fine)**

h'13[D7] TX_subgain3	h'13[D6] TX_subgain2	h'13[D5] TX_subgain1	h'13[D4] TX_subgain0	Level Settings
0	0	0	0	Minimum
...				...
1	1	1	1	Maximum (Initial)

The reference level of each PA output settings are indicated in Fig 6-12. The output level steps are different from frequency band or TX\_gain settings.



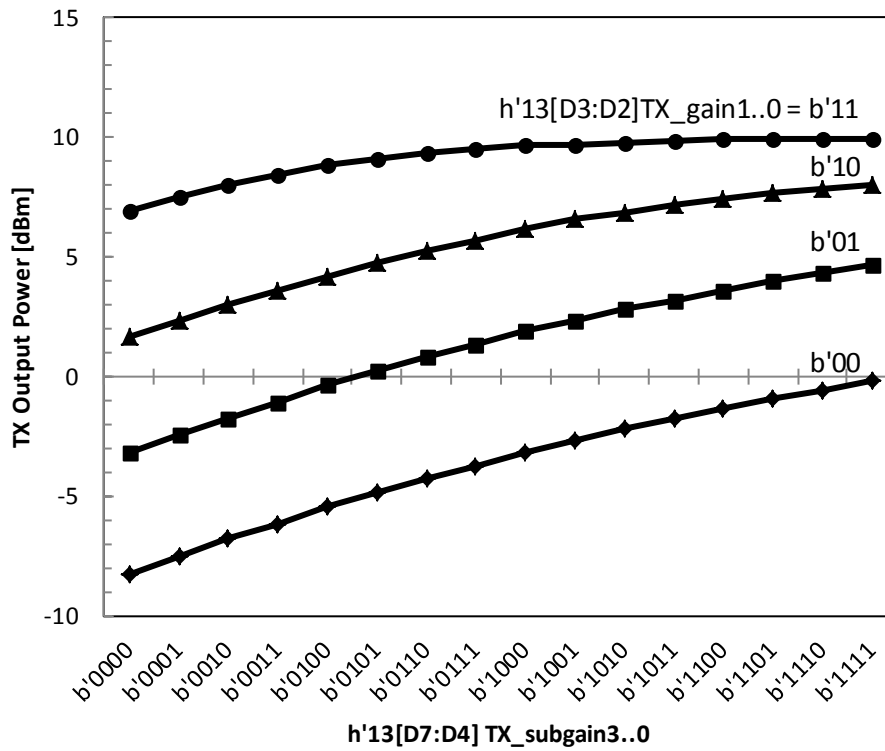


Fig 6-12 Output Level Settings (Reference Value)

6.7 Control System and Mode

6.7.1 Control System and Mode Abstract

Table 6-36 Control System and Mode Abstracts

Item	Mode / Function / pins
Way of Control	external pins, serial data control
External Pin	RESET pin, ENB pin
Control Method	SPI (Single Read/Write, Burst Read/Write), EEPROM
Control Mode	Normal / User Test

6.7.2 SPI Mode

MCU and TC32306FTG are connected by SPI lines and MCU controls this IC.

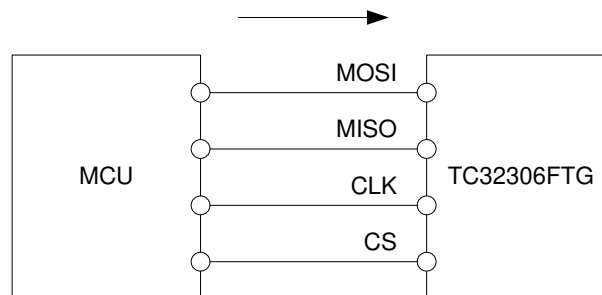


Fig 6-13 Conceptual Connection of SPI Control

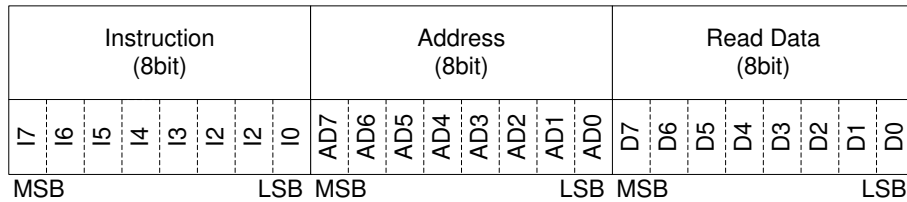
In SPI Mode, TC32306FTG is available Single Read/Write and Burst Read/Write. These are selected from SPI instruction data.

**Table 6-37 Single Read/Write and Burst Read/Write**

Function	Explanation
Single Read/Write	To read and write only specified address register data. It is available for accessing to single or non-continuous address registers.
Burst Read/Write	To read and write in order from the specified address register data. It is available for accessing to continuous address registers. To specify the start address only causes to shorten the read/write time.

**6.7.3 SPI Control Data Format**

SPI control data format of TC32306FTG is constructed by instruction (8 bit), address (8 bit) and data (8 bit).



**Fig 6-14 SPI Control Data Format**

In SPI Mode, Single / Burst, Write / Read and Confirmation of written data are set by instruction data. Enter each SPI control data sequentially from most significant bit (MSB).

**Table 6-38 Type of SPI Instructions and Settings**

SPI Control		I7	I6	I5	I4	I3	I2	I1	I0
Single Read/Write	Write	0	0	0	0	X	1	1	0
	Read	0	0	0	0	X	1	1	1
Burst Read/Write	Write	0	0	0	0	X	0	1	0
	Read	0	0	0	0	X	0	1	1
	Confirmation of written data	0	0	0	0	X	1	0	1
Stop SPI Function		Except above data							

\* x: 0 or 1

\* Stop SPI Function: After entering SPI instruction data, subsequent data input will be invalid. To enable the input data again, enter SPI instruction data correctly after CS pin is set to be "H" once.

6.7.4 SPI Single Read/Write

(1) Write

Set the single Read/Write (Write) data pattern to the instruction area. Set to register address to the next 8 bit, then register data to after next 8 bit. To write other address registers' data continuously, repeat above routine. After input of 24 bit data (Instruction, address and data), the register value is updated. The register data from MOSI pin is written when CS pin is "L" and CLK signal is at the rising edge.

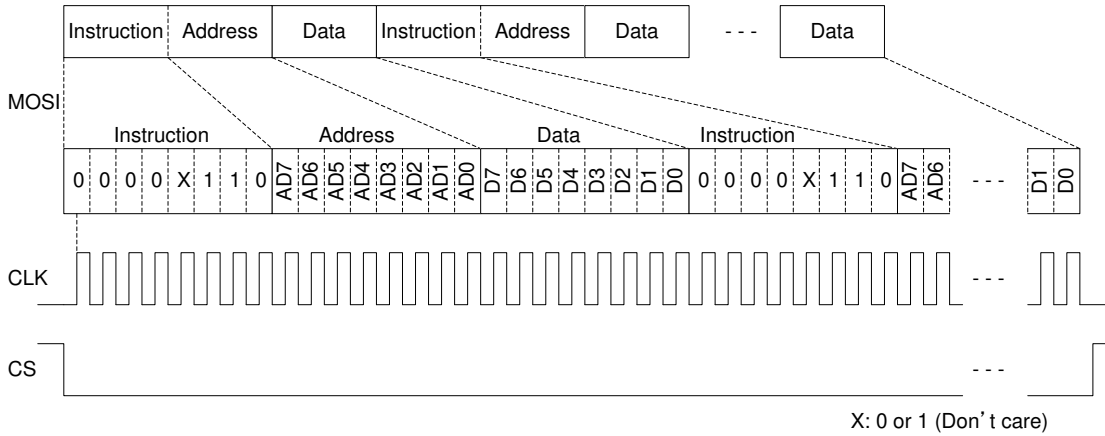


Fig 6-15 Write Format (SPI Single Read/Write)

(2) Read

Set the single Read/Write (Read) data pattern to the instruction area. Set to register address to the next 8 bit to read that data. After input the address, MISO pin outputs 8 bit data from the specified register. After output that 8 bit data, repeat above routine to read other address data continuously. During data read from MISO pin, MOSI pin does not accept input data. MISO pin outputs the register data when CS pin is "L" and CLK signal is at the falling edge.

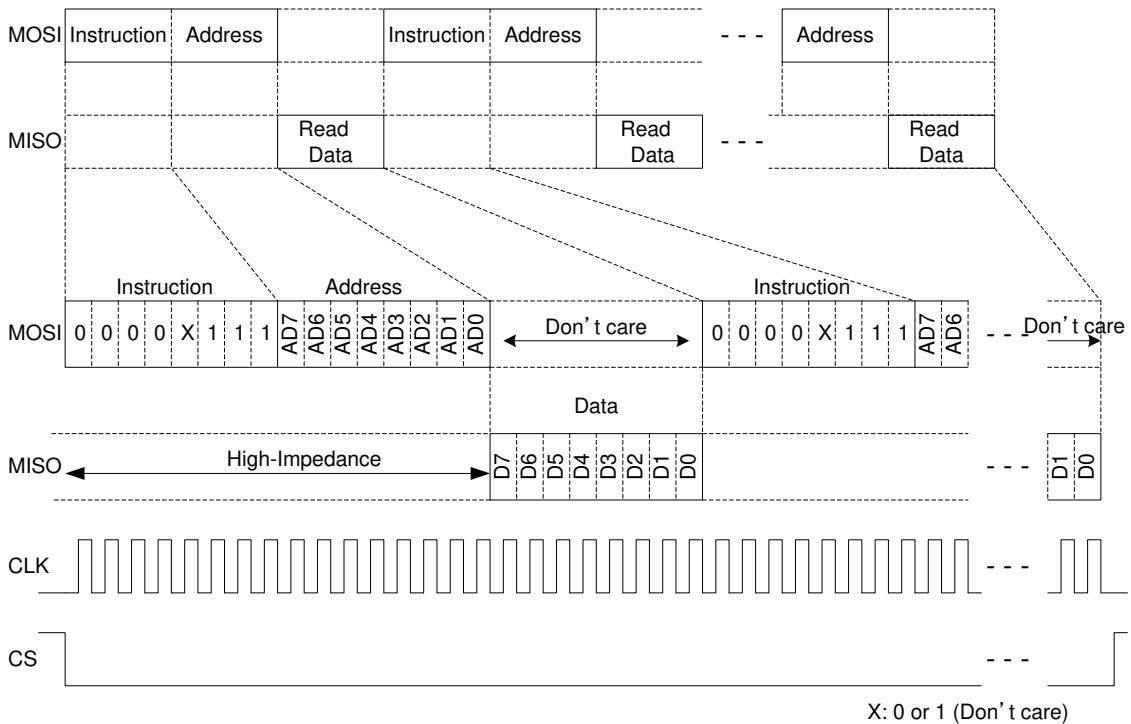


Fig 6-16 Read Format (SPI Single Read/Write)

6.7.5 SPI Burst Read/Write

(1) Write

This function continuously writes data to the order from the specified address. Set the burst Read/Write (Write) data pattern to the instruction area. Set to start register address to the next 8 bit, then register data to after next 8 bit. After that, repeat sequentially to set only 8 bit register data to the order. After every input of 8 bit data, the register value is updated. The register data from MOSI pin is written when CS pin is “L” and CLK signal is at the rising edge. Not to write unnecessary data to the following address, set CS pin to be “H” as soon as possible after writing all of the data.

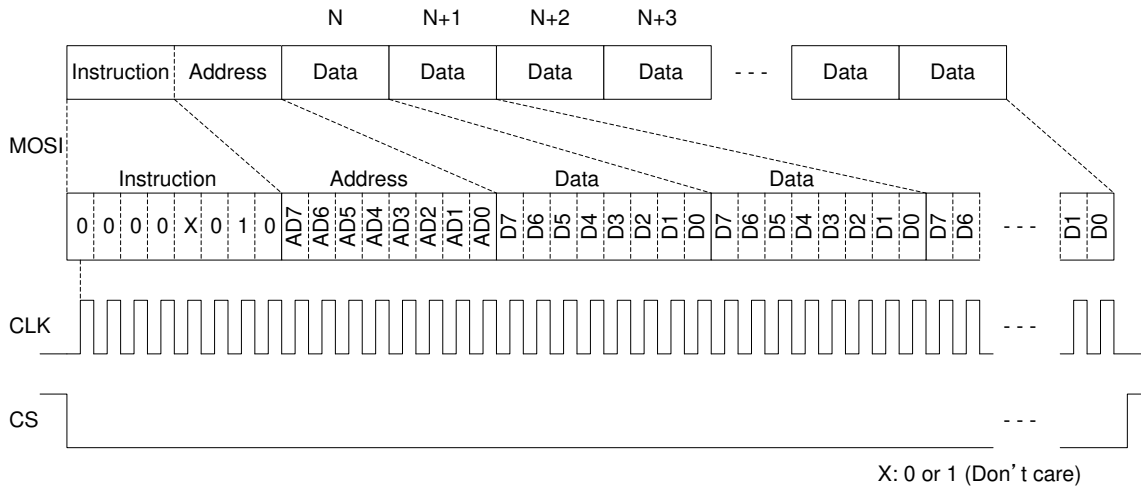


Fig 6-17 Write Format (SPI Burst Read/Write)

Notice: To change the instruction or start register address, once set CS pin to be “H” in the burst Read/Write.

(2) Read

This function continuously reads data to the order from the specified address. Set the burst Read/Write (Read) data pattern to the instruction area. Set to start register address to the next 8 bit to read that data. After input the address, MISO pin outputs 8 bit data from the specified register. To stop or finish reading data, set CS pin to be “H”.

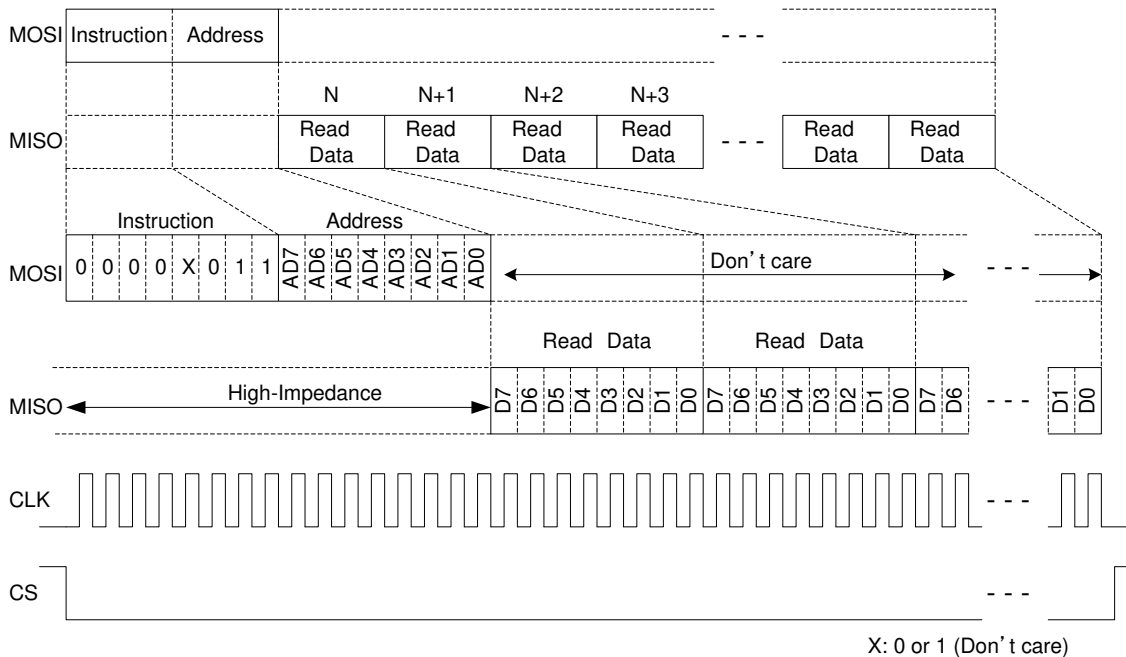


Fig 6-18 Read Format (SPI Burst Read/Write)

Notice:

- After reading data reaches the last register address (h'FF), TC32306FTG continues to output data from the beginning address (h'00).
- During outputting register value from MISO pin, MOSI pin does not accept input data.
- To change the instruction or start register address, once set CS pin to be "H" in the Burst Read/Write.

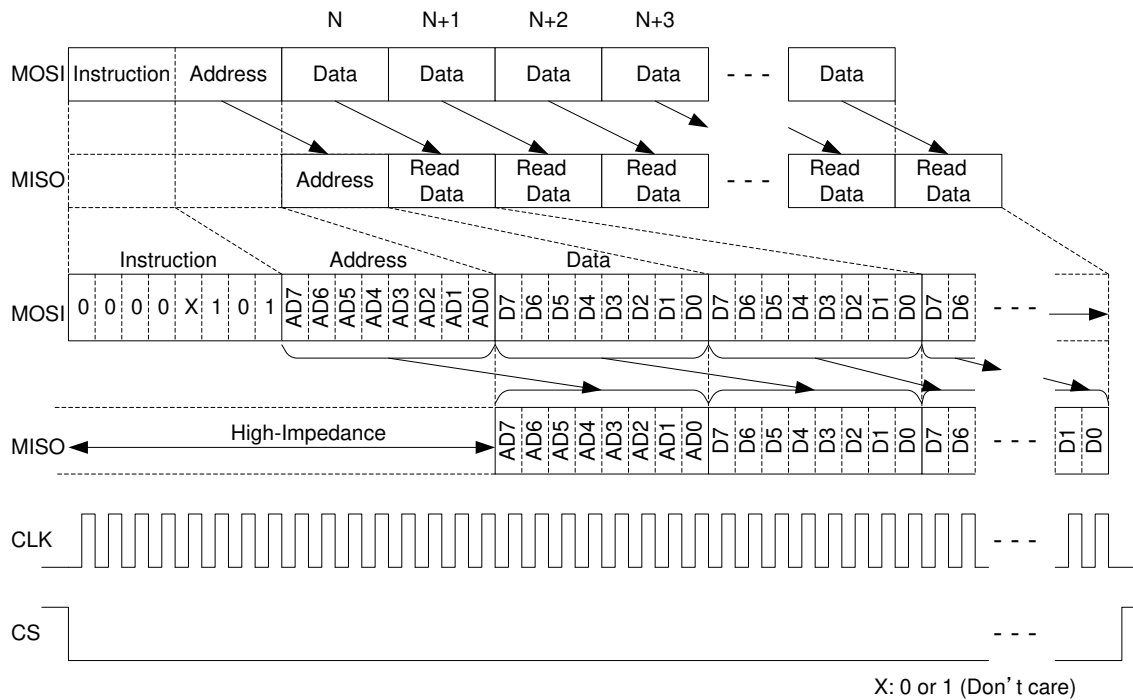
(3) Confirmation of written data

This function continuously writes data to the order from the specified address and confirms the written data.

Notice:

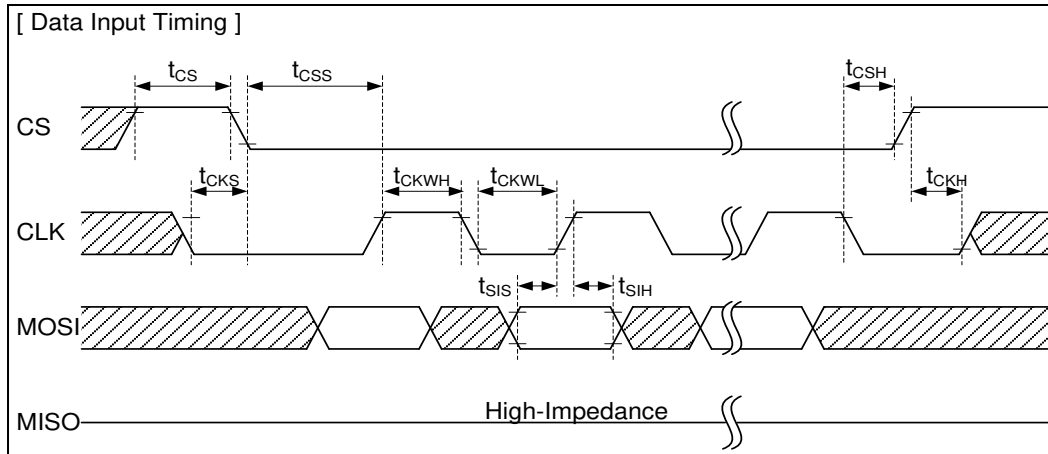
- This function is not intended to read the data inside the register. Use Single/Burst Read mode to confirm the data inside the register.

Set the Burst Read/Write (Confirmation of written data) data pattern to the register instruction area. Set same as the Burst Read/Write (Write) and input. The input data is output from MISO pin with 8 bit delay after the address area. The data writing is valid till the rising edge of CS signal, and the data reading is finished at the rising edge of CS signal.

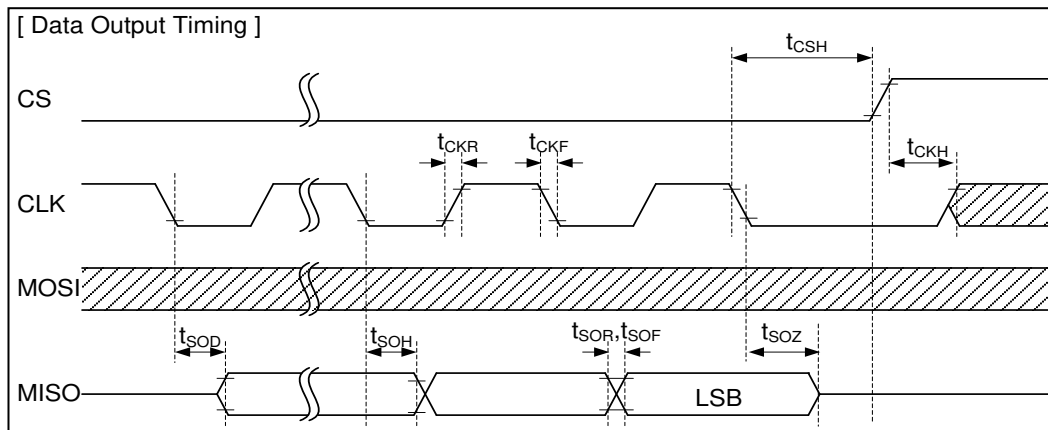


**Fig 6-19 Confirmation of Written Data Format (SPI Burst Read Write)**  
 (The number of write data is same as that of read data.)

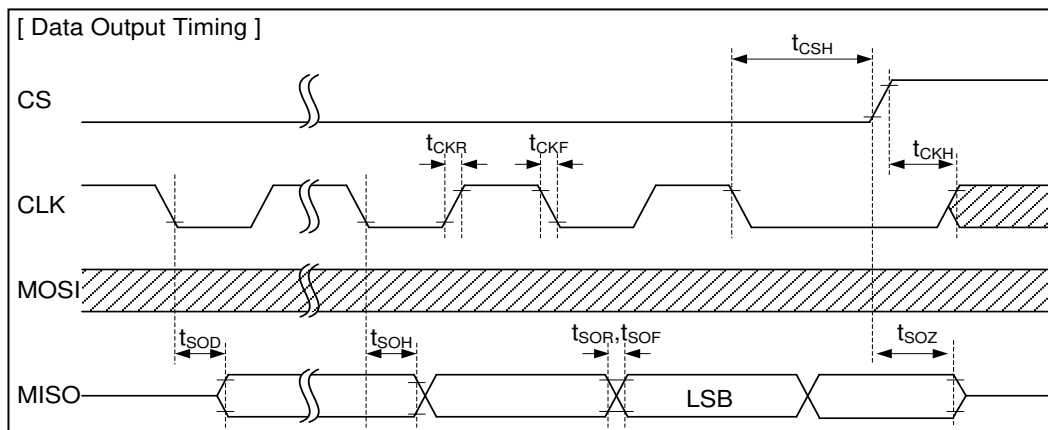
**6.7.6 SPI Mode Signal Timings**



**Fig 6-20 Example of SPI Write Timing**



**Fig 6-21 Example of SPI Read Timing (Single Read/Write)**



**Fig 6-22 Example of SPI Read Timing (Burst Read/Write)**

The timing chart for explaining the operation of features and may have been simplified.

Table 6-39 SPI Mode Timing

Item	Code	Min	Typ.	Max	Unit
CLK Frequency	$f_{ck}$	-	-	3.0	MHz
CLK "H" Time	$t_{CKWH}$	100	-	-	ns
CLK "L" Time	$t_{CKWL}$	100	-	-	ns
CLK Setup Time	$t_{CKS}$	40	-	-	ns
CLK Hold Time	$t_{CKH}$	40	-	-	ns
CLK Rising Time	$t_{CKR}$	-	-	10	ns
CLK Falling Time	$t_{CKF}$	-	-	10	ns
CS "H" Time	$t_{CS}$	40	-	-	ns
CS Setup Time	$t_{CSS}$	30	-	-	ns
CS Hold Time	$t_{CSH}$	100	-	-	ns
MOSI Setup Time	$t_{SIS}$	30	-	-	ns
MOSI Hold Time	$t_{SIH}$	30	-	-	ns
MISO Delay Time *	$t_{SOD}$	-	-	100	ns
MISO Hold Time *	$t_{SOH}$	-	-	100	ns
MISO Disable Time *	$t_{SOZ}$	-	-	30	ns
MISO Rising Time *	$t_{SOR}$	-	-	50	ns
MISO Falling Time *	$t_{SOF}$	-	-	50	ns

\* Time values of MISO are derived at the load capacitance of 10pF.

6.7.7 EEPROM Mode

EEPROM and MCU, connect via TC32306FTG. This IC is controlled by the register data of EEPROM. Select up to 8 configuration that are made as registers' modules from "h'0A" to "h'1C", depending on the size of EEPROM. In this mode, use of pins and external connections are different from those of SPI Mode. For example, TX\_SW / RX\_SW / ENB pin are used to select configuration of EEPROM. Must not set MODE2 pin to "L" (= for SPI Mode) at the circuit connection for EEPROM Mode.

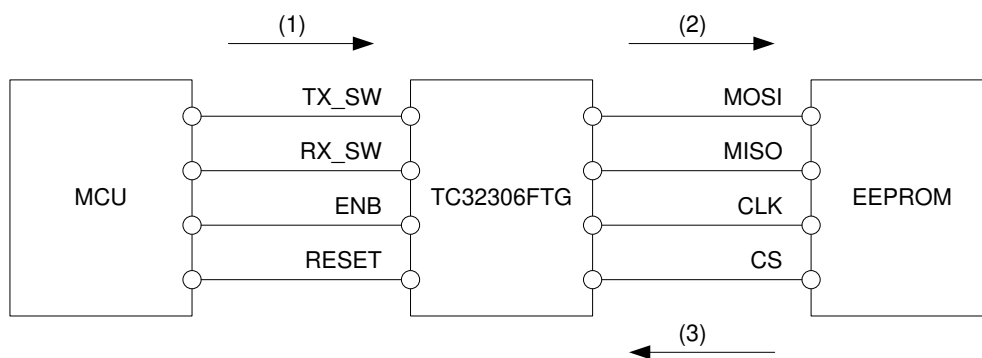


Fig 6-23 Conceptual Connection MCU, EEPROM and TC32306FTG

- In advance, write registers' values to each configuration data area of EEPROM.
- MCU commands this IC for selecting configuration data area of EEPROM. (1)
- This IC read a configuration data from EEPROM by SPI lines at the rising edge of RESET pin signal. (2)
- This IC is operated depending on EEPROM data. (3)

- Majority logic

In EEPROM Mode, the majority logic is adopted to reduce the probability of unexpected operation due to data corruption of EEPROM. Each configuration has 3 sets of data area in EEPROM, and this IC read them. Then the data values are decided by a majority vote of each bit. In advance, three same data should be written in each configuration to the specified address of EEPROM. The relation

between EEPROM address and the register address of this IC are shown in Table 6-40.

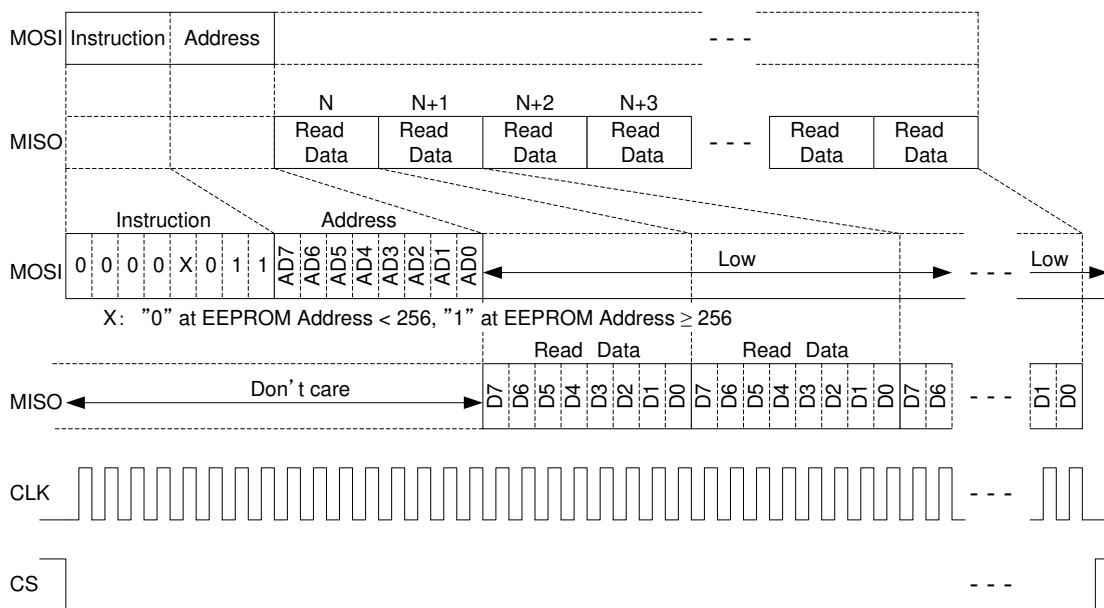
**6.7.8 EEPROM Control Data Format**

In EEPROM Mode, TC32306FTG operates Burst Read for the EEPROM. The configuration is selected by the combination of TX\_SW pin, RX\_SW pin and ENB pin.

Notice:

- The memory size of 1 k, 2 k and 4 k bit are available for EEPROM. The configuration of 2,4 and 8 are available respectively.
- Select EEPROM adapted for Burst Read.
- The serial clock (= CLK pin output signal) to read EEPROM data generated by the inner oscillator of TC32306FTG is frequency of about 2 MHz. Select EEPROM adapted for that frequency.

- (1) Set the configuration with TX\_SW pin, RX\_SW pin and ENB pin from MCU. Then set RESET pin is "H". (= The reset is released.) The configuration change is available all the time, however the operation is valid at the timing of change of RESET pin from "L" to "H".
- (2) TC32306FTG operates Burst Read to the first set data area of EEPROM through SPI lines. Burst Read operates from the start address till the end address of the configuration data sequentially. After the reading, this IC starts to Run as the configuration of first set data area.
- (3) This IC operates Burst Read to the second and third set data area continuously, then the register setting is fixed by majority logic.
- (4) This IC runs depending on the register:h'0A[D6]ACT.



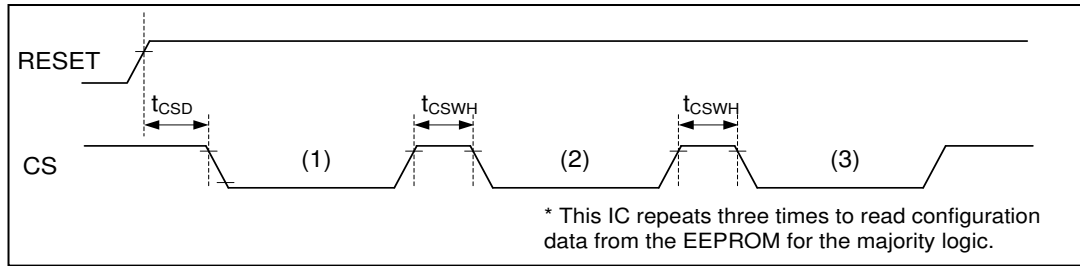
**Fig 6-24 Read Format from EEPROM (EEPROM Mode)**



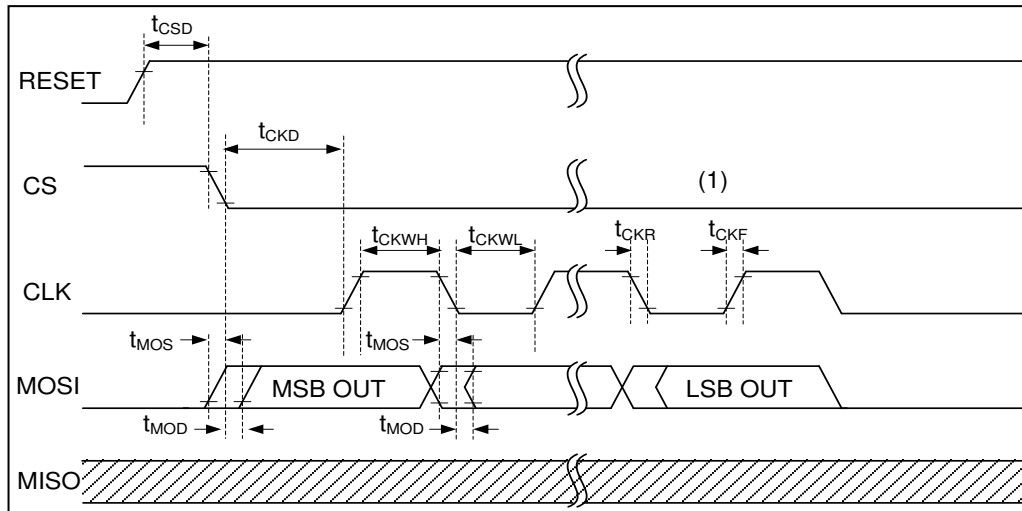
**Table 6-40 Relation between EEPROM and TC32306FTG Register Address**

Config.	Pin Name			Read Order	EEPROM Address									EEPROM Size											
	RX_SW	TX_SW	ENB		0	1	2	3	...	15	16	17	18	1k-bit(128words)	2k-bit(256words)	4k-bit(512words)									
Config.1	0	0	0	1 <sup>st</sup>	0	1	2	3	...	15	16	17	18				1k-bit(128words)	2k-bit(256words)	4k-bit(512words)						
				2 <sup>nd</sup>	20	21	21	23	...	35	36	37	38												
				3 <sup>rd</sup>	40	41	42	43	...	55	56	57	58												
Config.2	0	0	1	1 <sup>st</sup>	64	65	66	67	...	79	80	81	82	1k-bit(128words)	2k-bit(256words)	4k-bit(512words)									
				2 <sup>nd</sup>	84	85	86	87	...	99	100	101	102												
				3 <sup>rd</sup>	104	105	106	107	...	119	120	121	122												
Config.3	0	1	0	1 <sup>st</sup>	128	129	130	131	...	143	144	145	146							1k-bit(128words)	2k-bit(256words)	4k-bit(512words)			
				2 <sup>nd</sup>	148	149	150	151	...	163	164	165	166												
				3 <sup>rd</sup>	168	169	170	171	...	183	184	185	186												
Config.4	0	1	1	1 <sup>st</sup>	192	193	194	195	...	207	208	209	210										1k-bit(128words)	2k-bit(256words)	4k-bit(512words)
				2 <sup>nd</sup>	212	213	214	215	...	227	228	229	230												
				3 <sup>rd</sup>	232	233	234	235	...	247	248	249	250												
Config.5	1	0	0	1 <sup>st</sup>	256	257	258	259	...	271	272	273	274				1k-bit(128words)	2k-bit(256words)	4k-bit(512words)						
				2 <sup>nd</sup>	276	277	278	279	...	291	292	293	294												
				3 <sup>rd</sup>	296	297	298	299	...	311	312	313	314												
Config.6	1	0	1	1 <sup>st</sup>	320	321	322	323	...	335	336	337	338	1k-bit(128words)	2k-bit(256words)	4k-bit(512words)									
				2 <sup>nd</sup>	340	341	342	343	...	355	356	357	358												
				3 <sup>rd</sup>	360	361	362	363	...	375	376	377	378												
Config.7	1	1	0	1 <sup>st</sup>	384	385	386	387	...	399	400	401	402							1k-bit(128words)	2k-bit(256words)	4k-bit(512words)			
				2 <sup>nd</sup>	404	405	406	407	...	419	420	421	422												
				3 <sup>rd</sup>	424	425	426	427	...	439	440	441	442												
Config.8	1	1	1	1 <sup>st</sup>	448	449	450	451	...	463	464	465	466										1k-bit(128words)	2k-bit(256words)	4k-bit(512words)
				2 <sup>nd</sup>	468	469	470	471	...	483	484	485	486												
				3 <sup>rd</sup>	488	489	490	491	...	503	504	505	506												
TC32306FTG Register Address					h'0A	h'0B	h'0C	h'0D	...	h'19	h'1A	h'1B	h'1C												

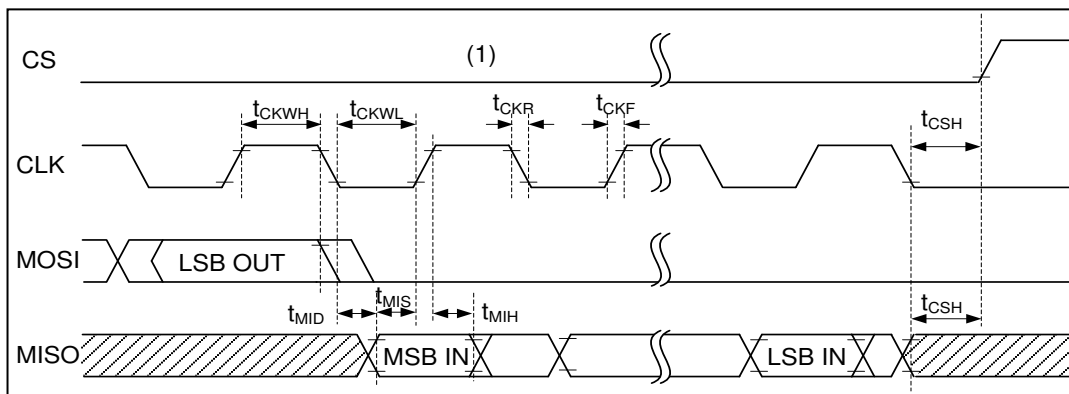
**6.7.9 EEPROM Mode Signal Timings**



**Fig 6-25 Example of EEPROM Control Timing**



**Fig 6-26 Example of EEPROM Output Timing**



**Fig 6-27 Example of EEPROM Input Timing**

The timing chart for explaining the operation of features and may have been simplified.

Table 6-41 EEPROM Mode Timing (COM\_VDD = 3.0 - 5.5V)

Item	Code	Min	Typ.	Max	Unit
CLK Frequency *	$f_{ck}$	1.0	2.0	3.0	MHz
CLK "H" Time *	$t_{CKWH}$	125	-	-	ns
CLK "L" Time *	$t_{CKWL}$	125	-	-	ns
CLK Rising Time *	$t_{CKR}$	-	-	50	ns
CLK Falling Time *	$t_{CKF}$	-	-	50	ns
CLK Delay Time *	$t_{CKD}$	150	-	-	ns
CS Delay Time *	$t_{CSD}$	400	-	-	ns
CS "H" Time *	$t_{CSWH}$	500	-	-	ns
CS Hold Time *	$t_{CSH}$	100	-	-	ns
MOSI Preceding Time *	$t_{MOS}$	-	-	50	ns
MOSI Delay Time *	$t_{MOD}$	-	-	50	ns
MISO Delay Time	$t_{MID}$	-	-	90	ns
MISO Setup Time	$t_{MIS}$	-	-	10	ns
MISO Hold Time	$t_{MIH}$	-	-	100	ns

\* Time values of CLK, MISO and MOSI are derived at the load capacitance of 10pF.

Table 6-42 EEPROM Mode Timing (COM\_VDD = 2.5 - 3.0V)

Item	Code	Min	Typ.	Max	Unit
CLK Frequency *	$f_{ck}$	1.0	2.0	3.0	MHz
CLK "H" Time *	$t_{CKWH}$	150	-	-	ns
CLK "L" Time *	$t_{CKWL}$	150	-	-	ns
CLK Rising Time *	$t_{CKR}$	-	-	50	ns
CLK Falling Time *	$t_{CKF}$	-	-	50	ns
CLK Delay Time *	$t_{CKD}$	150	-	-	ns
CS Delay Time *	$t_{CSD}$	400	-	-	ns
CS "H" Time *	$t_{CSWH}$	500	-	-	ns
CS Hold Time *	$t_{CSH}$	100	-	-	ns
MOSI Preceding Time *	$t_{MOS}$	-	-	50	ns
MOSI Delay Time *	$t_{MOD}$	-	-	50	ns
MISO Delay Time	$t_{MID}$	-	-	120	ns
MISO Setup Time	$t_{MIS}$	-	-	10	ns
MISO Hold Time	$t_{MIH}$	-	-	100	ns

\* Time values of CLK, MISO and MOSI are derived at the load capacitance of 10pF.

## 6.8 User Test

This is a mode to monitor internal digital signal for design, development, manufacturing or shipping inspection. Set MODE1 pin to be "H" and/or the register: USER\_TEST bit is "1" then TC32306FTG moves to User Test. In User Test, various internal signals for the adjustment are converted to analog and are output from DET\_TMONI3 pin or DET\_TMONI4 pin by the setting of register. The way of setting register of SPI Mode is different from that of EEPROM Mode.

**Table 6-43 Inner Signal Monitor (DET\_TMONI3 Pin)**

Status	h'10[D3] USER_TEST	h'15[D6] MONI3_SEL2	h'15[D5] MONI3_SEL1	h'15[D4] MONI3_SEL0	Signal
	MODE1 Pin				
Battery Saving	X	X	X	X	"Z"
Run / Standby	0 and L	X	X	X	"L" Output
Run / Standby	1 or H	0	0	0	BRF_out
Run / Standby	1 or H	0	0	1	BRF_in
Run / Standby	1 or H	0	1	0	Data_compREF
Run / Standby	1 or H	0	1	1	DRSSI_out
Run / Standby	1 or H	1	0	0	Noise_out
Run / Standby	1 or H	1	0	1	Peak_out
Run / Standby	1 or H	1	1	0	"L" Output
Run / Standby	1 or H	1	1	1	"L" Output

X: Don't care

**Table 6-44 Inner Signal Monitor (DET\_TMONI4 Pin)**

Status	h'10[D3] USER_TEST	h'15[D6] MONI3_SEL2	h'15[D5] MONI3_SEL1	h'15[D4] MONI3_SEL0	Signal
	MODE1 Pin				
Battery Saving	X	X	X	X	"Z"
Run / Standby	0 and L	X	X	X	"L" Output
Run / Standby	1 or H	0	0	0	Data_compREF
Run / Standby	1 or H	0	0	1	BRF_in
Run / Standby	1 or H	0	1	0	BRF_out
Run / Standby	1 or H	0	1	1	DRSSI_out
Run / Standby	1 or H	1	0	0	Noise_out
Run / Standby	1 or H	1	0	1	Peak_out
Run / Standby	1 or H	1	1	0	"L" Output
Run / Standby	1 or H	1	1	1	"L" Output

X: Don't care

**Table 6-45 Internal Signals Available in User Test**

Signal	Explanation of Signal
BRF_out	Output of Bit Rate Filter
BRF_in	Input of Bit Rate Filter (FSK / ASK Demodulation LPF Output)
Data_compREF	Output of Data Comparator Reference Voltage
DRSSI_out	RSSI Output (Digital RSSI Output Converted to Analog)
Noise_out	Noise Detection Voltage Output of Noise Detector
Peak_out	Peak Hold Voltage Output of Peak Hold Circuit

Notice:

-Use User Test only for development or evaluation, not for actual use (consumer products). Sensitivity of this IC may be worse by unexpected noise from monitor pins.

(1) Register settings in SPI Mode

In SPI User Test Mode, set them as same as normal SPI Mode.

(2) Register settings in EEPROM Mode

In EEPROM User Test Mode, the register can be set by SPI with connecting EEPROM. In EEPROM Mode, TC32306FTG as a master reads the register data in EEPROM through SPI lines. But in EEPROM User Test Mode, this IC as a slave accepts input from SPI lines. In the case, instructions in SPI format are different from those of SPI Mode. (The MBS "I7" in the instruction is changed from 0 to 1.)

**Table 6-46 Type of EEPROM Instructions in User Test and Settings**

EEPROM Control		I7	I6	I5	I4	I3	I2	I1	I0
Single Read/Write	Write	1	0	0	0	x	1	1	0
	Read	1	0	0	0	x	1	1	1
Burst Read/Write	Write	1	0	0	0	x	0	1	0
	Read	1	0	0	0	x	0	1	1
	Confirmation of written data	1	0	0	0	x	1	0	1
SPI Function Stop		Except above data							

\* x: 0 or 1

\* SPI Function Stop: After writing SPI instruction data, subsequent data input will be disabled. Again, to enable the input data, enter SPI instruction data correctly after CS pin is set to be "H" once.

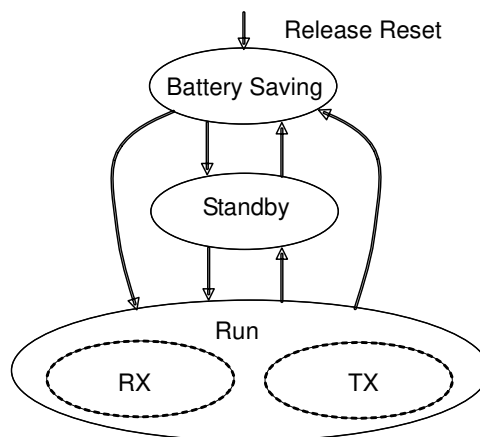
Notice:

-In User Test, must not set MODE2 pin to "L" (= for SPI Mode) to avoid output collision between TC32306FTG and EEPROM.

-Take care of chattering to enter User Test by MODE1 pin.

**6.9 Status Transition**

The Status Transition is carried out after the register value is written. The status after the transition depends on the register settings. Each status can be moved as following figure by the register settings.



**Fig 6-28 Status and Status Transition**

Table 6-47 Status Control in SPI Mode

External Pin ENB Pin (Only in SPI Mode)	Register Settings		Operations of Function Blocks			Status
	h'0A[D7] ENB	h'0A[D6] ACT	SPI	Reference Clock / Internal Regulator	Others	
L	X	X	ON	OFF	OFF	Battery Saving
H	0	X	ON	OFF	OFF	
H	1	0	ON	ON	OFF	Standby
H	1	1	ON	ON	ON	Run

X: Don't care

### 6.9.1 Power On → Battery Saving → Run

TC32306FTG will enter the setup sequence after Power On, releasing reset and register settings. In the setup sequence, this IC starts to setup and operate internal function blocks simultaneously.

#### - Delay Setting

The setup sequence will start after about 105.5 μs (Initial value) from the output level of Reference Clock Oscillator is over a certain level. Delay is selected by the register setting. Set it with considering Reference Clock oscillation stabilization time. The start timing of Delay is whichever later that output level of Reference Clock oscillator will be over a certain level or that TC32306FTG status will move to Run by the register settings.

Table 6-48 Delay Time Setting of the Setup Sequence Start

h'0D[D7] Delay_en	h'0D[D6] Delay2	h'0D[D5] Delay1	h'0D[D4] Delay0	Delay time until the setup sequence starts.
0	X	X	X	105.5μs
1	0	0	0	105.5μs
1	0	0	1	211.1μs
1	0	1	0	316.5μs
1	0	1	1	527.5μs
1	1	0	0	949.5μs
1	Except Above			105.5μs

X: Don't care

#### Notice:

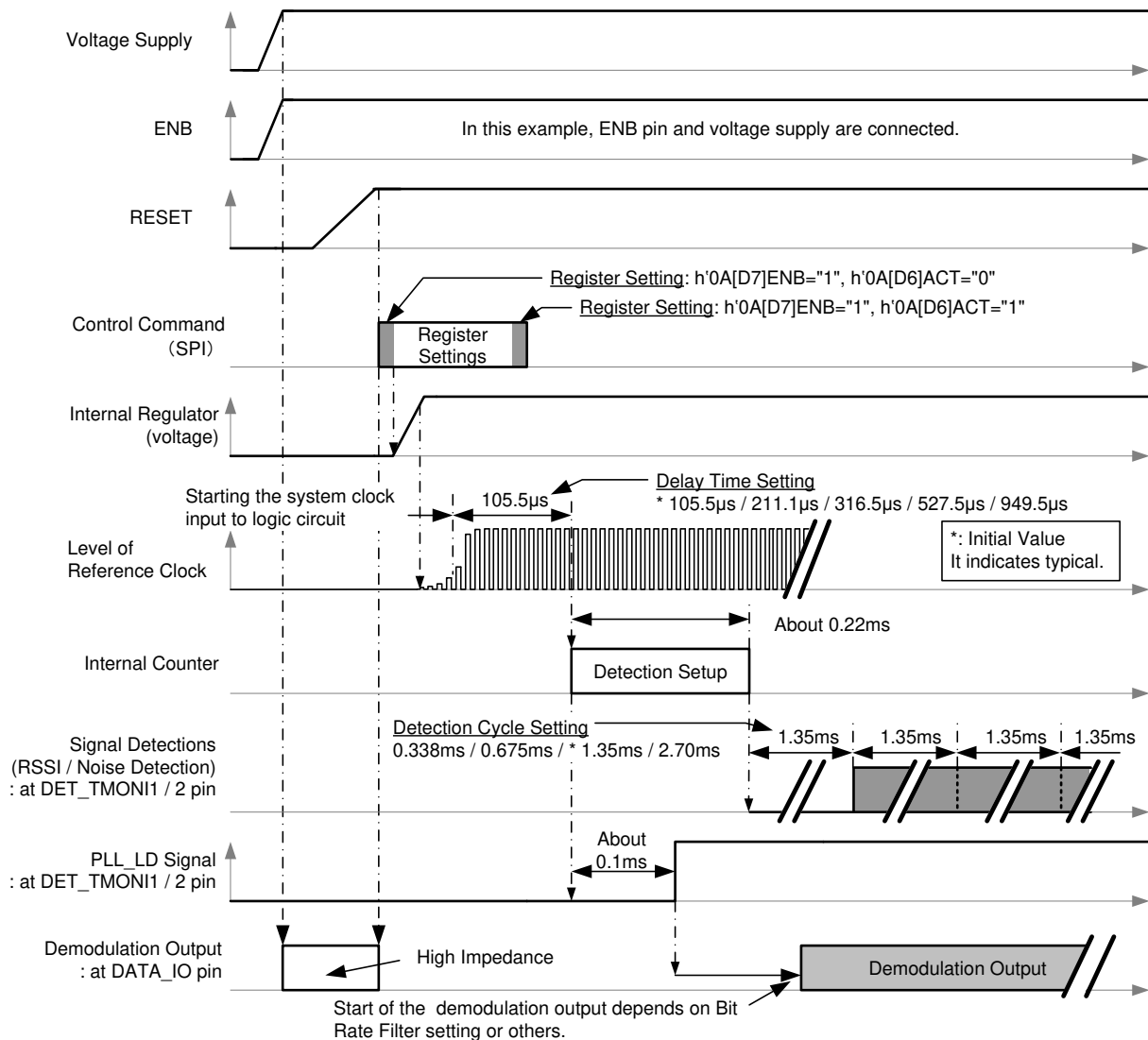
- Delay is derived from 30.32MHz Reference Clock Frequency.
- In SPI Mode, the initial register setting is h'0D[D7]Delay\_en = "0". Delay is always about 105.5 μs.
- In SPI Mode, to enter the setup sequence with setting Delay time, move TC32306FTG status from Battery Saving/Standby to Run after the register setting.
- If the register of Delay time is set in Run status, the value of Delay time is valid at the next status moving form Battery Saving/Standby to Run.
- In EEPROM Mode (Except User Test), this IC enters the setup sequence with the setting Delay time because this IC status moves from Standby to Run after the register setting.
- Beware the relationship between supply voltage and reset, when to utilize the power on reset during boot sequence. (See the notice in 6.3.1)

#### - Example of Boot Sequence 1: RX (in SPI Mode)

The following Fig 6-29 shows status transition from Battery Saving/Standby to RX-Run.

1. Power On, then reset is released after the voltage supply becomes stable.
2. Set registers if necessary with Standby (ENB pin = "H", register:h'0A[D7]ENB = "1", register:h'0A[D6]ACT = "0"). Then internal regulators and Reference Clock Oscillator start to operate.
3. After the registers settings, set register:h'0A and move to Run.  
(ENB pin = "H", register:h'0A[D7]ENB = "1", register:h'0A[D6]ACT = "1")

4. The setup sequence and operation of internal function blocks will start after setting Delay time from the output level of Reference Clock Oscillator is over a certain level.
5. Signal Detections (RSSI & Noise Detection) with operating cycle (Initial value: 1.35 ms) set by register will start after the internal setup (about 0.22 ms) is finished.
6. Start timing of the demodulation output (from DATA\_IO pin) is varied with Bit Rate Filter setting, data rate or other register settings. Preamble Detection output starts after the demodulation output is obtained.



**Fig 6-29 Example of Boot Sequence Timing Chart (SPI Mode / RX)**

\* The example of timing chart may be omitted or simplified for explanatory purposes.

**Notice:**

- To shorten the boot sequence of this IC, there is other way to be able to moving to Run without going through Standby. In this method, firstly set ENB pin = "H", h'0A [D7] ENB = "1" and h'0A [D6] ACT = "1", then set other registers. But in this way, if the internal setup and the register setting are overlapped each other, unexpected operation may occur. To avoid above, make the SPI speed too fast enough to communicate, or select the previous way as in Fig 6-29.
- Check the relationship between supply voltage and reset, when to utilize the power on reset during boot sequence. (See the notice in 6.3.1)

**- Example of Boot Sequence 2: TX (in SPI Mode)**

The following Fig 6-30 shows status transition from Battery Saving/Standby to TX-Run.

1. Power On, and reset is released after the voltage supply becomes stable.
2. Set registers if necessary with Standby (ENB pin = "H", register:h'0A[D7]ENB = "1", register:h'0A[D6]ACT = "0"). Then internal regulators and Reference Clock Oscillator start to operate.
3. After the registers settings, set register:h'0A and move to Run. (ENB pin = "H", register:h'0A[D7]ENB = "1", register:h'0A[D6]ACT = "1")
4. The setup sequence and operation of internal function blocks will start after setting Delay time from the output level of Reference Clock Oscillator is over a certain level.
5. PLL Block will start after the internal setup (about 0.05 ms). After locking the expected frequency is detected, PLL\_LD signal and Internal LD Signal will be from "L" to "H". PLL lock-up time is approximately 0.05 ms after internal setup is finished. About Internal LD Signal, see section 6.6.5.
6. Input the signal for modulation to DATA\_IO pin. The RF modulated Signal will be transmitted from PA after PLL\_LD signal turns to be "H" immediately, because initial value of register:h'13[D1]PA\_en is "1". It is also possible to set the register:h'13[D1]PA\_en = "0" at the first register setting.

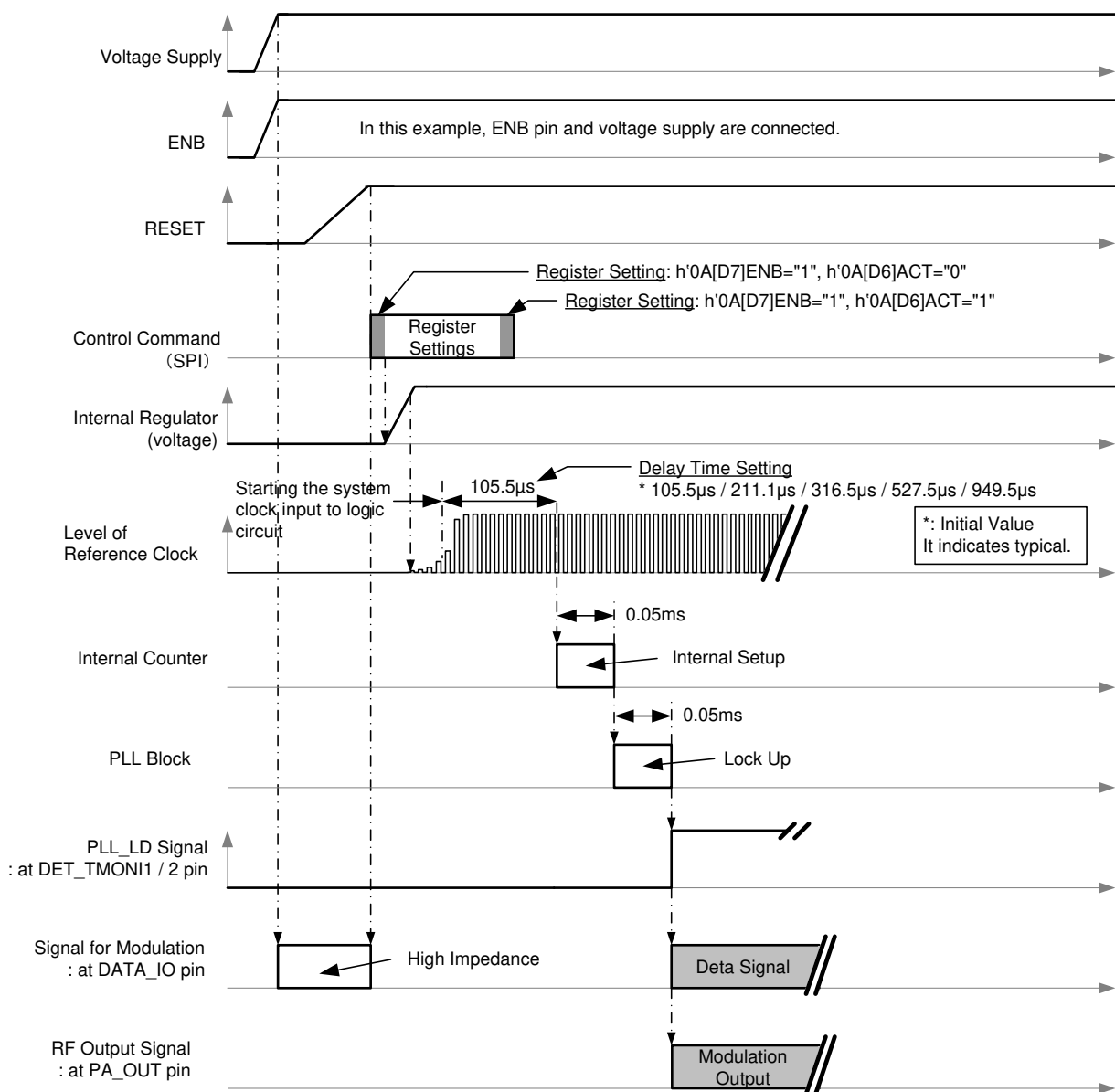


Fig 6-30 Example of Boot Sequence Timing Chart (SPI Mode / TX)

\* The example of timing chart may be omitted or simplified for explanatory purposes.

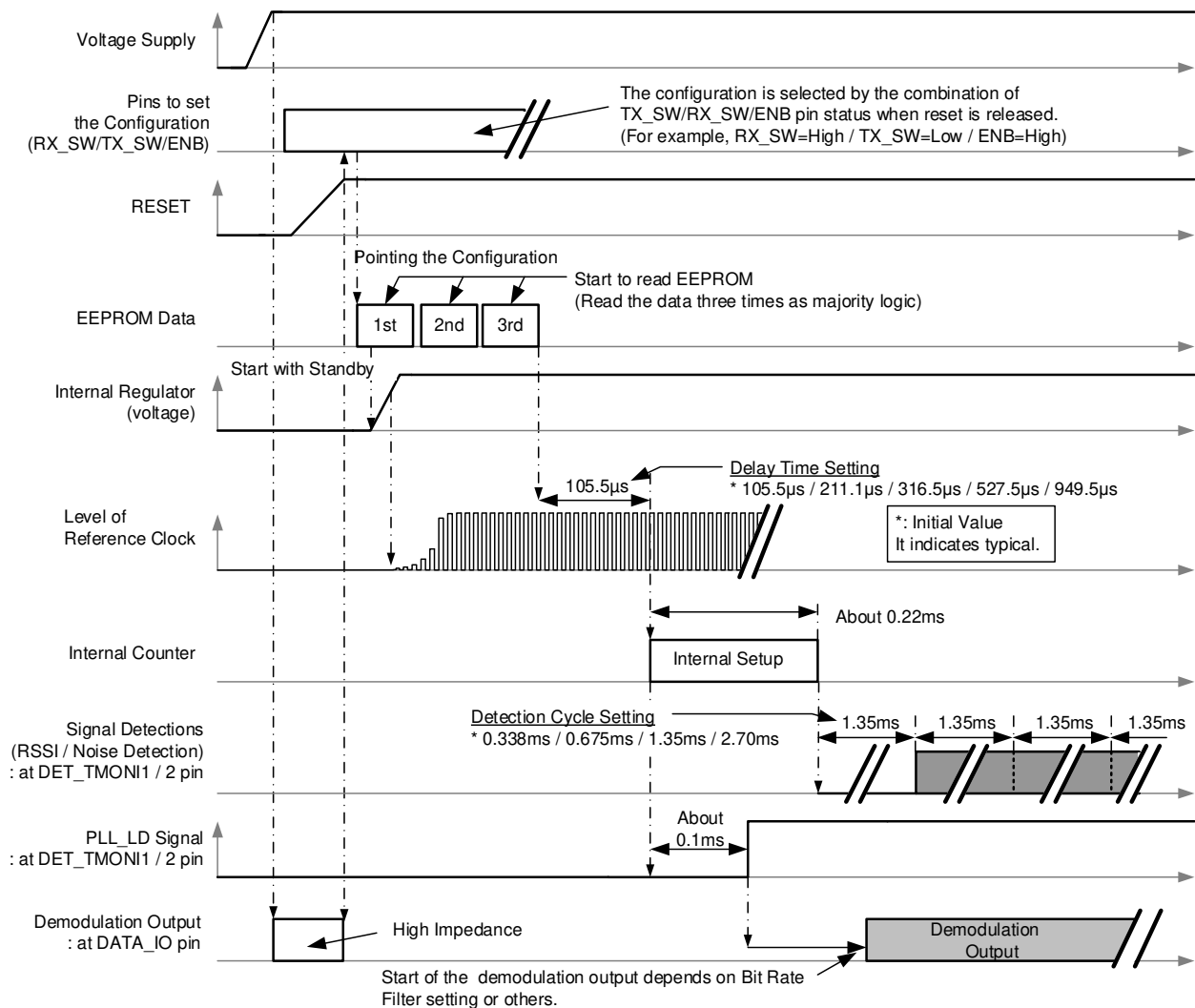


Notice:

- To shorten the boot sequence of this IC, there is other way to be able to moving to Run without going through Standby. In this method, firstly set ENB pin = "H", h'0A [D7] ENB = "1" and h'0A [D6] ACT = "1", then set other registers. But in this way, if the internal setup and the register setting are overlapped each other, unexpected operation may occur. To avoid above, make the SPI speed too fast enough to communicate, or select the previous way as in Fig 6-30.
- In TX duration DATA\_IO pin accepts data input, but that data is not transmitted when status of PA is Disable. Input data is invalid before PA enabling.
- Check the relationship between supply voltage and reset, when to utilize the power on reset during boot sequence. (See the notice in 6.3.1)

- Example of Boot Sequence 3: RX (in EEPROM Mode)

The following Fig 6-31 shows boot sequence of RX in EEPROM Mode.



**Fig 6-31 Example of Boot Sequence Timing Chart (EEPROM Mode / RX)**

\* The example of timing chart may be omitted or simplified for explanatory purposes.

1. Power On, and reset is released after the voltage supply becomes stable.
2. Start to read the register of first set data area of EEPROM sequentially. (It is indicated by the combination of TX\_SW pin, RX\_SW pin and ENB pin.)
3. Start to operate with Standby despite of the value of the register:h'0A[D6]ACT. Internal regulators and Reference Clock Oscillator start to operate.
4. Read the second and third set data area continuously then the register setting is fixed.
5. Continue to operate depending on the setting of the register:h'0A[D6]ACT.

6. From either slower timing which after reading the third register setup, or after the output level of Reference Clock Oscillator is over a certain level, the setup sequence and operation of internal function blocks will start after setting Delay time.
7. Signal Detections (RSSI & Noise Detection) with operating cycle (Initial value: 1.35 ms) set by register will start after the internal setup (about 0.22 ms) is finished.
8. Start timing of the demodulation output (from DATA\_IO pin) is varied with Bit Rate Filter setting, data rate or other register settings. Preamble Detection output starts after the demodulation output is obtained.

Notice:

- Set the configuration during the stable voltage supply.
- Check the relationship between supply voltage and reset, when to utilize the power on reset during boot sequence. (See the notice in 6.3.1)

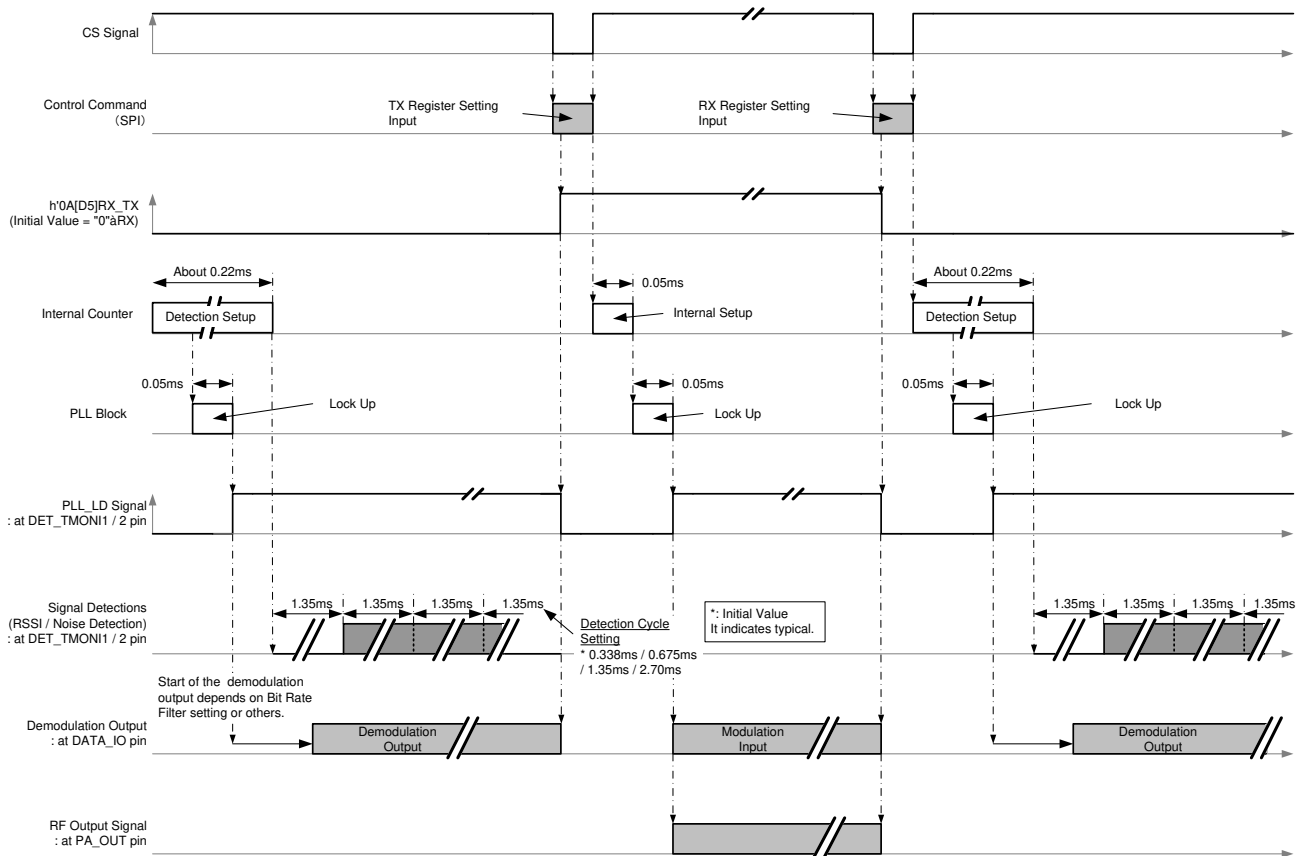
**6.9.2 Transition in Run Status (RX → TX → RX)**

Transition of RX/TX each other in Run Status by setting the register: h'0A[D5]RX\_TX.

Example: RX → TX → RX (SPI Mode)

The example of the transition “RX → TX → RX” in SPI Mode is shown as Fig 6-32.

1. At the end of RX, set the register: h'0A[D5]RX\_TX = "1" then TC32306FTG changes to TX.
2. After finishing all register settings for TX and CS pin is set to "H", this IC starts the setup sequence and PLL lock-up, then this IC is operated with setting registers.
3. At the end of TX, set the register: h'0A[D5]RX\_TX = "0" then this IC changes to RX. After finishing all register settings for RX and CS pin is set to "H", this IC starts the setup sequence and PLL lock-up, then this IC is operated with setting registers.



**Fig 6-32 Example of Timing Chart (RX → TX → RX in SPI Mode)**

Notice:

- In transition between TX and RX through Battery Saving Status, it takes more time to start the next operation because of stopping the oscillation of XOSC.

**6.9.3 Run → Battery Saving**

TC32306FTG will move to Battery Saving by the setting of registers (h'0A[D7]ENB, h'0A[D6]ACT), ENB pin or RESET pin. In RX, it is possible to move to Battery Saving by the use of AutoOff function.

Notice:

- In TX, to move to Battery Saving under disabled PA is recommended. In order to reduce unexpected signal transmission caused by the OFF timing gaps of each function blocks.

**6.9.4 AutoOff Function**

It is the function to move from Run (RX) to Battery Saving automatically without the register setting. AutoOff functions are the type A and B. These are valid when Signal Detections are enabled.

Notice:

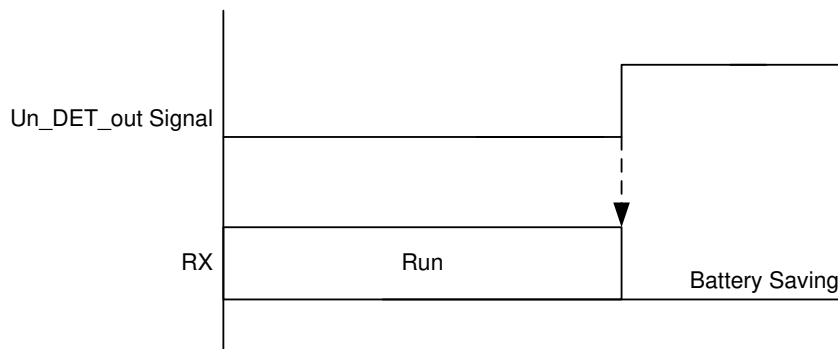
- When to move to Battery Saving by AutoOff function, the value of registers (h'0A[D7]ENB, h'0A[D6]ACT) will not change. Output and check Status\_MONI signal at DET\_TMONI1 pin and/or DET\_TMONI2 pin to confirm the transition to Battery Saving by this function.
- About the pins behavior at the transition to Battery Saving by AutoOff, see Table 5-2.

**Table 6-49 AutoOff Function Settings and Status**

h'10[D5] AutoOffA_en	h'10[D4] AutoOffB_en	AutoOff Type A	AutoOff Type B	Status
0	0	OFF	OFF	-
0	1	OFF	ON	Move to Battery Saving if the determination of "Signal Detection"(DET_out signal = "H") is not indicated within the timer period set by register:h'1D[D7:D0].
1	0	ON	OFF	Move to Battery Saving if the determination of "No Signal Detection" is indicated (Un_DET_out signal = "H").
1	1	ON	ON	Move to Battery Saving whichever earlier AutoOff Type A or Type B.

(1) AutoOff Type A (AutoOff by Signal Detections)

TC32306FTG will move from Run to Battery Saving if the determination of "No Signal Detection" is indicated (Un\_DET\_out signal = "H"). It is valid to set register:h'10[D5]AutoOffA\_en = "1".

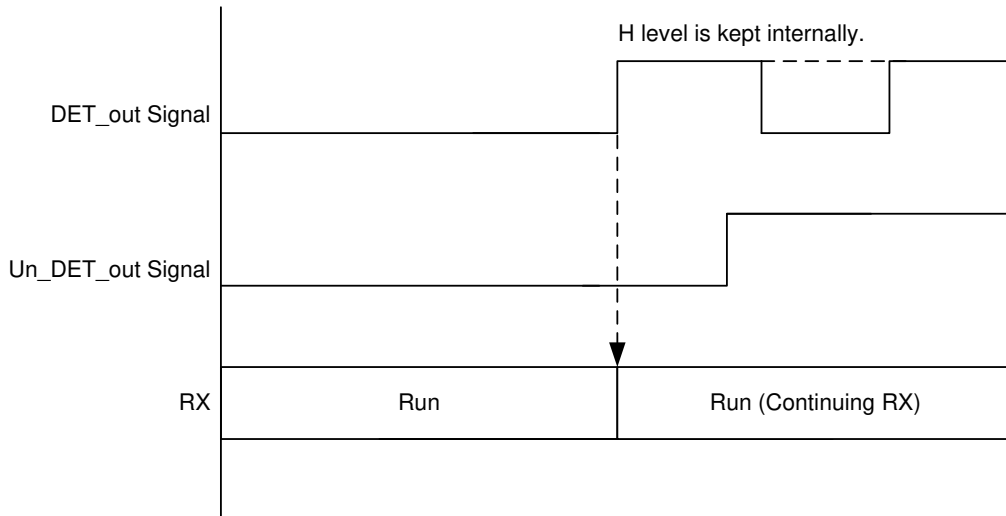


**Fig 6-33 AutoOff Type A**

\* The example of timing chart may be omitted or simplified for explanatory purposes.

- Continuing RX in AutoOff Type A

When AutoOff Type A is valid, TC32306FTG will keep to be RX despite of the condition of Un\_DET\_out signal and DET\_out signal, once after DET\_out signal turns to be "H" before Un\_DET\_out signal turns to be "H". To release from the continuing RX, need to set new register and/or change RESET/ENB pin.



**Fig 6-34 AutoOff Type A (Continuing RX)**

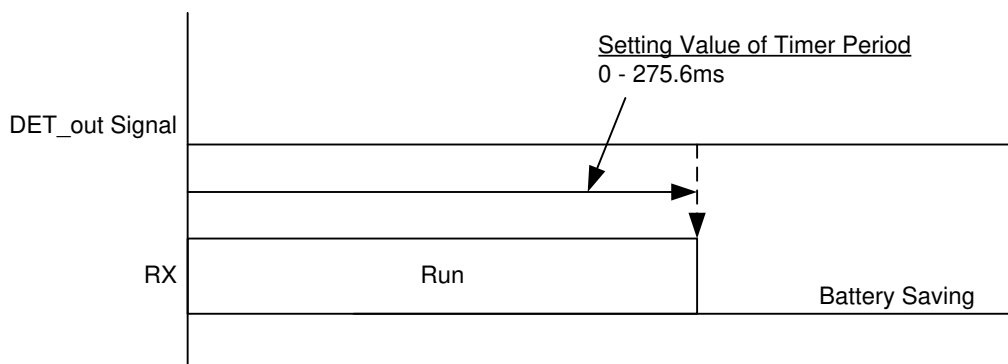
\* The example of timing chart may be omitted or simplified for explanatory purposes.

Notice:

- The function of AutoOff Type A is valid immediately after the register:h'10 is finished to write.
- To use AutoOff Type A again from Battery Saving which status caused by the operation of AutoOff Type A, set TC32306FTG status to Battery Saving or Standby by setting new registers and/or change RESET/ENB pin.
- To use AutoOff Type A again in the continuing RX, set this IC status to Battery Saving or Standby by setting new registers and/or change RESET/ENB pin.

(2) AutoOff Type B (AutoOff by Timer Setting)

TC32306FTG will move from Run to Battery Saving if the determination of "Signal Detection" (DET\_out signal = "H") is not indicated within the timer period set by register. It is valid to set register:h'10[D4]AutoOffB\_en = "1". The duration of Run (RX timer period) is set by the register:h'1D[D7:D0]Ontime7..0.

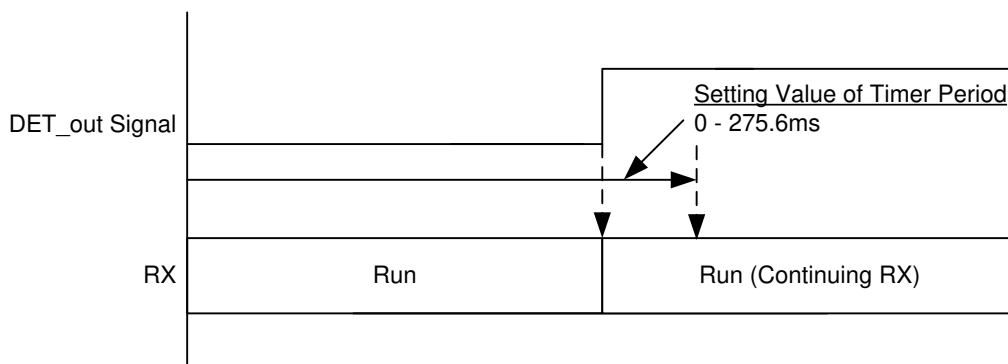


**Fig 6-35 AutoOff Type B**

\* The example of timing chart may be omitted or simplified for explanatory purposes.

- Continuing RX in AutoOff Type B

When AutoOff Type B is valid, TC32306FTG will stop the timer countdown and continue to be RX if DET\_out signal turns to be “H” before the end of timer period set by register. After that, this IC keeps to be RX despite of the condition of DET\_out signal. To move from continuing RX to Battery Saving, need to set new registers and/or change RESET/ENB pin.



**Fig 6-36 AutoOff Type B (Continuing RX)**

\* The example of timing chart may be omitted or simplified for explanatory purposes.

Notice:

- The timer period setting is derived from 30.32MHz Reference Clock Frequency.
- The timer period setting is valid after TC32306FTG moves from Battery Saving or Standby to Run.
- The timer countdown will start after about 0.06 ms from the start of internal setup, when this IC moves from Battery Saving or Standby to Run. The timer countdown will start immediately to finish register writing, if the setting of register:h'10 is valid in Run status.
- If the timer period is set to 0 ms, this IC will move to Battery Saving after the starting of timer countdown before RX.
- In the continuing RX, the stopping timer countdown of AutoOff Type B is not released even if register settings of RX operation are entered again. To use AutoOff Type B again, moving to Battery Saving or Standby is needed. In this case, the timer of AutoOff Type B is surely reset.
- In EEPROM Mode, the setting of the timer period is only 275.6 ms and cannot be set other value.

**6.9.5 Change Settings during Run**

The registers in Table 6-50 must have finished writing data before internal setup will start. When to change register settings after the internal setup has finished, do them in Battery Saving or Standby. About the internal setup, see section 6.9.1.

**Table 6-50 Changing Register Prohibited during Run**

Register	Location
Ntime1..0	h'1A [D7:D6]

The registers in Table 6-51 are valid by the transition from Battery Saving or Standby to Run. In SPI Mode, to be valid the register settings at the starting of TC32306FTG operation, set the registers during the status of Battery Saving or Standby then move to the status of Run.

**Table 6-51 Register to be Valid by the Transition to Run**

Register	Location
Delay2..0	h'0D[D6:D4]
Ontime7..0	h'1D[D7:D0]

## 6.10 Register Overview & Description

Available register's addresses in SPI Mode are "h'09-h'23", and these in EEPROM Mode are "h'0A-h'1C".

**Table 6-52 Available Register Addresses**

Code	Address								Type	Name	In EEPROM Mode
	AD7	AD6	AD5	AD4	AD3	AD2	AD1	AD0			
h'09	0	0	0	0	1	0	0	1	R / W	Software Reset	-
h'0A	0	0	0	0	1	0	1	0	R / W	General Settings	o
h'0B	0	0	0	0	1	0	1	1	R / W	Local Frequency Settings 1	o
h'0C	0	0	0	0	1	1	0	0	R / W	Local Frequency Settings 2	o
h'0D	0	0	0	0	1	1	0	1	R / W	Delay & Drive Settings	o
h'0E	0	0	0	0	1	1	1	0	R / W	LNA, IF Filter, BRF Settings	o
h'0F	0	0	0	0	1	1	1	1	R / W	RX Function Settings 1	o
h'10	0	0	0	1	0	0	0	0	R / W	RX Function Settings 2	o
h'11	0	0	0	1	0	0	0	1	R / W	Charge2 Threshold Setting	o
h'12	0	0	0	1	0	0	1	0	R / W	TX Deviation Setting	o
h'13	0	0	0	1	0	0	1	1	R / W	TX PA Settings	o
h'14	0	0	0	1	0	1	0	0	R / W	Monitor Settings1	o
h'15	0	0	0	1	0	1	0	1	R / W	Monitor Settings2	o
h'16	0	0	0	1	0	1	1	0	R / W	RSSI Threshold Setting	o
h'17	0	0	0	1	0	1	1	1	R / W	Preamble Detector Setting 1	o
h'18	0	0	0	1	1	0	0	0	R / W	Preamble Detector Settings 2	o
h'19	0	0	0	1	1	0	0	1	R / W	Noise Detector Threshold Setting	o
h'1A	0	0	0	1	1	0	1	0	R / W	Signal Detector Settings	o
h'1B	0	0	0	1	1	0	1	1	R / W	Comparator Settings	o
h'1C	0	0	0	1	1	1	0	0	R / W	Peak Hold Settings	o
h'1D	0	0	0	1	1	1	0	1	R / W	AutoOff Type B Setting	-
h'1E	0	0	0	1	1	1	1	0	R	Signal Detect and Lock Detect Monitors	-
h'1F	0	0	0	1	1	1	1	1	R	Peak Hold Level Monitor	-
h'20	0	0	1	0	0	0	0	0	R	Data Comparator Monitor 1	-
h'21	0	0	1	0	0	0	0	1	R	Data Comparator Monitor 2	-
h'22	0	0	1	0	0	0	1	0	R	RSSI Level Monitor	-
h'23	0	0	1	0	0	0	1	1	R	Noise Signal Level Monitor	-

Notice:

- "o": accessible register's addresses in EEPROM Mode
- R / W: Read and Write Register
- R: Read only Register

**Table 6-53 View of Register Settings (Reset & Status Control)**

Register Settings			Address	
Software Reset			h'09[D7:D0]	
Reset	-		-	
Reset is Released	Output Current Drive Setting		h'0D[D3:D1]	
	Status Control 1		h'0A[D7]	
	Buttery Saving	-	-	
	Run / Standby	Status Control 2		h'0A[D6]
		Standby		-
	Run		→ See next table	

**Notice:**

- "h'09" shows register's byte is "09" by hexadecimal, and [D7:D0] shows bit number are from the 7th- to the 0.

**Table 6-54 View of Register Settings (In Run Status)**

Register Settings		Address		
Antenna Switch Control		h'0A[D3:D2]		
Monitors		h'14[D6:D4], h'14[D2:D0]		
Except DET_out Signal	-	-		
DET_out Signal	DET_out Signal Output Control	h'10[D2]		
User Test		h'10[D3]		
Normal	-	-		
User Test	Monitor Signal Output	h'15[D6:D4], h'15[D2:D0]		
Delay Setting Enable / Disable		h'0D[D7]		
Disable	-	-		
Enable	Delay Time	h'0D[D6:D4]		
RF Frequency Band		h'0A[D1:D0]		
Local Frequency		h'0B[D7:D0], h'0C[D7:D0]		
RX & TX		h'0A[D5]		
RX	LNA Gain		h'0E[D7:D6]	
	IF Filter Bandwidth		h'0E[D5]	
	Demodulation		→ See next table	
	Bit Rate Filter Cutoff Frequency		h'0E[D4:D1]	
	Data Comparator Reference Voltage Charge Coefficient		h'1B[D5:D3]	
	Data Comparator Quick Charge 1 Enable / Disable		h'10[D7]	
	Data Comparator Quick Charge 2 Enable / Disable		h'10[D6]	
	Disable	-	-	
	Enable	Quick Charge Coefficient		h'1B[D7:D6]
		Quick Charge 2 Threshold Level		h'11[D7:D0]
	DATA_IO Control		h'0F[D3]	
	AutoOff Type A Enable / Disable		h'10[D5]	
	AutoOff Type B Enable / Disable		h'10[D4]	
	Disable	-	-	
Enable	Duration	h'1D[D7:D0]		
TX	PA Control		h'13[D1]	
	Disable	-	-	
	Enable	Modulation		h'0A[D4]
		FSK	Deviation	h'12[D7:D2]
		ASK	-	-
		Output Level (Coarse)		h'13[D3:D2]
Output Level (Fine)		h'13[D7:D4]		



Table 6-55 View of Register Settings (Detections Overall)

Register Settings			Address	
Demodulation (FSK / ASK)			h'0A[D4]	
FSK	NIR (Near Interference Rejection) Filter Enable / Disable		h'10[D1]	
	Disable	-	-	
	Enable	NIR Filter Frequency Control	h'1B[D2:D1]	
		Threshold Level of Detection	h'0D[D0], h'0F[D0], h'12[D1:D0], h'13[D0], h'1A[D0], h'1B[D0], h'1C[D2:D0]	
	IF Detection		h'10[D0]	
	Delay Detection	High Frequency Detector Enable / Disable		h'0F[D4]
		Disable	-	-
		Enable	High Frequency Detector AutoOff	h'1A[D1]
	Pulse Count Detection		-	
	Noise Detection Enable / Disable		h'0F[D5]	
	Enable	Disable	Noise Addition by High Frequency Detector	h'19[D0]
		Threshold Level of Detection	h'19[D7:D2]	
		Detection Interval	h'1A[D7:D6]	
		Noise Addition by High Frequency Detector	h'19[D0]	
	RSSI Detection Enable / Disable		h'0F[D7]	
	Enable	Disable	-	-
		Threshold Level of Detection	h'16[D7:D0]	
		Detection Interval	h'1A[D7:D6]	
	Preamble Detection Enable / Disable		h'0F[D6]	
	Enable	Disable	-	-
Preamble Signal Cycle		h'17[D7:D0], h'18[D7]		
Error Margin		h'18[D6:D0]		
Number of Times for Judgment		h'1A[D4:D3]		
Detection Trigger		h'1A[D2]		
ASK	Data Comparator Quick Charge 2 Enable / Disable		h'10[D6]	
	Enable	Disable	-	
		Limiter (Peak Hold Voltage Discharge Coefficient)	h'1C[D7:D5]	
	Limiter (Peak Hold Voltage Charge Coefficient)	h'1C[D4:D3]		
	RSSI Detection Enable / Disable		h'0F[D7]	
	Enable	Disable	-	-
		Threshold Level of Detection	h'16[D7:D0]	
		Detection Interval	h'1A[D7:D6]	
	Preamble Detection Enable / Disable		h'0F[D6]	
	Enable	Disable	-	-
		Threshold Level of Detection	h'17[D7:D0], h'18[D7]	
		Number of Times for Judgment	h'18[D6:D0]	
		Detection Interval	h'1A[D4:D3]	
		Detection Trigger	h'1A[D2]	

6.10.1 h'09 Software Reset

Table 6-56 Register (h'09)

	D7	D6	D5	D4	D3	D2	D1	D0
Name	RESET7	RESET6	RESET5	RESET4	RESET3	RESET2	RESET1	RESET0
Initial	0	0	0	0	0	0	0	0
Type	R/W	R/W	R/W	R/W	R/W	R/W	R/W	R/W

- Set register:[D7:D0] = b'01010101: Initialize Register
- Others: Not Initialize

After entering register:[D0] data, TC32306FTG becomes Reset status, and then the reset is released whichever faster the rising edge of next SPI-Clock signal or the rising edge of next SPI-CS signal. Set this IC to SPI Read, this IC outputs register's data "b'00000000". Set this IC to SPI Confirmation Write, then this IC outputs registers' data written just before.

6.10.2 h'0A General Settings

Table 6-57 Register (h'0A)

	D7	D6	D5	D4	D3	D2	D1	D0
Name	ENB	ACT	RX_TX	FSK_ASK	TX_SW	RX_SW	BAND1	BAND0
Initial	0	1	0	0	0	0	0	0
Type	R/W	R/W	R/W	R/W	R/W	R/W	R/W	R/W

[D7]ENB [Status Control 1]

The combinations of this register and register:[D6] result as the right table.

In SPI Mode, ENB pin = "H" leads these settings are valid and ENB pin = "L" leads TC32306FTG is Battery Saving Status.

[D7]ENB	[D6]ACT	Status
0	X	Battery Saving
1	0	Standby
1	1	Run

X: Don't care

[D6]ACT [Status Control 2]

The combinations of this register and register:[D7] result as the right table.

In SPI Mode, ENB pin = "H" leads these settings are valid and ENB pin = "L" leads TC32306FTG is Battery Saving Status.

[D5]RX\_TX [RX / TX]

0: Receiving / 1: Transmitting

[D4]FSK\_ASK [Modulation & Demodulation]

0: FSK / 1: ASK

[D3]TX\_SW [Antenna Switch Control (TX)]

0: TX\_SW pin = "L" / 1: TX\_SW pin = "H"

In SPI Mode, this register result as the right table.

In EEPROM Mode, these settings are invalid.

[D3]TX_SW [D2]RX_SW	Status	TX_SW Pin RX_SW Pin
X	Except Run / Standby	L
0	Run / Standby	L
1	Run / Standby	H

X: Don't care

L: Pull Down

[D2]RX\_SW [Antenna Switch Control (RX)]

0: RX\_SW pin = "L" / 1: RX\_SW pin = "H"

In SPI Mode, this register result as the right table.

In EEPROM Mode, these settings are invalid.

[D1:D0]BAND1..0 [RF Frequency Band]

[D1:D0] = b'00: 315 MHz

[D1:D0] = b'01: 434 MHz

[D1:D0] = b'10: 868 / 915 MHz

[D1:D0] = b'11: 868 / 915 MHz

## 6.10.3 h'0B VCO Frequency Settings 1

**Table 6-58 Register (h'0B)**

	D7	D6	D5	D4	D3	D2	D1	D0
Name	NC3	NC2	NC1	NC0	FC11	FC10	FC9	FC8
Initial	1	0	0	1	0	0	1	1
Type	R/W	R/W	R/W	R/W	R/W	R/W	R/W	R/W

[D7:D4]NC3..0 [Local Frequency: Integer Counter]

$$NC = 2^3 \times NC3 + 2^2 \times NC2 + 2^1 \times NC1 + 2^0 \times NC0$$

Initial Value: NC = 9

h'0C [D7:D0]FC7..0 & h'0B [D3:D0]FC11..8 [Local Frequency: Fractional Counter]

$$FC = -2^{11} \times FC11 + 2^{10} \times FC10 + 2^9 \times FC9 + 2^8 \times FC8 + 2^7 \times FC7 + 2^6 \times FC6 + 2^5 \times FC5 + 2^4 \times FC4 + 2^3 \times FC3 + 2^2 \times FC2 + 2^1 \times FC1 + 2^0 \times FC0$$

Initial Value: FC = 1016 (Two's complement format)

Must set the FC value between -1516 to +1515.

Example1)

VCO frequency "fvco" is set as follows.

$$fvco = (NC+53) \times fosc + FC \times fstep$$

fvco: VCO Frequency

fosc: Reference Clock Frequency (30.32MHz)

fstep: Frequency Step (= fosc / 3032)

<Case of setting fvco = 1890MHz>

$$fvco = 1890\text{MHz} / fosc = 30.32\text{MHz} / fstep = 10\text{kHz} (= 3032 / 30.32\text{MHz})$$

$$NC = fvco / fosc - 53 = 1890\text{MHz} / 30.32\text{MHz} - 53 = 9.335 \rightarrow NC = 9 \text{ (This number is rounded to an integer.)}$$

$$FC = (fvco / fosc - (NC+53)) \times fosc / fstep = (1890\text{MHz} / 30.32\text{MHz} - (9+53)) \times 30.32\text{MHz} / 10\text{kHz} = 1016$$

NC = 9 → NC = "b'1001" (Binary)

FC = 1016 → FC = "b'001111111000" (Two's complement format)

Example2)

RX frequency "frx" and TX frequency "ftx" are set as follows.

$$frx = (fvco / nd) - f\_if = [(NC+53) \times fosc + FC \times fstep] / nd - f\_if$$

$$ftx = fvco / nd = [(NC+53) \times fosc + FC \times fstep] / nd$$

frx: RX frequency

ftx: TX frequency

f\_if: IF frequency (230 or 280 kHz)

nd: Division Ratio (nd = 6 at 315MHz Band, nd = 4 at 434MHz Band, nd = 2 at 868 / 915MHz Band)

<Case of setting frx = 314.94MHz>

$$frx = 314.94\text{MHz} / fosc = 30.32\text{MHz} / fstep = 10\text{kHz} (= 3032 / 30.32\text{MHz}) / f\_if = 280\text{kHz}$$

In this case, nd = 6, as frequency band is 315MHz.

Actually to calculate frx, firstly calculate fvco based on frx, next determine the number of NC and FC.

$$fvco = (frx - f\_if) \times nd = (314.94\text{MHz} - 0.28\text{MHz}) \times 6 = 1887.96\text{MHz}$$

$$NC = fvco / fosc - 53 = 1887.96\text{MHz} / 30.32\text{MHz} - 53 = 9.268 \rightarrow NC=9 \text{ (This number is rounded to an integer.)}$$

$$FC = (fvco / fosc - (NC+53)) \times fosc / fstep = (1887.96\text{MHz} / 30.32\text{MHz} - (9 + 53)) \times 30.32\text{MHz} / 10\text{kHz} = 812$$

NC = 9 → NC = "b'1001" (Binary)

FC = 812 → FC = "b'00110010110" (Two's complement format)

By using those NC and FC, fvco and frx can be calculated again.

$$fvco = (NC+53) \times fosc + FC \times fstep = (9 + 53) \times 30.32\text{MHz} + 812 \times 10\text{kHz} = 1887.96\text{MHz}$$

$$frx = (fvco / nd) + f\_if = (1887.96\text{MHz} / 6) + 280\text{kHz} = 314.94\text{MHz}$$

<Case of setting ftx = 433.92MHz>

$$ftx = 433.92\text{MHz} / fosc = 30.32\text{MHz} / fstep = 10\text{kHz} (= 3032 / 30.32\text{MHz})$$

In this case, nd = 4, as frequency band is 433MHz, and the result of calculations aren't affected by f\_if.

Similar to the case of frx, firstly calculate fvco based on ftx, next determine the number of NC and FC.

$$fvco = ftx \times nd = 433.92\text{MHz} \times 6 = 1732.68\text{MHz}$$

$$NC = fvco / fosc - 53 = 1735.68\text{MHz} / 30.32\text{MHz} - 53 = 4.245 \rightarrow NC=4 \text{ (This number is rounded to an integer.)}$$

$$FC = (fvco / fosc - (NC+53)) \times fosc / fstep = (1735.68\text{MHz} / 30.32\text{MHz} - (4 + 53)) \times 30.32\text{MHz} / 10\text{kHz} = 744$$

NC = 4 → NC = "b'0100" (Binary)

FC = 744 → FC = "b'00101110100" (Two's complement format)

By using those NC and FC, fvco and ftx can be calculated again.

$$fvco = (NC+53) \times fosc + FC \times fstep = (4 + 53) \times 30.32\text{MHz} + 744 \times 10\text{kHz} = 1735.68\text{MHz}$$

$$ftx = fvco / nd = 1735.68\text{MHz} / 4 = 433.92\text{MHz}$$

Notice: The change of "fosc" results the change of "fvco" in the same NC and FC.

### 6.10.4 h'0C VCO Frequency Settings 2

**Table 6-59 Register (h'0C)**

	D7	D6	D5	D4	D3	D2	D1	D0
Name	FC7	FC6	FC5	FC4	FC3	FC2	FC1	FC0
Initial	1	1	1	1	1	0	0	0
Type	R/W	R/W	R/W	R/W	R/W	R/W	R/W	R/W

[D7:D0]FC7..0 [Local Frequency: Fractional Counter]

See register h'0B section.

6.10.5 h'0D Delay & Drive Functions

Table 6-60 Register (h'0D)

	D7	D6	D5	D4	D3	D2	D1	D0
Name	Delay_en	Delay2	Delay1	Delay0	DATA_IO_D	MISO_D	TMONI_D	NIR_H2
Initial	0	0	0	0	0	0	0	0
Type	R/W	R/W	R/W	R/W	R/W	R/W	R/W	R/W

[D7]Delay\_en [Delay Setting]  
 0: Disable fixed as 105.5µs  
 1: Enable set by [D6:D4]Delay\_2..0

[D6:D4]delay\_2..0 [Delay Time]  
 TC32306FTG status changes from Battery Saving / Standby to Run, then this IC starts operation with this delay time when the register:[D7]Delay\_en value is "1".  
 [D6:D4] = b'000: Delay Time = 105.5µs  
 [D6:D4] = b'001: Delay Time = 211.1µs  
 [D6:D4] = b'010: Delay Time = 316.5µs  
 [D6:D4] = b'011: Delay Time = 527.5µs  
 [D6:D4] = b'100: Delay Time = 949.5µs  
 Other: Delay Time = 105.5µs

Notice:  
 To start TC32306FTG with this delay time, changing the status from Battery Saving / Standby to Run after setting this register. If this register is set during Run, this register setting will be valid after the next transition from Battery Saving / Standby to Run.

[D3]DATA\_IO\_D [DATA\_IO Output Drive Setting]  
 0: Low / 1:High

[D2]MISO\_D [MISO Output Drive Setting]  
 0: Low / 1:High

[D1]TMONI\_D [DET\_TMONI1 / DET\_TMONI2 Output Drive Setting]  
 0: Low / 1:High

[D0] NIR\_H2  
 When to use NIR filter (h'10[D1]NIR\_Fil\_en = "1"), set this register "0".

6.10.6 h'0E LNA, IF Filter, BRF Settings

Table 6-61 Register (h'0E)

	D7	D6	D5	D4	D3	D2	D1	D0
Name	Lna_gain1	Lna_gain0	IFBW	BRF_Bit3	BRF_Bit2	BRF_Bit1	BRF_Bit0	-
Initial	0	0	0	1	0	0	1	0
Type	R/W	R/W	R/W	R/W	R/W	R/W	R/W	R/W

[D7:D6]Lna\_gain1..0 [LNA Gain]  
 LNA gain depends on RF frequency band.  
 [D7:D6] = b'00: LNA Gain = Minimum Setting  
 [D7:D6] = b'11: LNA Gain = Maximum Setting

[D5]IFBW [IF Filter Bandwidth]

[D5]IFBW	IF Filter Bandwidth	IF Frequency
0	320kHz	230kHz
1	270kHz	280kHz

Change IF Frequency depends on IF Filter Bandwidth.

[D4:D1]BRF\_Bit3..0 [Bit Rate Filter Cutoff Frequency]

For details, see Table 6-25.

[D0]

Set to "0" surely.

### 6.10.7 h'0F RX Function Settings 1

**Table 6-62 Register (h'0F)**

	D7	D6	D5	D4	D3	D2	D1	D0
Name	Drssi_en	Preamble_en	Ndet_en	Hdet_en	Dataout_cnt_en	Digital_en	Det_reset_n	NIR_L2
Initial	0	0	0	0	0	1	1	1
Type	R/W	R/W	R/W	R/W	R/W	R/W	R/W	R/W

[D7]Drssi\_en [RSSI Detection]

0: Disable / 1: Enable

[D6]Preamble\_en [Preamble Detection]

0: Disable / 1: Enable

[D5]Ndet\_en [Noise Detection]

0: Disable / 1: Enable

[D4]Hdet\_en [High Frequency Detector]

In Delay Detection (h'10[D0]Sel\_Det = "0"), this register setting is valid.

0: Disable / 1: Enable

[D3]Dataout\_cnt\_en [DATA\_IO Control]

0: Disable / 1: Enable

[D2]Digital\_en [Digital Block Control]

Digital Block (Detector, LPF(ASK), LPF(FSK), BRF, Data COMP) Control

0: Disable / 1: Enable

[D1]Det\_reset\_n [Detection Reset (RSSI Detection / Noise Detection / Preamble Detection)]

0: Detection Reset (Auto resume)

1: Reset is released

Notice:

These detections are reset after writing all the registers in this address.

The function is resumed automatically at the rising edge of CS signal after setting this register.

TC32306FTG always outputs previous input value of the register whichever the auto resume or not,

(If this register is written to "0", the register outputs "0", after that auto resume.)

[D0] NIR\_L2

When to use NIR filter (h'10[D1]NIR\_Fil\_en = "1") and Delay Detection (h'10[D0]Sel\_Det = "0"), set this register "1".

When to use NIR filter (h'10[D1]NIR\_Fil\_en = "1") and Pulse Count Detection (h'10[D0]Sel\_Det = "1"), set this register "0".

**6.10.8 h'10 RX Function Settings 2**

**Table 6-63 Register (h'10)**

	D7	D6	D5	D4	D3	D2	D1	D0
Name	Charge1_en	Charge2_en	AutoOffA_en	AutoOffB_en	USER_TEST	DET_out_cnt_en	NIR_Fil_en	Sel_Det
Initial	0	1	0	0	0	1	0	0
Type	R/W	R/W	R/W	R/W	R/W	R/W	R/W	R/W

[D7]Charge1\_en [Data Comparator Quick Charge 1]

0: Disable / 1: Enable

[D6]Charge2\_en [Data Comparator Quick Charge 2]

0: Disable / 1: Enable

[D5]AutoOffA\_en [AutoOff Type A]

0: Disable / 1: Enable

Notice: When to use the function of AutoOff Type A with using Preamble Detection, set both Data Comparator Quick Charge 1 and 2 to the status of ON.

[D4] AutoOffB\_en [AutoOff Type B]

0: Disable / 1: Enable

[D3]USER\_TEST [User Test]

0: Disable / 1: Enable (Internal monitor signals output from DET\_TMONI3 / DET\_TMONI4 Pin.)

[D2]Det\_out\_cnt\_en [DET\_out Signal Output Control]

0: Disable / 1: Enable

[D1]NIR\_Fil\_en [NIR (Near Interference Rejection) Filter Control]

When to use FSK Demodulation (h'0A[D4]FSK\_ASK = "0"), this setting is valid.

0: Disable / 1: Enable

[D0] Sel\_Det [IF Detection Select]

When to use FSK Demodulation (h'0A[D4]FSK\_ASK = "0"), this setting is valid.

0: Delay Detection / 1: Pulse Count Detection

6.10.9 h'11 Charge2 Threshold Setting

Table 6-64 Register (h'11)

	D7	D6	D5	D4	D3	D2	D1	D0
Name	Charge2_Th7	Charge2_Th6	Charge2_Th5	Charge2_Th4	Charge2_Th3	Charge2_Th2	Charge2_Th1	Charge2_Th0
Initial	0	0	1	1	1	1	0	1
Type	R/W	R/W	R/W	R/W	R/W	R/W	R/W	R/W

[D7:D0]Charge2\_Th7..0 [Quick Charge 2 Threshold Level]

When to set Data Comparator Quick Charge 2 (h'10[D6]Charge2\_en = "1") and FSK Demodulation (h'0A[D4]FSK\_ASK = "0"), this setting is valid.

In ASK Demodulation (h'0A[D4]FSK\_ASK = "1"), input to this register is invalid, because the threshold level is automatically set.

- Setting Range

[D7:D0] = 0 - 255 (b'00000000 - b'11111111)

Initial Value: 61 (b'00111101)

For details, see section 6.5.9.

Notice: In ASK Demodulation (h'0A[D4]FSK\_ASK = "1"), the value of that threshold level for automatically setting cannot be read.

6.10.10 h'12 TX Deviation Setting

Table 6-65 Register (h'12)

	D7	D6	D5	D4	D3	D2	D1	D0
Name	Dev5	Dev4	Dev3	Dev2	Dev1	Dev0	NIR_2H1	NIR_2H0
Initial	0	0	1	1	0	0	0	0
Type	R/W	R/W	R/W	R/W	R/W	R/W	R/W	R/W

[D7:D2]Dev5..0 [Deviation]

This deviation depends on the setting of RF frequency band.

- Setting Range

[D7:D2] = 0 - 63 (b'000000 - 111111)

Initial Value: 12 (b'001100)

- Deviation Setting Range at 30.32MHz Reference Clock Frequency.

315 MHz: Unmodulated, from +/-1.67kHz to +/-105kHz

434 MHz: Unmodulated, from +/-2.5kHz to +/-157.5kHz

868 / 915 MHz: Unmodulated, from +/-5kHz to +/-315kHz

Notice: When to set this register value to "0", RF output signal is unmodulated.

Example)

Deviation: +/-dev = fd × n / nd

fd: Frequency Resolution of VCO 10kHz (= fosc / 3032) \* fosc: Reference Clock Frequency (30.32MHz)

nd: Division Ratio (nd = 6 at 315MHz Band, nd = 4 at 434MHz Band nd = 2 at 868 / 915MHz Band)

n: value of register:[D7:D2]Dev5..0 (Converted to decimal)

Notice:

In ASK Receiving / Transmitting and FSK Receiving, settings of register h'12[D7:D2] are invalid.

The change of "fosc" results the change of deviation.



[D1] NIR\_2H1

When to use NIR filter (h'10[D1]NIR\_Fil\_en = "1"), set this register "0".

[D0] NIR\_2H0

When to use NIR filter (h'10[D1]NIR\_Fil\_en = "1") and Delay Detection (h'10[D0]Sel\_Det = "0"), set as follows.

At intermittent RX: set this register "0". / At continuous RX: set this register "1".

When to use NIR filter (h'10[D1]NIR\_Fil\_en = "1") and Pulse Count Detection (h'10[D0]Sel\_Det = "1"), set this register "0".

6.10.11 h'13 TX PA Settings

Table 6-66 Register (h'13)

	D7	D6	D5	D4	D3	D2	D1	D0
Name	TX_subgain3	TX_subgain2	TX_subgain1	TX_subgain0	TX_gain1	TX_gain0	PA_en	NIR_H1
Initial	1	1	1	1	1	1	1	0
Type	R/W	R/W	R/W	R/W	R/W	R/W	R/W	R/W

[D7:D4] TX\_subgain3..0 [Output Level (Fine)]

The output level depends on RF frequency band.

[D7:D4] = b'0000: Minimum

[D7:D4] = b'1111: Maximum

[D3:D2] TX\_gain1..0 [Output Level (Coarse)]

The output level depends on RF frequency band.

[D3:D2] = b'00: Minimum

[D3:D2] = b'11: Maximum

Notice:

In ASK and FSK Receiving, settings of register h'13[D7:D2] are invalid.

[D1]PA\_en [PA Enable / Disable]

The combination register:h'0A[D5]RX\_TX and Internal LD Signal (The result of PLL lock detection: see below) results the operation of PA in the below table.

h'0A[D5] RX_TX	[D1]PA_en	Internal LD Signal	PA Function
0	X	X	Disable
1	X	L	Disable
1	0	X	Disable
1	1	H	Enable

X: Don't care

Internal LD Signal is only use for PA, and the signal keeps "H" after the first rising edge of PLL\_LD Signal. Above function is only available in TX and the Internal LD Signal cannot be monitored. To release the signal holding state, set one of the follows.

- Set TC32306FTG in the status of Battery Saving or Standby.
- Change from TX to RX.
- Change TX modulation. (ASK ↔ FSK)
- Change RF frequency. (In the change in the value of register "h'0B" and/or "h'0C")
- Change the value of register:h'12[D7:D2] for TX deviation. (This is only valid in FSK setting (h'0A[D4]FSK\_ASK = "0"))

[D0] NIR\_H1

When to use NIR filter (h'10[D1]NIR\_Fil\_en = "1"), set this register "0".

6.10.12 h'14 Monitor Settings1

Table 6-67 Register (h'14)

	D7	D6	D5	D4	D3	D2	D1	D0
Name	-	MONI1_SEL2	MONI1_SEL1	MONI1_SELO	-	MONI2_SEL2	MONI2_SEL1	MONI2_SELO
Initial	0	0	0	0	0	0	0	0
Type	R/W	R/W	R/W	R/W	R/W	R/W	R/W	R/W

[D7]

Set to "0" surely.

[D6:D4] MONI1\_SEL2..0 [DET\_TMONI1 Pin Output]

[D6] MONI1_SEL2	[D5] MONI1_SEL1	[D4] MONI1_SELO	Signal Name	Description
0	0	0	-	Low level output
0	0	1	DET_out	The result of "Signal Detection"
0	1	0	Preamble_DET_out	The result of Preamble detection
0	1	1	RSSI_DET_out	The result of RSSI detection
1	0	0	NDET_out	The result of Noise detection
1	0	1	Status_MONI	TC32306FTG status (Standby, Run) / Battery Saving
1	1	0	Un_DET_out	The result of "No Signal Detection"
1	1	1	PLL_LD	The result of PLL lock detection

[D3]

Set to "0" surely.

[D2:D0]MONI2\_SEL2..0 [DET\_TMONI2 Pin Output]

[D2] MONI2_SEL2	[D1] MONI2_SEL1	[D0] MONI2_SELO	Signal Name	Description
0	0	0	-	Low level output
0	0	1	DET_out	The result of "Signal Detection"
0	1	0	Preamble_DET_out	The result of Preamble detection
0	1	1	RSSI_DET_out	The result of RSSI detection
1	0	0	NDET_out	The result of Noise detection
1	0	1	Status_MONI	TC32306FTG status (Standby, Run) / Battery Saving
1	1	0	Un_DET_out	The result of "No Signal Detection"
1	1	1	PLL_LD	The result of PLL lock detection

## 6.10.13 h'15 Monitor Settings2

**Table 6-68 Register (h'15)**

	D7	D6	D5	D4	D3	D2	D1	D0
Name	-	MONI3_SEL2	MONI3_SEL1	MONI3_SEL0	-	MONI4_SEL2	MONI4_SEL1	MONI4_SEL0
Initial	0	0	0	0	0	0	0	0
Type	R/W	R/W	R/W	R/W	R/W	R/W	R/W	R/W

[D7]

Set to "0" surely.

[D6:D4]MONI3\_SEL2..0 [DET\_TMONI3 Pin Output]

When to select User Test (h'10[D3]USER\_TEST = "1" and/or MODE1 pin = "H"), these settings are valid.

[D6] MONI3_SEL2	[D5] MONI3_SEL1	[D4] MONI3_SEL0	Signal Name	Description
0	0	0	BRF_out	Bit Rate Filter output signal
0	0	1	BRF_in	Bit Rate Filter input signal
0	1	0	Data_compREF	Data Comparator Reference voltage
0	1	1	DRSSI_out	RSSI output voltage (After the digital to analog conversion)
1	0	0	Noise_out	Noise detection output voltage
1	0	1	Peak_out	Peak hold voltage of Peak Hold Circuit
1	1	0	-	Low level output
1	1	1	-	Low level output

[D3]

Set to "0" surely.

[D2:D0]MONI4\_SEL2..0 [DET\_TMONI4 Pin Output]

When to select User Test (h'10[D3]USER\_TEST = "1" and/or MODE1 pin = "H"), these settings are valid.

[D2] MONI4_SEL2	[D1] MONI4_SEL1	[D0] MONI4_SEL0	Signal Name	Description
0	0	0	Data_compREF	Data Comparator Reference voltage
0	0	1	BRF_in	Bit Rate Filter input signal
0	1	0	BRF_out	Bit Rate Filter output signal
0	1	1	DRSSI_out	RSSI output voltage (After the digital to analog conversion)
1	0	0	Noise_out	Noise detection output voltage
1	0	1	Peak_out	Peak hold voltage of Peak Hold Circuit
1	1	0	-	Low level output
1	1	1	-	Low level output

**6.10.14 h'16 RSSI Threshold Setting**

**Table 6-69 Register (h'16)**

	D7	D6	D5	D4	D3	D2	D1	D0
Name	DRSSI_Th7	DRSSI_Th6	DRSSI_Th5	DRSSI_Th4	DRSSI_Th3	DRSSI_Th2	DRSSI_Th1	DRSSI_Th0
Initial	0	0	0	0	0	0	0	0
Type	R/W	R/W	R/W	R/W	R/W	R/W	R/W	R/W

[D7:D0]DRSSI\_Th7..0 [RSSI Threshold Level of Detection]

- Setting Range

[D7:D0] = 0 - 255 (b'00000000 - b'11111111)

Initial Value: 0

To set RSSI threshold level of detection, refer the value of "h'22[D7:D0] RSSI Level Monitor".

**6.10.15 h'17 Preamble Detector Setting 1**

**Table 6-70 Register (h'17)**

	D7	D6	D5	D4	D3	D2	D1	D0
Name	Pre_Time7	Pre_Time6	Pre_Time5	Pre_Time4	Pre_Time3	Pre_Time2	Pre_Time1	Pre_Time0
Initial	1	0	0	1	1	1	1	0
Type	R/W	R/W	R/W	R/W	R/W	R/W	R/W	R/W

h'18[D7] & h'17[D7:D0]Pre\_Time8..0 [Preamble Signal Cycle]

When to set Preamble detection (h'0F[D6]Preamble\_en = "1"), this setting is valid.

- Setting Range

h'18[D7] & h'17[D7:D0] = 0 - 511 (b'000000000 - b'111111111)

Initial Value: 158(b'010011110)

See section 6.5.6 about the Function of Preamble detection.

Notice: The cutoff frequency of Bit Rate Filter is derived from 30.32MHz Reference Clock Frequency.

**6.10.16 h'18 Preamble Detector Settings 2**

**Table 6-71 Register (h'18)**

	D7	D6	D5	D4	D3	D2	D1	D0
Name	Pre_Time8	Err_Margin6	Err_Margin5	Err_Margin4	Err_Margin3	Err_Margin2	Err_Margin1	Err_Margin0
Initial	0	0	0	0	0	1	0	1
Type	R/W	R/W	R/W	R/W	R/W	R/W	R/W	R/W

[D7]Pre\_Time8 [Preamble Signal Cycle]

See register h'17.

[D6:D0]Err\_Margin6..0 [Error Margin]

When to set Preamble detection (h'0F[D6]Preamble\_en = "1"), this setting is valid.

- Setting Range

[D6:D0] = 0 - 127 (b'00000000 - b'11111111)

Initial Value: 5 (b'0000101)

See section 6.5.6 about the Function of Preamble Detection.

Notice: The cutoff frequency of Bit Rate Filter is derived from 30.32MHz Reference Clock Frequency.

**6.10.17 h'19 Noise Detector Threshold Setting**

**Table 6-72 Register (h'19)**

	D7	D6	D5	D4	D3	D2	D1	D0
Name	Ndet_Th5	Ndet_Th4	Ndet_Th3	Ndet_Th2	Ndet_Th1	Ndet_Th0	-	Add_Hdet_en
Initial	0	0	0	0	0	0	0	0
Type	R/W	R/W	R/W	R/W	R/W	R/W	R/W	R/W

[D7:D2] Ndet\_Th5..0 [Noise Detector Threshold Level of Detection]

When to set FSK Demodulation (h'0A[D4]FSK\_ASK = "0") and Noise Detection (h'0F[D5] Ndet\_en = "1"), this setting is valid.

- Setting Range

[D7:D2] = 0 - 63 (b'00000000 - b'11111111)

Initial Value: 0

To set Noise Detector threshold level, refer the value of "h'23[D7:D0] Noise Signal Level Monitor".

[D1]

Set to "0" surely.

[D0] Add\_Hdet\_en [Noise Addition by High Frequency Detector]

0: Disable / 1: Enable

## 6.10.18 h'1A Signal Detector Settings

Table 6-73 Register (h'1A)

	D7	D6	D5	D4	D3	D2	D1	D0
Name	Ntime1	Ntime0	-	Pre_DetCount1	Pre_DetCount0	Pre_DetTrig	Auto_Hdet_Off	NIR_H0
Initial	1	0	0	1	0	0	0	0
Type	R/W	R/W	R/W	R/W	R/W	R/W	R/W	R/W

---

[D7:D6]Ntime1..0 [Detection Interval]

Set the interval Noise Detection and RSSI Detection.

[D7]Ntime1	[D6]Ntime0	n	Judgment Interval (tdet)
0	0	1	0.338ms
0	1	2	0.675ms
1	0	4	1.35 ms
1	1	8	2.70ms

tdet: Detection Interval, fosc: Reference Clock Frequency (30.32MHz)

n: Coefficient determined by the setting of "[D7:D6]Ntime1..0"

$tdet = n \times 1 / ((fosc / 256) / 40)$  sec

Notice:

This tdet value in above table is derived from 30.32MHz Reference Clock Frequency.

To be valid the setting of this register setting, finish writing the value to this register before the internal setup will start. When the internal setup has finished and TC32306FTG is Run status, move this IC status to Battery Saving / Standby and change this register value.

---

[D5]

Set to "0" surely.

---

[D4:D3]Pre\_DetCount1..0 [Preamble Detection Number of Times for Judgment]

- Judged "Detection" by continuous detection within the error margin.
- Judged "No Detection" by continuous detection outside the error margin.

[D2]Pre\_DetTrig [Preamble Detection Trigger]

- 0: Judged by period (Checked at the rising edge of the signal)
- 1: Judged by bit (Checked both rising and falling edge of the signal)

Judgment Criteria	[D4] Pre_DetCount1	[D3] Pre_DetCount0	[D2] Pre_DetTrig	Number of Times for Judgment / Detection Interval
Signal Detection	0	0	0	3 Period
	0	0	1	6 Bit
	0	1	0	4 Period
	0	1	1	8 Bit
	1	0	0	5 Period (Initial)
	1	0	1	10 Bit
	1	1	0	6 Period
	1	1	1	12bit
No Signal Detection	X	X	0	3 Period (Initial)
	X	X	1	4 bit

X: Don't care

[D1] Auto\_Hdet\_Off [High Frequency Detector AutoOff]

When to set High Frequency Detection (h'0F[D4] Hdet\_en = "1"), this setting is valid.

- 0: Disable / 1: Enable

[D0] NIR\_H0

When to use NIR filter (h'10[D1]NIR\_Fil\_en = "1"), set this register "0".

### 6.10.19 h'1B Data Comparator Settings

**Table 6-74 Register (h'1B)**

	D7	D6	D5	D4	D3	D2	D1	D0
Name	Charge2_Ref1	Charge2_Ref0	Cmp_Ref2	Cmp_Ref1	Cmp_Ref0	NIR_Frqth1	NIR_Frqth0	NIR_2L1
Initial	0	1	1	0	0	0	0	0
Type	R/W	R/W	R/W	R/W	R/W	R/W	R/W	R/W

[D7:D6]Charge2\_Ref1..0 [Data Comparator Quick Charge Coefficient]

When to set Data Comparator Quick Charge 2 (h'10[D6]Charge2\_en = "1"), this setting is valid. Set the tracking time constant  $\tau$  of the data comparator reference voltage (vref). This is valid only if an absolute value of the difference between vref and vi (Data comparator input voltage) will be greater than the threshold level set by register:h'11[D7:D0]Charge2\_Th7..0".

tracking time constant  $\tau$ :  $\tau = nc' / fbc$

nc': Inverse of "(1/nr)+(1/nc)"

nc: Setting value of this register:Charge2\_Ref1..0 (Refer to the table below.)

nr: Setting value of this register:[D5:D3]Cmp\_Ref2..0

fbc: Internal clock signal frequency depends on Bit Rate Filter register:h'0E [D4:D1]BRF\_Bit3..0

[D7]Charge2_Ref1	[D6]Charge2_Ref0	1/nc	nc
0	0	1/4	4
0	1	1/8	8
1	0	1/16	16
1	1	1/32	32

See section 6.5.9 about Data Comparator Quick Charge 2.

Notice: The cutoff frequency of Bit Rate Filter is derived from 30.32MHz Reference Clock Frequency.

[D5:D3]Cmp\_Ref2..0 [Data Comparator reference Level]

Set the tracking time constant  $\tau$  under the following conditions.

1. No use of Data Comparator Quick Charge 1 & 2
2. Certain time has spent after starting Data Comparator Quick Charge 1.
3. An absolute value of the difference between vref and vi (Data comparator input voltage) will be less than the threshold level set by register:h'11[D7:D0]Charge2\_Th7..0.

tracking time constant  $\tau$ :  $\tau = nr / fbc$

nr: Setting value of this register:[D5:D3]Cmp\_Ref2..0 (Refer to the table below.)

fbc: Internal clock signal frequency depends on Bit Rate Filter register:h'0E [D4:D1]BRF\_Bit3..0

[D5]Cmp_Ref2	[D4]Cmp_Ref1	[D3]Cmp_Ref0	1/nr	nr
0	0	0	1/128	128
0	0	1	1/256+1/512	170.7
0	1	0	1/256	256
0	1	1	1/512+1/1024	341.3
1	0	0	1/512	512
1	0	1	1/1024+1/2048	682.7
1	1	0	1/1024	1024
1	1	1	1/2048+1/4096	1365.3

See section 6.5.9 about Data Comparator Reference Voltage.

Notice: The cutoff frequency of Bit Rate Filter is derived from 30.32MHz Reference Clock Frequency.

[D2:D1] NIR\_Frqth1..0 [NIR Filter Frequency Control]

[D1:D0] = b'00: 631 kHz (Initial Value)

[D1:D0] = b'01: 659 kHz

[D1:D0] = b'10: 689 kHz

[D1:D0] = b'11: 712 kHz

[D0] NIR\_2L1

When to use NIR filter (h'10[D1]NIR\_Fil\_en = "1"), set this register "1".



**6.10.20 h'1C Peak Hold Settings**

**Table 6-75 Register (h'1C)**

	D7	D6	D5	D4	D3	D2	D1	D0
Name	Peak_Ref2	Peak_Ref1	Peak_Ref0	Peak_Charge1	Peak_Charge0	NIR_2L0	NIR_L1	NIR_L0
Initial	1	0	0	0	1	0	0	0
Type	R/W	R/W	R/W	R/W	R/W	R/W	R/W	R/W

[D7:D5] Peak\_Ref2..0 [Limiter (Peak Hold Voltage Discharge Coefficient)]

When to set ASK Demodulation (h'0A[D4]FSK\_ASK = "1") and Data Comparator Quick Charge 2 (h'10[D6]Charge2\_en = "1"), this setting is valid. Set the discharge time constant of Peak Hold circuit.

Discharge time constant  $\tau$ :  $\tau = tr / fbc$

tr: Setting value of this register:Peak\_Ref2..0 (Refer to the table below.)

fbc: Internal clock signal frequency depends on Bit Rate Filter register:h'0E [D4:D1]BRF\_Bit3..0

[D7]Peak_Ref2	[D6]Peak_Ref1	[D5]Peak_Ref0	1/tr	tr
0	0	0	1/64	64
0	0	1	1/128+1/256	85.3
0	1	0	1/128	128
0	1	1	1/256+1/512	170.7
1	0	0	1/256	256
1	0	1	1/512+1/1024	341.3
1	1	0	1/512	512
1	1	1	1/1024+1/2048	682.7

See section 6.5.7 about Peak Hold circuit.

Notice: The cutoff frequency of Bit Rate Filter is derived from 30.32MHz Reference Clock Frequency.

[D4:D3] Peak\_Charge1..0 [Limiter (Peak Hold Voltage Charge Coefficient)]

When to set ASK Demodulation (h'0A[D4]FSK\_ASK = "1") and Data Comparator Quick Charge 2 (h'10[D6]Charge2\_en = "1"), this setting is valid. Set the charging time constant peak tracking of Peak Hold circuit.

Charge time constant peak tracking  $\tau$ :  $\tau = tp' / fbc$

tp': Inverse of "(1/tp)+(1/tr)"

tp: Setting value of this register:Peak\_Charge1..0 (Refer to the table below.)

tr: Setting value of this register:Peak\_Ref2..0

fbc: Internal clock signal frequency depends on Bit Rate Filter register:h'0E [D4:D1]BRF\_Bit3..0

[D4]Peak_Charge1	[D3]Peak_Charge0	1/tp	tp
0	0	1/8	8
0	1	1/16	16
1	0	1/32	32
1	1	1/64	64

See section 6.5.7 about Peak Hold circuit.

Notice: The cutoff frequency of Bit Rate Filter is derived from 30.32MHz Reference Clock Frequency.

[D2] NIR\_2L0

When to use NIR filter (h'10[D1]NIR\_Fil\_en = "1") and Delay Detection (h'10[D0]Sel\_Det = "0"), set this register "0".

When to use NIR filter (h'10[D1]NIR\_Fil\_en = "1") and Pulse Count Detection (h'10[D0]Sel\_Det = "1"), set this register "1".

[D1] NIR\_L1

When to use NIR filter (h'10[D1]NIR\_Fil\_en = "1") and Delay Detection (h'10[D0]Sel\_Det = "0"), set this register "1".

When to use NIR filter (h'10[D1]NIR\_Fil\_en = "1") and Pulse Count Detection (h'10[D0]Sel\_Det = "1"), set this register "0".

[D0]NIR\_L0

When to use NIR filter (h'10[D1]NIR\_Fil\_en = "1"), set this register "0".

**6.10.21 h'1D AutoOff Type B Setting**

**Table 6-76 Register (h'1D)**

	D7	D6	D5	D4	D3	D2	D1	D0
Name	Ontime7	Ontime6	Ontime5	Ontime4	Ontime3	Ontime2	Ontime1	Ontime0
Initial	0	0	0	0	0	0	0	0
Type	R/W	R/W	R/W	R/W	R/W	R/W	R/W	R/W

[D7:D0]Ontime7..0 [Duration]

When to set AutoOff Type B (h'10[D4]AutoOffB\_en = "1"), this setting is valid.

Set value of timer period till the function of AutoOff Type B starts to operate. TC32306FTG will move to Battery Saving after the value of timer period is passed, if this IC will not find "Signal Detection" after the boot sequence.

- Setting Range

[D7:D0] = 0 - 255 (b'00000000 - b'11111111)

Initial Value: 0 (b'00000000)

Maximum: 275.6ms(b'00000000)

Minimum: 0ms(b'00000001)

\* The Maximum & Minimum value of timer periods depend on 30.32MHz Reference Clock Frequency.

- Way of setting

n: Setting value of register:[D7:D0]Ontime7..0

Setting value of timer period:  $t_{off} = 2^{15}/f_{osc} \times (n-1)$  (except  $n = 0$ )

Setting value of timer period:  $t_{off} = 2^{15}/f_{osc} \times 255$  ( $n = 0$ )

fosc: Reference Clock Frequency (30.32MHz)

Notice:

To be valid the setting of timer period, move TC32306FTG status from Battery Saving / Standby to Run after the register setting. The setting of timer period will be valid after the next moving from Battery Saving / Standby to Run, if the register setting will be described after the moving to Run. In EEPROM Mode, this register cannot be changed from the initial value.

**6.10.22 h'1E Signal Detect and Lock Detect Monitors**

**Table 6-77 Register (h'1E)**

	D7	D6	D5	D4	D3	D2	D1	D0
Name	Lock_DET	DRSSI_DET	Noise_DET	Pre_DET	-	-	-	-
Type	R	R	R	R	R	R	R	R

[D7]Lock\_DET [Lock Detect Signal Monitor]

The status of PLL lock.

0: Unlocked

1: Locked

[D6]DRSSI\_DET [RSSI Detection]

0: During the detection / Disable

1: Detected (RSSI\_DET\_out Signal = "H")

[D5]Noise\_DET [Noise Detection]  
 0: During the detection / Disable  
 1: Detected (NDET\_out Signal = "H")

[D4]Pre\_DET [Preamble Detection]  
 0: During the detection / Disable  
 1: Detected (Preamble\_DET\_out Signal = "H")

[D3:D0]  
 This output is always "0".

**6.10.23 h'1F Peak Hold Level Monitor**

**Table 6-78 Register (h'1F)**

	D7	D6	D5	D4	D3	D2	D1	D0
Name	PEAK7	PEAK6	PEAK5	PEAK4	PEAK3	PEAK2	PEAK1	PEAK0
Type	R	R	R	R	R	R	R	R

[D7:D0]PEAK7..0 [Peak Hold Level Monitor]  
 The output is 8 bit Peak Hold values of Peak Hold circuit. In FSK, the output this register is the value "b'00000000".

Notice:  
 In ASK, the register outputs the values of the Peak Hold Circuit without the function of Data Comparator Quick Charge 2.

**6.10.24 h'20 Data Comparator Monitor 1**

**Table 6-79 Register (h'20)**

	D7	D6	D5	D4	D3	D2	D1	D0
Name	Ref_diff7	Ref_diff6	Ref_diff5	Ref_diff4	Ref_diff3	Ref_diff2	Ref_diff1	Ref_diff0
Type	R	R	R	R	R	R	R	R

[D7:D0]Ref\_diff7..0 [Data Comparator Reference Level Drift Monitor 1]  
 The output is 8 bit reference level drift of Data Comparator circuit. It is available to monitor for the adjustment for the register setting of that circuit. The output of 1 LSB will be equivalent to the drift of (1/1.53) kHz. The output this register is the value "b'11111111" when the drift increase than 165.75kHz. When the Digital Block circuits are disabled, the output of this register is the value "b'00000000".

**6.10.25 h'21 Data Comparator Monitor 2**

**Table 6-80 Register (h'21)**

	D7	D6	D5	D4	D3	D2	D1	D0
Name	Ref_bias7	Ref_bias6	Ref_bias5	Ref_bias4	Ref_bias3	Ref_bias2	Ref_bias1	Ref_bias0
Type	R	R	R	R	R	R	R	R

[D7:D0]Ref\_bias7..0 [Data Comparator Average Reference Level Monitor]  
 The output is 8 bit average reference of the Data Comparator circuit. 1 LSB will be equivalent to the average of (1/1.53) kHz × 4 at the setting of FSK. When the Digital Block circuits are disabled, the output of this register is the value "b'00000000".

**6.10.26 h'22 RSSI Level Monitor**

**Table 6-81 Register (h'22)**

	D7	D6	D5	D4	D3	D2	D1	D0
Name	DRSSI7	DRSSI6	DRSSI5	DRSSI4	DRSSI3	DRSSI2	DRSSI1	DRSSI0
Type	R	R	R	R	R	R	R	R

[D7:D0]DRSSI7..0 [Digital RSSI Level Monitor]

The output is 8 bit Digital RSSI level. When Digital RSSI circuit is disabled, the output of this register is the value "b'00000000".

**6.10.27 h'23 Noise Signal Level Monitor**

**Table 6-82 Register (h'23)**

	D7	D6	D5	D4	D3	D2	D1	D0
Name	DNDET7	DNDET6	DNDET5	DNDET4	DNDET3	DNDET2	DNDET1	DNDET0
Type	R	R	R	R	R	R	R	R

[D7:D0]DNDET7..0 [Noise Detection Level Monitor]

The output is 8 bit Noise Detection level. When Noise Detection circuit is disabled, the output of this register is the value "b'00000000".

## 7. Absolute Maximum Ratings

**Table 7-1 Absolute Maximum Ratings**

(The temperature for unspecified temperature ranges is  $T_a = 25^\circ\text{C}$ ; voltage is ground referenced.)

Characteristics	Symbol / Pin Name	Rating	Unit
Power supply voltage 1	COM_VDD, A_VDD_5V	Min. -0.2 / Max. +6.0	V
Power supply voltage 2	A_VDD_3V	Min. -0.2 / Max. +3.6	V
Voltage difference between pins 1	COM_VDD - A_VDD_3V	Min. -0.2 / Max. +6.0	V
Voltage difference between pins 2	A_VDD_5V - A_VDD_3V	Min. -0.2 / Max. +6.0	V
Voltage difference between pins 3	COM_VDD - A_VDD_5V	Min. -0.2 / Max. +0.2	V
Input voltage (I/O pin)	DATA_IO, CS, CLK, MOSI, MISO	Min. -0.2 / Max. COM_VDD+0.2 or 6.0 (Whichever is lower.)	V
Input pin voltage 1	ENB, 3V/5V	Min. -0.2 / Max. COM_VDD+0.2 or 6.0 (Whichever is lower.)	V
Input pin voltage 2	RESET, TEST, MODE1, MODE2	Min. -0.2 / Max. +6.0	V
Input pin voltage 3	RX_SW, TX_SW	Min. -0.2 / Max. A_VDD_5V+0.2 or 6.0 (Whichever is lower.)	V
Signal pin voltage	RF_OUT, PA_OUT	Min. -0.2 / Max. +3.6	V
Maximum input power	RF_IN	Max. 10	dBm
Power dissipation	PD	Max. 1.0	W
Storage temperature range	Tstg	Min. -55 / Max. +125	$^\circ\text{C}$

The absolute maximum ratings of a semiconductor device are a set of specified parameter values, which must not be exceeded during operation, even for an instant. If any of these rating would be exceeded during operation, the device electrical characteristics may be irreparably altered and the reliability and lifetime of the device can no longer be guaranteed. Moreover, these operations with exceeded ratings may cause break down, damage and/or degradation to any other equipment. Applications using the device should be designed such that absolute each maximum rating will never be exceeded in any operating conditions. Before using, creating and/or producing designs, refer to and comply with the precautions and conditions set forth in this documents.

**8. Operating Range**

**Table 8-1 Operating Range**

(The temperature for unspecified temperature ranges is Ta = 25°C; voltage is ground referenced.)

Characteristics	Symbol	Test Circuit	Test Condition	Min	Typ.	Max	Unit
Temperature range	Topr	-	-	-40	25	110	°C
Supply voltage range (For 5V Use, in SPI Mode)	V <sub>DD(5V)</sub>	-	-	2.4	5.0	5.5	V
Supply voltage range (For 3V Use, in SPI Mode)	V <sub>DD(3V)</sub>	-	-	2.0	3.0	3.3	V
Supply voltage range (For 5V Use, in EEPROM Mode)	V <sub>DDE2P(5V)</sub>	-	-	2.5	5.0	5.5	V
Supply voltage range (For 3V Use, in EEPROM Mode)	V <sub>DDE2P(3V)</sub>	-	-	2.5	3.0	3.3	V
RF frequency range at 315MHz	f <sub>RF(315)</sub>	-	IF = 230kHz/ Wide band XOSC: 30.32MHz	310	314.94	316	MHz
RF frequency range at 434MHz	f <sub>RF(434)</sub>	-	IF = 230kHz/ Wide band XOSC: 30.32MHz	433	433.92	435	MHz
RF frequency range at 868MHz	f <sub>RF(868)</sub>	-	IF = 230kHz/ Wide band XOSC: 30.32MHz	868	868	870	MHz
RF frequency range at 915MHz	f <sub>RF(915)</sub>	-	IF = 230kHz/ Wide band XOSC: 30.32MHz	902	915	928	MHz
X_IN Signal input level	V <sub>X_IN</sub>	-	Peak to peak value	0.5	-	1.5	V

The operating range indicates the conditions under which basic functional operation is possible even when there are fluctuations in the electrical characteristics of a device.

**9. Electrical Data**

(Unless otherwise specified, Ta = 25°C, V<sub>DD</sub> = 5.0V (For 5V use), fin(RF) = 314.94MHz, fin(X\_IN) = 30.32MHz, Vin(X\_IN) = 1.5Vp-p, deviation = +/-40kHz, fmod = 600Hz, FSK modulation, ENB = High, f(IF) = 230kHz(Wide band), Set register:h'0A[D7] = "1", Set other registers initial)

**Table 9-1 General Characteristics**

Characteristics	Symbol	Test Circuit	Test Condition	Min	Typ.	Max	Unit
Current consumption, RF-receiving, no signal, FSK 1	I <sub>DDfm(RX)1</sub>	11-2	314.94MHz	7.2	9.7	12.2	mA
Current consumption, RF-receiving, no signal, FSK 2	I <sub>DDfm(RX)2</sub>	11-2	433.92MHz	6.9	9.2	11.5	mA
Current consumption , RF-receiving, no signal, FSK 3	I <sub>DDfm(RX)3</sub>	11-2	868MHz, 915MHz	8.1	10.8	13.5	mA
Current consumption , RF-receiving, no signal, ASK 1	I <sub>DDam(RX)1</sub>	11-2	314.94MHz	7.4	9.9	12.4	mA
Current consumption , RF-receiving, no signal, ASK 2	I <sub>DDam(RX)2</sub>	11-2	433.92MHz	7.1	9.5	11.9	mA
Current consumption , RF-receiving, no signal, ASK 3	I <sub>DDam(RX)3</sub>	11-2	868MHz, 915MHz	8.3	11.1	13.9	mA
Current consumption , RF-transmitting 1	I <sub>DD(TX)1</sub>	11-2	314.94MHz, TX, Set maximum output, Unmodulated	9.0	12.0	15.0	mA
Current consumption , RF-transmitting, PA off	I <sub>DD(TX)PAOFF</sub>	11-2	314.94MHz, TX, PA off, Unmodulated	3.6	4.8	6.0	mA
Current consumption, in Battery Saving	I <sub>DD(BS)</sub>	11-2	-	-	0	5	μA

**Table 9-2 Pin Characteristics**

Characteristics	Symbol	Test Circuit	Test Condition		Min	Typ.	Max	Unit	
Input low voltage 1	V <sub>IL1</sub>	-	ENB, RESET, 3V/5V, MODE2, DATA_IO, MISO, MOSI, CLK, CS		-0.2	0	COM_VDD × 0.2	V	
Leakage current 1 (Low voltage input)	I <sub>IL1</sub>	-			-	-	5	μA	
Input high voltage 1	V <sub>IH1</sub>	-			COM_VDD × 0.8	COM_VDD	COM_VDD +0.2	V	
Leakage current 1 (High voltage input)	I <sub>IH1</sub>	-			-	-	5	μA	
Input low voltage 2	V <sub>IL2</sub>	-	RX_SW, TX_SW		-0.2	0	A_VDD_5V × 0.2	V	
Leakage current 2 (Low voltage input)	I <sub>IL2</sub>	-			-	-	5	μA	
Input high voltage 2	V <sub>IH2</sub>	-			A_VDD_5V × 0.8	A_VDD_5V	A_VDD_5V +0.2	V	
Leakage current 2 (High voltage input)	I <sub>IH2</sub>	-			-	-	5	μA	
Output resistance	R <sub>OH1</sub>	-	DATA_IO, DET_TMONI1, DET_TMONI2	Low Drive	7.5	10	12.5	kΩ	
Output low voltage 1	V <sub>OL1</sub>	-		High Drive	I <sub>OL</sub> = 0.5mA	-	-	0.4	V
Output high voltage 1	V <sub>OH1</sub>	-			I <sub>OH</sub> = -0.5mA	4.6	-	-	V
Output low voltage 2	V <sub>OL2</sub>	-	MISO	Low Drive	I <sub>OL</sub> = 0.5mA	-	-	0.4	V
Output high voltage 2	V <sub>OH2</sub>	-			I <sub>OH</sub> = -0.5mA	4.6	-	-	-
Output low voltage 3	V <sub>OL3</sub>	-		High Drive	I <sub>OL</sub> = 1.0mA	-	-	0.4	V
Output high voltage 3	V <sub>OH3</sub>	-			I <sub>OH</sub> = -1.0mA	4.6	-	-	-
Output low voltage 4	V <sub>OL4</sub>	-	CLK, CS, MOSI		I <sub>OL</sub> = 1.0mA	-	-	0.4	V
Output high voltage 4	V <sub>OH4</sub>	-			I <sub>OH</sub> = -1.0mA	4.6	-	-	-
Output high voltage 5	V <sub>OH5</sub>	-	RX_SW, TX_SW		I <sub>OH</sub> = -2.0mA	4.2	-	-	V

**Table 9-3 RF-Receiving Characteristics**

Characteristics	Symbol	Test Circuit	Test Condition	Min	Typ.	Max	Unit
LNA gain	$G_{v(LNA)}$	11-4	50 $\Omega$ termination	-11	-8	-5	dB
IF filter lower cutoff frequency 1	$IF_{L1}$	-	f <sub>o</sub> -3dB point IF = 230kHz / Wide band	-	70	90	kHz
IF filter higher cutoff frequency 1	$IF_{H1}$	-	f <sub>o</sub> -3dB point IF = 230kHz / Wide band	370	390	-	kHz
IF filter lower cutoff frequency 2	$IF_{L2}$	-	f <sub>o</sub> -3dB point IF = 280kHz / Middle band	-	140	160	kHz
IF filter higher cutoff frequency 2	$IF_{H2}$	-	f <sub>o</sub> -3dB point IF = 280kHz / Middle band	390	410	-	kHz
RSSI output voltage 1	$V_{RSSI1}$	11-5	$V_{IN(MIX)} = -80dBm$ , Unmodulated	0.30	0.55	0.80	V
RSSI output voltage 2	$V_{RSSI2}$	11-5	$V_{IN(MIX)} = -60dBm$ , Unmodulated	0.85	1.25	1.60	V
RSSI output voltage 3	$V_{RSSI3}$	11-5	$V_{IN(MIX)} = -30dBm$ , Unmodulated	1.85	2.35	2.80	V
RSSI output resistance	$R_{RSSI}$	11-3	-	37.5	50	62.5	k $\Omega$
Duty ratio	$DR_{fm}$	11-5	$V_{IN(MIX)} = -60dBm$ , DATA_IO pin output, Data pattern: 010101...	45	50	55	%

(Unless otherwise specified,  $T_a = 25^\circ C$ ,  $V_{DD} = 5.0V$  (For 5V use),  $f_{in}(RF) = 314.94MHz$ ,  $f_{in}(X\_IN) = 30.32MHz$ ,  $V_{in}(X\_IN) = 1.5V_{pp}$ , FSK modulation, ENB = High, RF transmitting, Unmodulated, Set register:h'0A[D7] = "1", Set other registers initial)

**Table 9-4 RF-Transmitting Characteristics**

Characteristics	Symbol	Test Circuit	Test Condition	Min	Typ.	Max	Unit
Output level (315MHz) 1	$P_{TX(315)1}$	11-6	FSK, 314.94MHz, Unmodulated, Via a matching circuit, Set maximum output,	8	10	12	dBm
			ASK, 314.94MHz, Peak power, Via a matching circuit, Set maximum output,				



## 10. Reference Characteristics Data

This item contains reference values and does not contain any guaranteed values.

(Unless otherwise specified,  $T_a = 25^\circ\text{C}$ ,  $V_{DD} = 5.0\text{V}$  (For 5V use),  $f_{in}(\text{RF}) = 314.94\text{MHz}$ ,  $f_{in}(\text{X\_IN}) = 30.32\text{MHz}$ ,  $V_{in}(\text{X\_IN}) = 1.5\text{V}_{p-p}$ , deviation =  $\pm 40\text{kHz}$ ,  $f_{mod} = 600\text{Hz}$ , FSK modulation, ENB = High,  $f(\text{IF}) = 230\text{kHz}$ (Wide band), Set register:h'0A[D7] = "1", Set other registers initial)

**Table 10-1 Reference General Characteristics Data**

Characteristics	Symbol	Test Circuit	Test Condition	Typ.	Unit
Regulator output voltage 1	A_REG30	-	For 5V use	3.0	V
Regulator output voltage 2	A_REG15	-	-	1.5	V
Regulator output voltage 3	D_REG	-	-	1.5	V
Regulator output voltage 4	PLL_REG	-	-	1.5	V

**Table 10-2 Reference RF-Receiving Characteristics Data**

Characteristics	Symbol	Test Circuit	Test Condition	Typ.	Unit
Receiver sensitivity 12dB SINAD1	12dB SINAD1	-	314.94/ 433.92MHz, IF = 280kHz / Middle band, FSK, Deviation = $\pm 40\text{kHz}$	-117	dBm
Receiver sensitivity 12dB SINAD2	12dB SINAD2	-	314.94/ 433.92MHz, IF = 230kHz / Wide band, FSK, Deviation = $\pm 40\text{kHz}$	-116	dBm
Receiver sensitivity 12dB SINAD3	12dB SINAD3	-	915MHz, IF = 280kHz / Middle band, FSK, Deviation = $\pm 40\text{kHz}$ , except for the harmonics of reference clock	-116	dBm
Receiver sensitivity 12dB SINAD4	12dB SINAD4	-	915MHz, IF = 230kHz / Wide band, FSK, Deviation = $\pm 40\text{kHz}$ , except for the harmonics of reference clock	-115	dBm
Receiver sensitivity 12dB SINAD5	12dB SINAD5	-	314.94 MHz, IF = 230kHz / Wide band, ASK, 90% depth, square wave input	-121	dBm
LNA voltage gain (315 / 434 MHz)	$G_{v(LNA)H}$	-	314.94 / 433.92MHz, via a matching circuit	35	dB
LNA voltage gain (868 / 915 MHz)	$G_{v(LNA)L}$	-	868 / 915MHz, via a matching network	26	dB
Mixer conversion gain 1	$G_{v(MIX)1}$	-	314.94 / 433.92MHz, 50 $\Omega$ termination	31	dB
Mixer conversion gain 2	$G_{v(MIX)2}$	-	868 / 915MHz, 50 $\Omega$ termination	35	dB
Mixer Intercept point (3rd order)	IIP3	-	Input referred value	-9	dBm
Mixer 1dB compression	IP1dB	-	Input referred value	-18	dBm
Image rejection ratio	IRR	-	-	35	dB
IF AMP gain	$G_{v(IF)}$	-	-	51	dB
IF filter attenuation	IFF <sub>ATT</sub>	-	300kHz offset, IF = 280kHz / Middle band	18.6	dB

(Unless otherwise specified,  $T_a = 25^\circ\text{C}$ ,  $V_{DD} = 5.0\text{V}$  (For 5V use),  $f_{in}(\text{RF}) = 314.94\text{MHz}$ ,  $f_{in}(\text{X\_IN}) = 30.32\text{MHz}$ ,  $V_{in}(\text{X\_IN}) = 1.5\text{Vp-p}$ , FSK modulation, ENB = High, RF transmitting, Unmodulated, Set register:h'0A[D7] = "1", Set other registers initial)

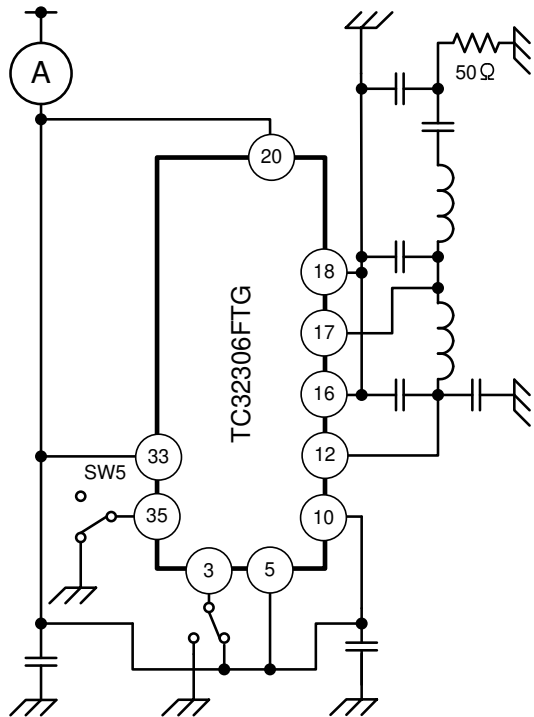
**Table 10-3 Reference RF-Transmitting Characteristics Data**

Characteristics	Symbol	Test Circuit	Test Condition	Typ.	Unit
Current consumption , RF-transmitting 2	$I_{DD(TX)2}$	-	Register:h'13 [D3:D2] = "10"	10.4	mA
Current consumption , RF-transmitting 3	$I_{DD(TX)3}$	-	Register:h'13 [D3:D2] = "01"	8.8	mA
Current consumption , RF-transmitting 4	$I_{DD(TX)4}$	-	Register:h'13 [D3:D2] = "00" (Minimum level)	7.3	mA
RF-transmitting power level (315MHz) 2	$P_{TX(315)2}$	-	Register:h'13 [D3:D2] = "10"	8	dBm
RF-transmitting power level (315MHz) 3	$P_{TX(315)3}$	-	Register:h'13 [D3:D2] = "01"	4.7	dBm
RF-transmitting power level (315MHz) 4	$P_{TX(315)4}$	-	Register:h'13 [D3:D2] = "00" (Minimum level)	0	dBm

**Table 10-4 Reference PLL Characteristics Data**

Characteristics	Symbol	Test Circuit	Test Condition	Typ.	Unit
Lockup time	$T_{PLL}$	-	-	50	$\mu\text{s}$
450kHz offset C/N (RF-transmitting)	C/N1	-	315 / 434MHz, Unmodulated	70	dBc/100kHz
1MHz offset C/N (RF-transmitting)	C/N2	-	915MHz, Unmodulated	60	dBc/300kHz

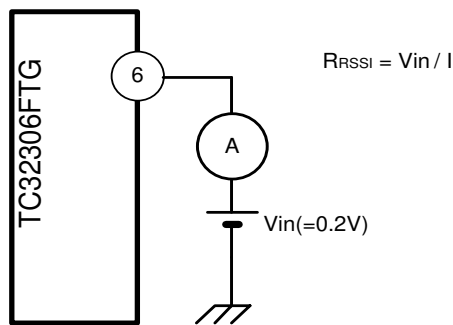




Test Characteristics:  $I_{DDfm (RX)1}$ ,  $I_{DDfm (RX)2}$ ,  $I_{DDfm (RX)3}$ ,  $I_{DDam (RX)1}$ ,  $I_{DDam (RX)2}$ ,  $I_{DDam (RX)3}$ ,  $I_{DD (TX)1}$ ,  $I_{DD (TX)PAOFF}$ ,  $I_{DD (BS)}$

\* For 5V mode, set 5 pin to high level.  
 In the measurement of RF-Receiving, set to be open 35 pin by operating SW5.  
 In the measurement of RF-Transmitting, set to be low level and set to unmodulated by register. In the measurement of RF-Transmitting without PA operation, set the register:h13[D1]PA\_en = "0".  
 Also in the measurement of RF-Transmitting, set the output pin via a 50Ω termination as illustrated.  
 In the measurement of Battery Saving Status, set 3 pin to low level.

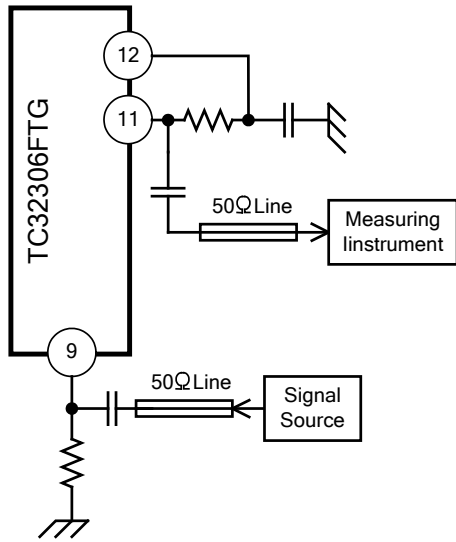
Fig 11-2 Test Circuit (Current Consumption)



Test Characteristics:  $R_{RSSI}$

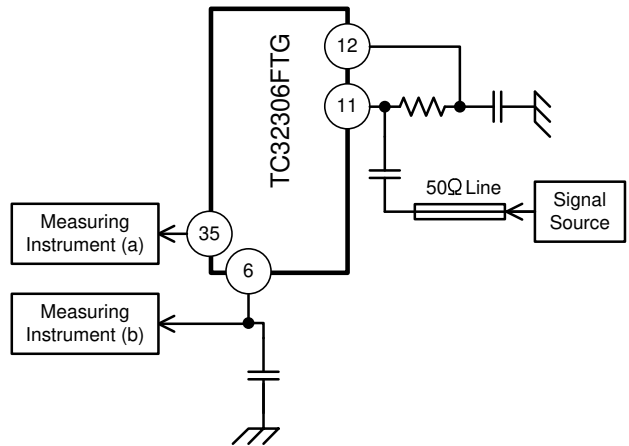
\* It will be measured at no voltage supply to TC32306FTG, and applied lower voltage not to work internal protection diodes.

Fig 11-3 Test Circuit (RSSI\_OUT Pin Output Resistance)



Test Characteristics:  $G_v$  (LNA)

**Fig 11-4 Test Circuit (LNA Gain)**

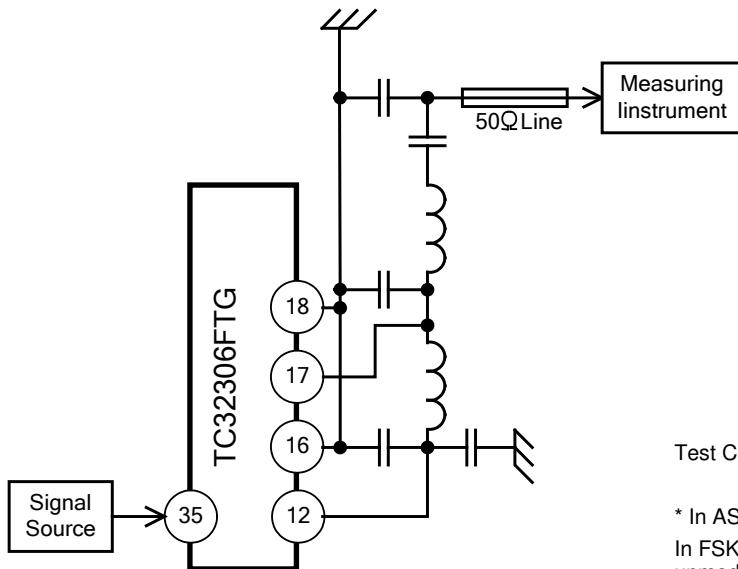


Test Characteristics:  $DR_{fm}$ ,  $V_{RSS1}$ ,  $V_{RSS2}$ ,  $V_{RSS3}$

\* Measure  $DR_{fm}$  by connecting (a).

Measure  $V_{RSS1}/V_{RSS2}/V_{RSS3}$  by connecting (b).

**Fig 11-5 Test Circuit (RF-Receiving)**



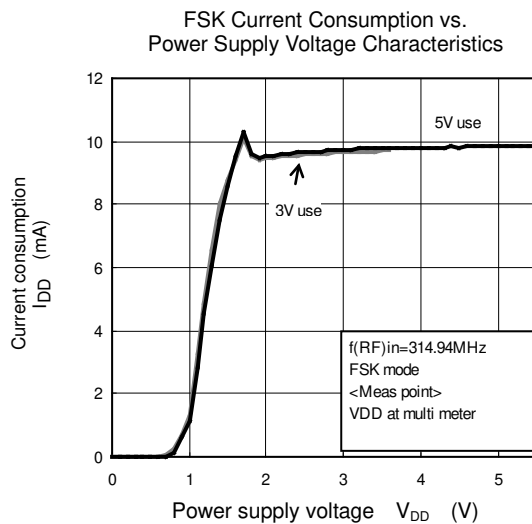
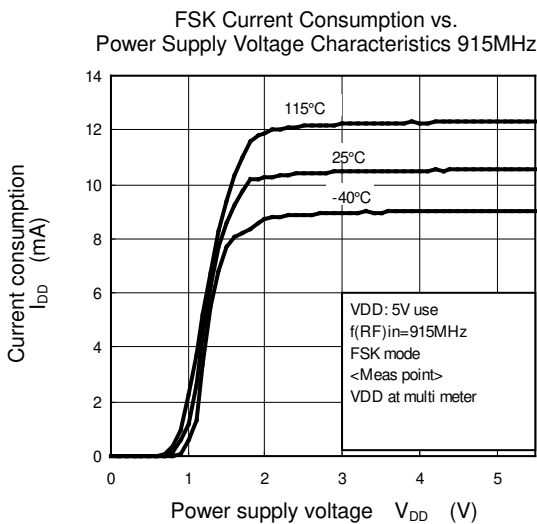
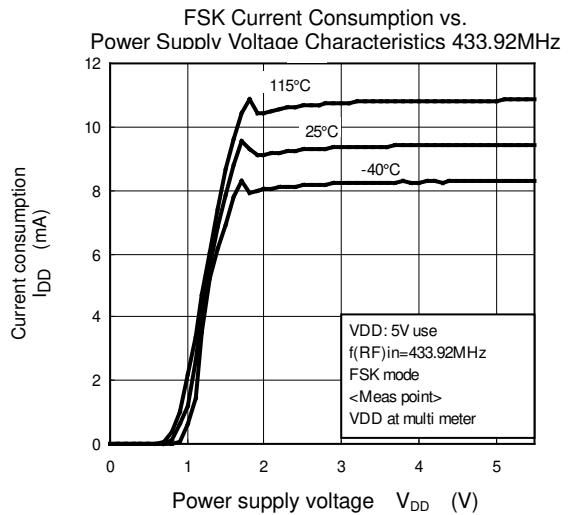
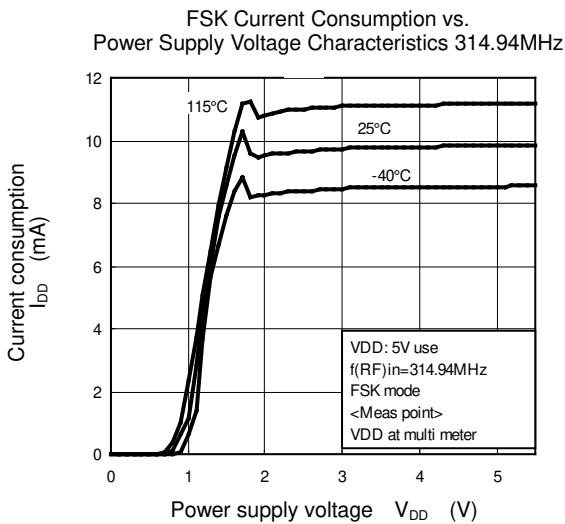
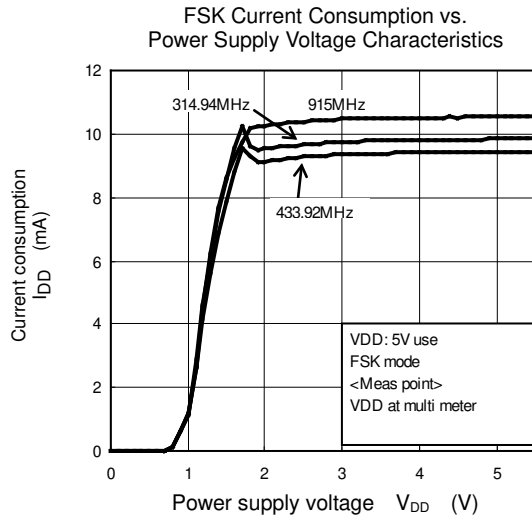
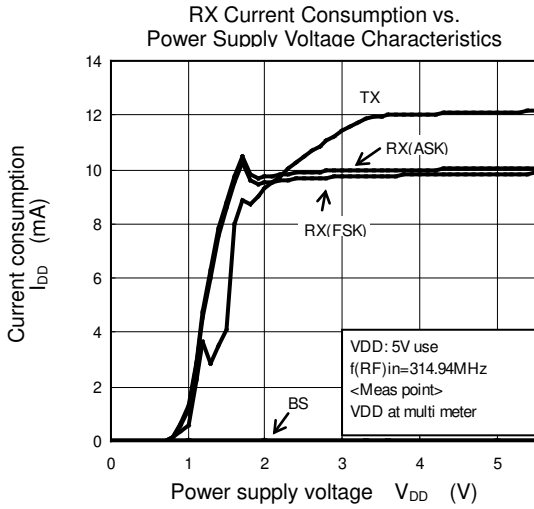
Test Characteristics:  $P_{TX(315)}$

\* In ASK, measure by connecting the signal source to 35 pin.  
In FSK, measure by setting 35 pin to low level. (Set to unmodulated by register)

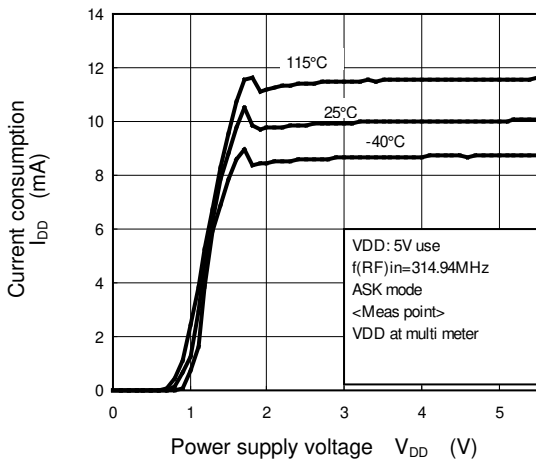
**Fig 11-6 Test Circuit (RF-Transmitting)**

12. Reference data

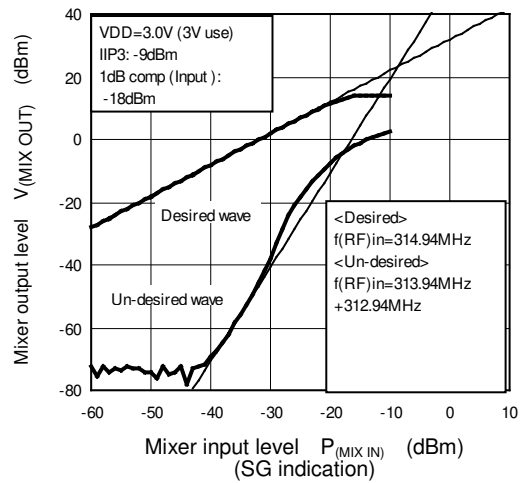
(This is temperature characteristics data when it used test circuit boards. This is not guarantee on condition that it is stating except electrical characteristics.)



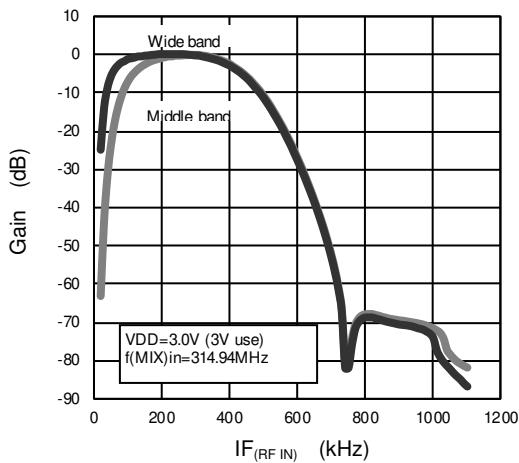
ASK Current Consumption vs. Power Supply Voltage Characteristics 314.94MHz



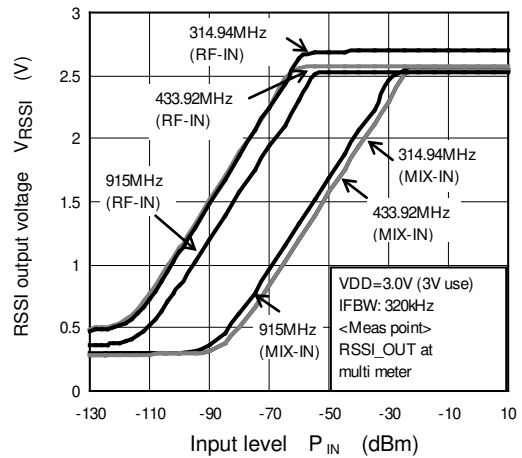
MIX Intercept Point



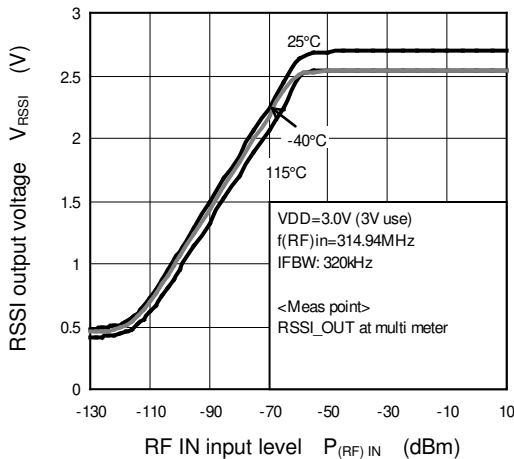
IF Filter Characteristics



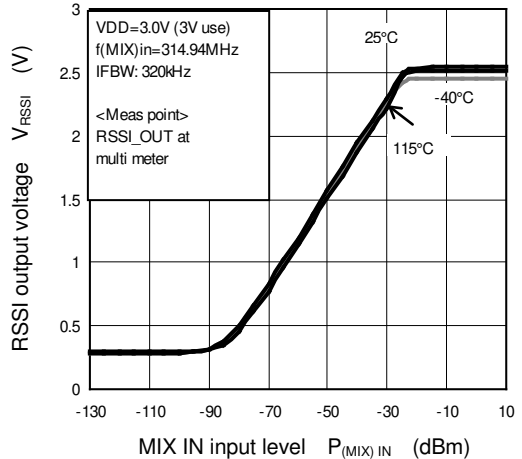
RSSI Output Voltage Characteristics (RF, MIX input)

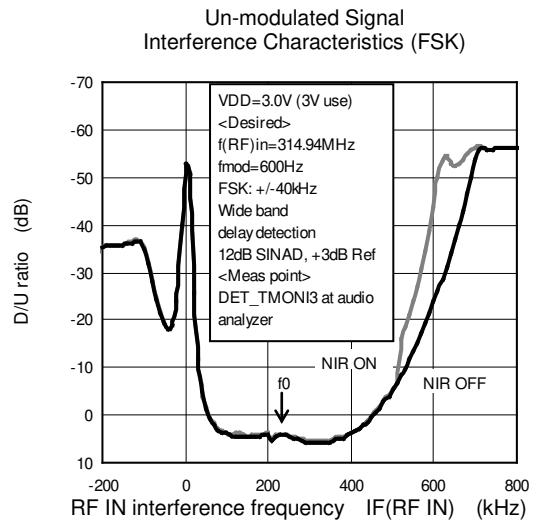
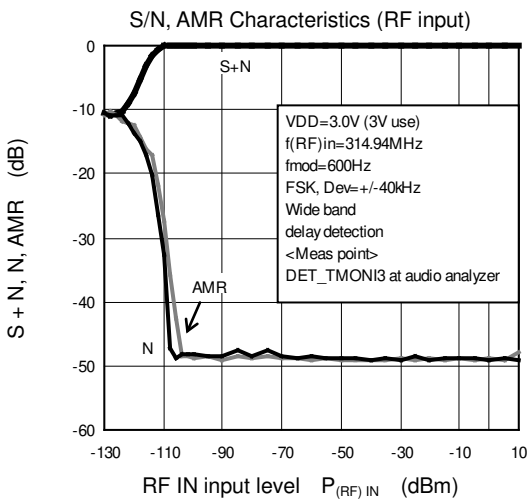
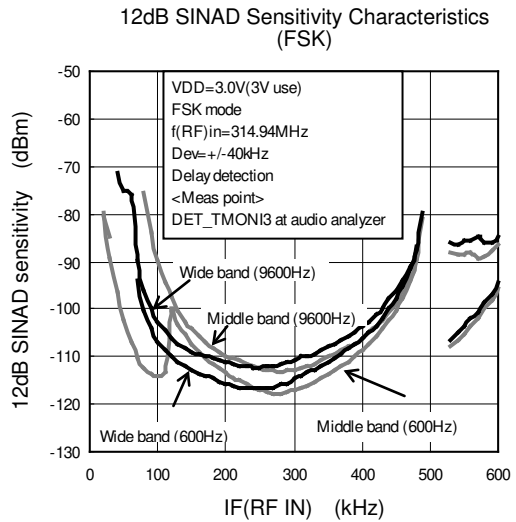
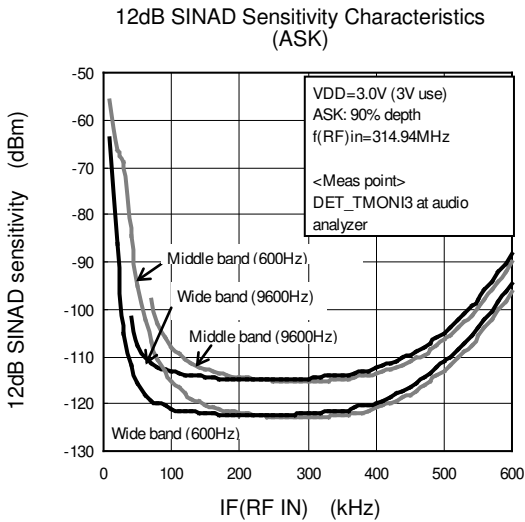
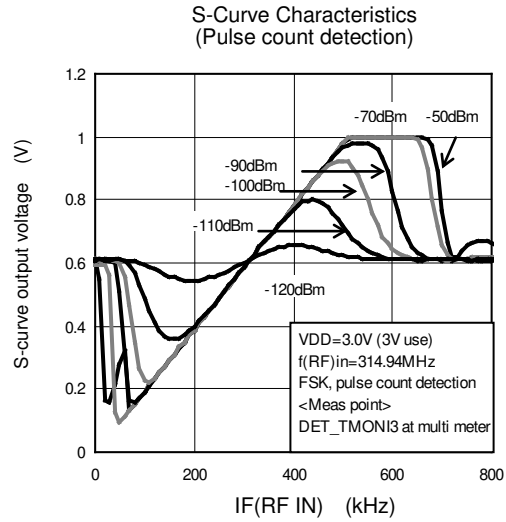
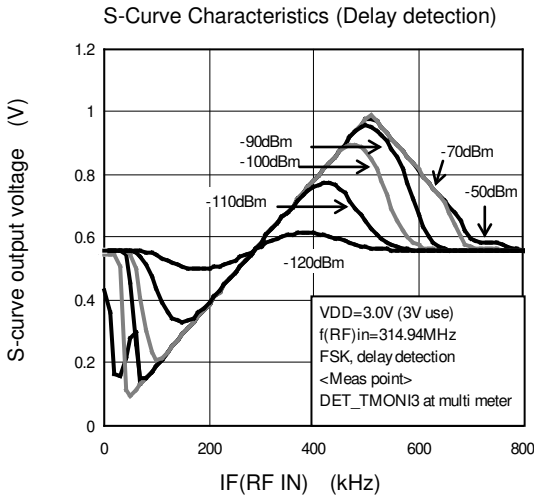


RSSI Output Voltage Characteristics (RF input)



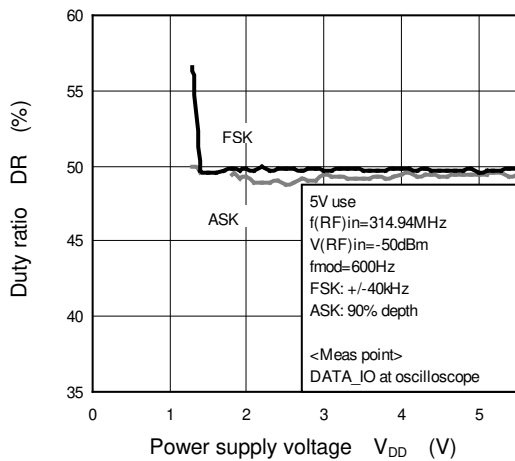
RSSI Output Voltage Characteristics (MIX input)



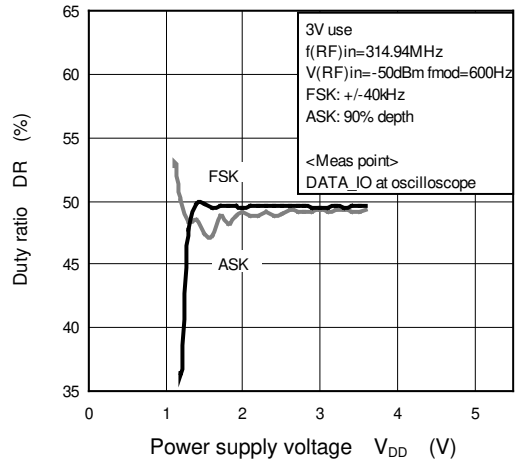




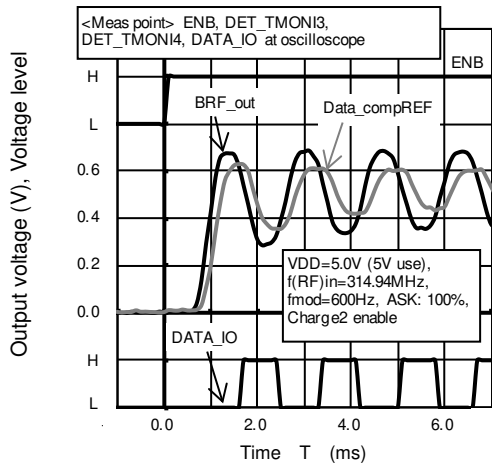
Duty Ratio vs. Power Supply Voltage Characteristics (5V use)



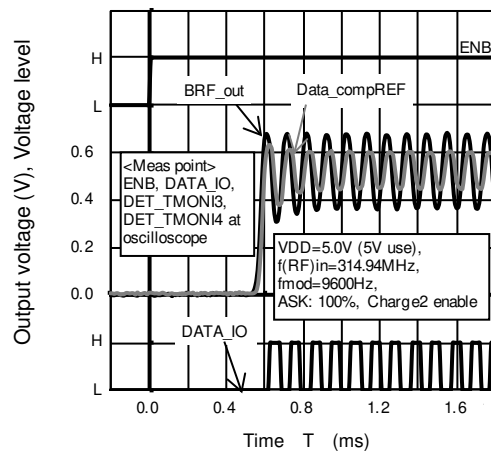
Duty Ratio vs. Power Supply Voltage Characteristics (3V use)



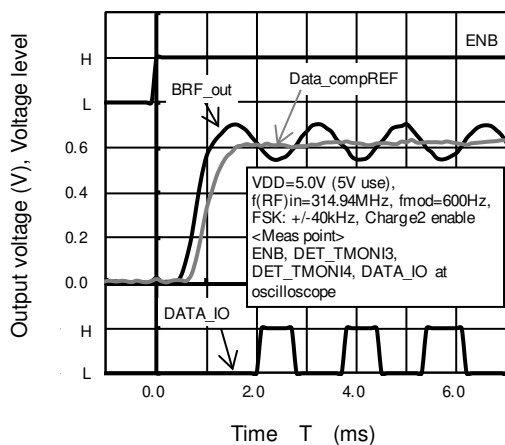
Data Comparator, Response Characteristics of Rise Time ASK (bit rate = 600Hz)



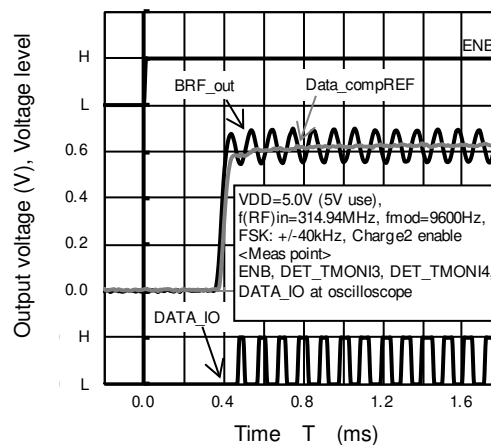
Data Comparator, Response Characteristics of Rise Time ASK (bit rate = 9600Hz)



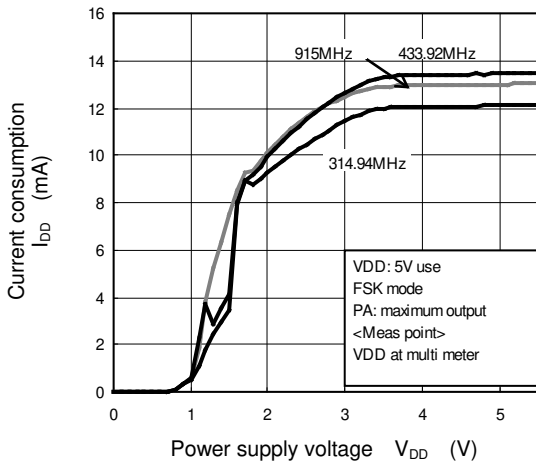
Data comparator, Response Characteristics of Rise Time FSK (bit rate = 600Hz)



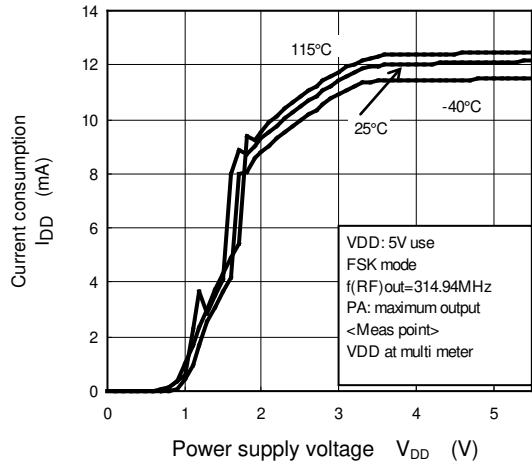
Data comparator, Response Characteristics of Rise Time FSK (bit rate = 9600Hz)



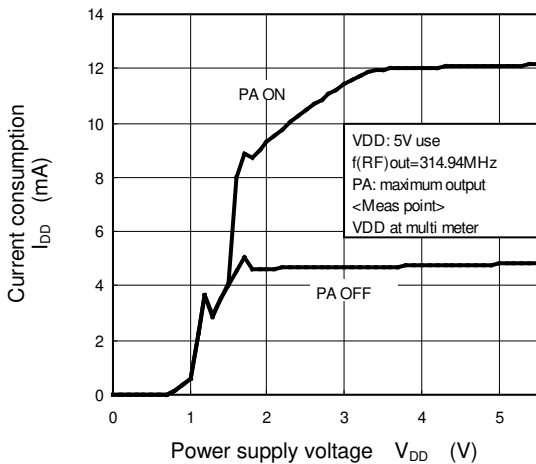
TX Current Consumption vs. Power Supply Voltage Characteristics



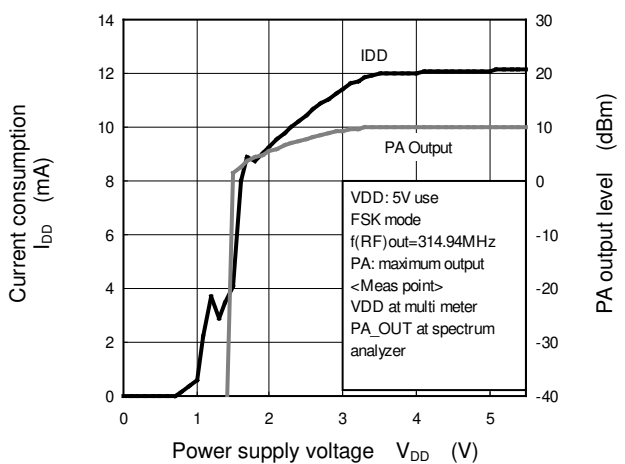
TX Current Consumption vs. Power Supply Voltage Characteristics 314.94MHz



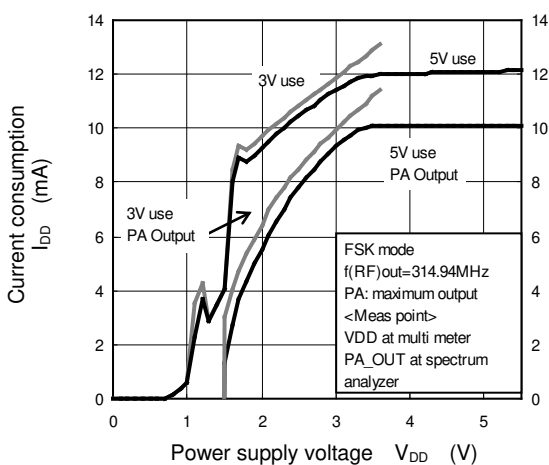
TX Current Consumption vs. Power Supply Voltage Characteristics



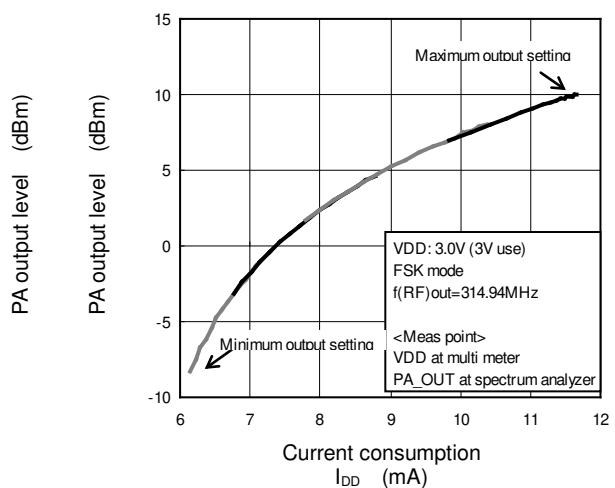
TX Current Consumption vs. Power Supply Voltage Characteristics

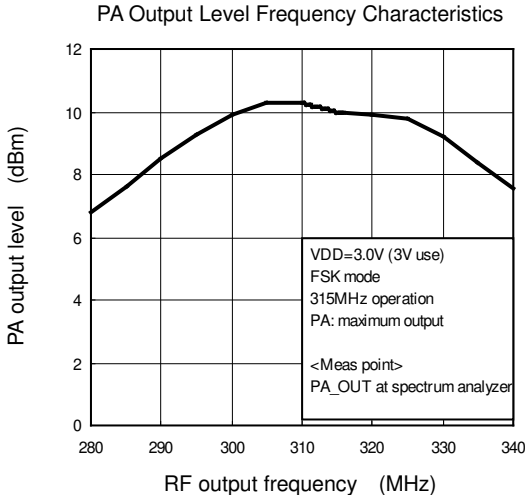


TX Current Consumption vs. Power Supply Voltage Characteristics



PA Output Level Characteristics vs. TX Current Consumption





13. Application Circuits

Toshiba does not guarantee this application circuit example as a production design. Please evaluate carefully when developing the production design for your application.

13.1 Example of Evaluation Circuit

Fig 13-1 is an example of Toshiba's evaluation circuit.

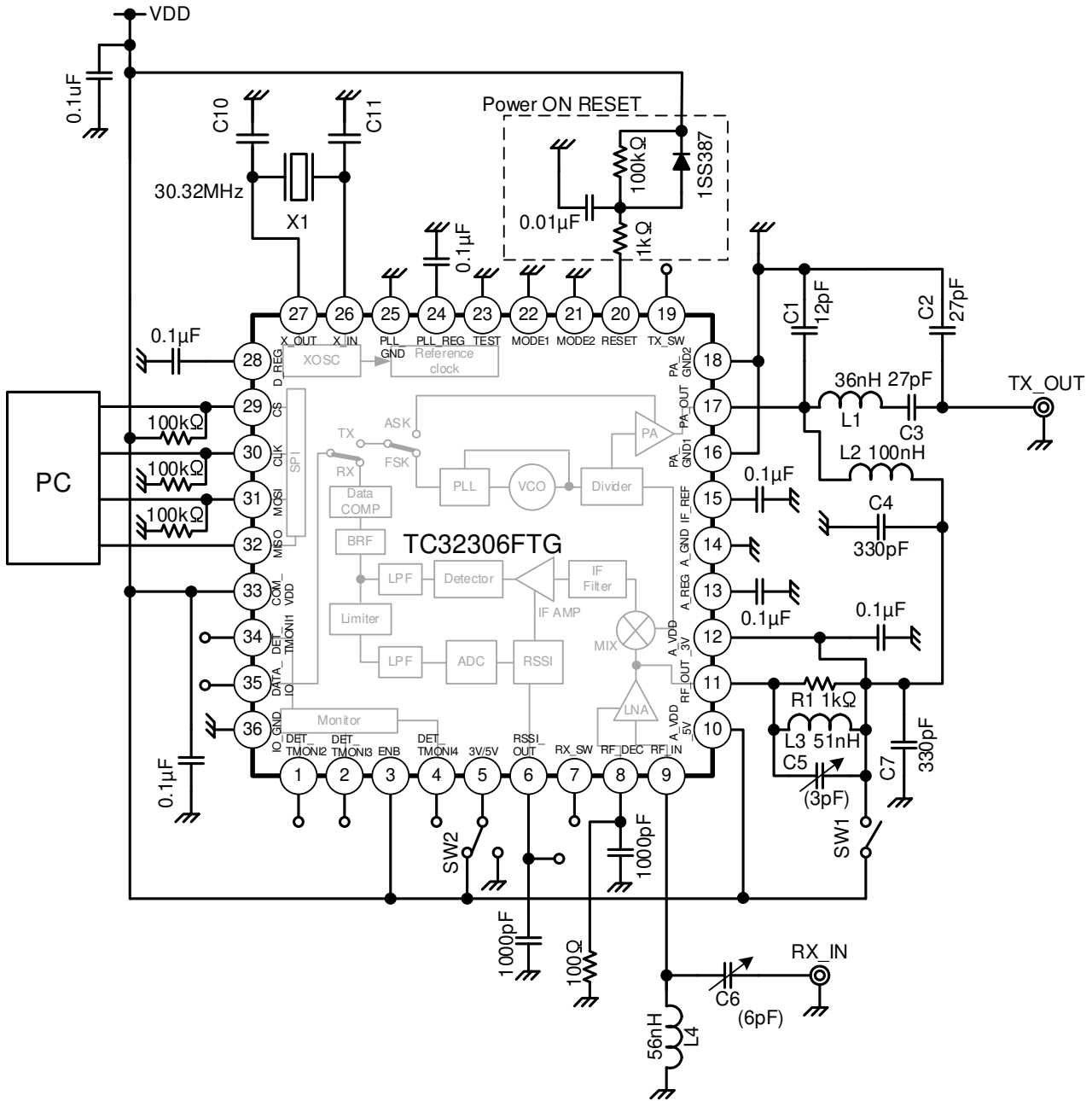


Fig 13-1 Example of Evaluation Circuit

- Above circuit is a 5V use. For 3V use, connect SW2 to low level, and be short circuit in SW1.

- Above circuit is a use for 315MHz and the circuit parts constants are suitable for that frequency. For other frequency use, see Table 13-1.

- Above circuit is SPI Mode and external PC controls to read or write register of TC32306FTG,

- In above circuit, a control of an antenna switch is not use.

- The capacitor C5 and C6 is adjusted by a trimmer capacitor.

Toshiba use capacitors shown in the following, Murata Manufacturing Company, Ltd.

i. TZY2Z060A001 (6pF)

ii. TZY2Z030A001 (3pF)

iii. TZY2Z010A001 (1pF)

- The inductance L1-L4: LQW18 series, Murata Manufacturing Company, Ltd.

- X1:

FCX-04 30.320MHZ-J90842, RIVER ELETEC CORPORATION

C10 =9pF / C11 = 9pF

Or

NX3225SC EXS00A-CS03981 (30.320MHz), NIHON DEMPA KOGYO CO., LTD. C10 = 9pF / C11 = 9pF

Or

CX3225SA30320B0GPQCC, KYOCERA Crystal Device Corporation

C10 =10pF / C11 = 9pF

**Table 13-1 Example of Matching Constants**

Frequency	315MHz	434MHz	915MHz
C1	12pF	10pF	4pF
C2	27pF	20pF	9pF
C3	27pF	18pF	6pF
C4	330pF	330pF	330pF
C5	ii *	ii *	iii *
C6	i *	i *	1pF
C7	330pF	330pF	330pF
L1	36nH	22nH	10nH
L2	100nH	100nH	43nH
L3	51nH	22nH	6.8nH
L4	56nH	33nH	9.1nH
R1	1kΩ	2kΩ	510Ω

\*: usage trimmer capacitor

13.2 Example of Application Circuit 1

Fig 13-2 is an example of application circuit controlled by MCU. (Bidirectional communication / 3V Use)

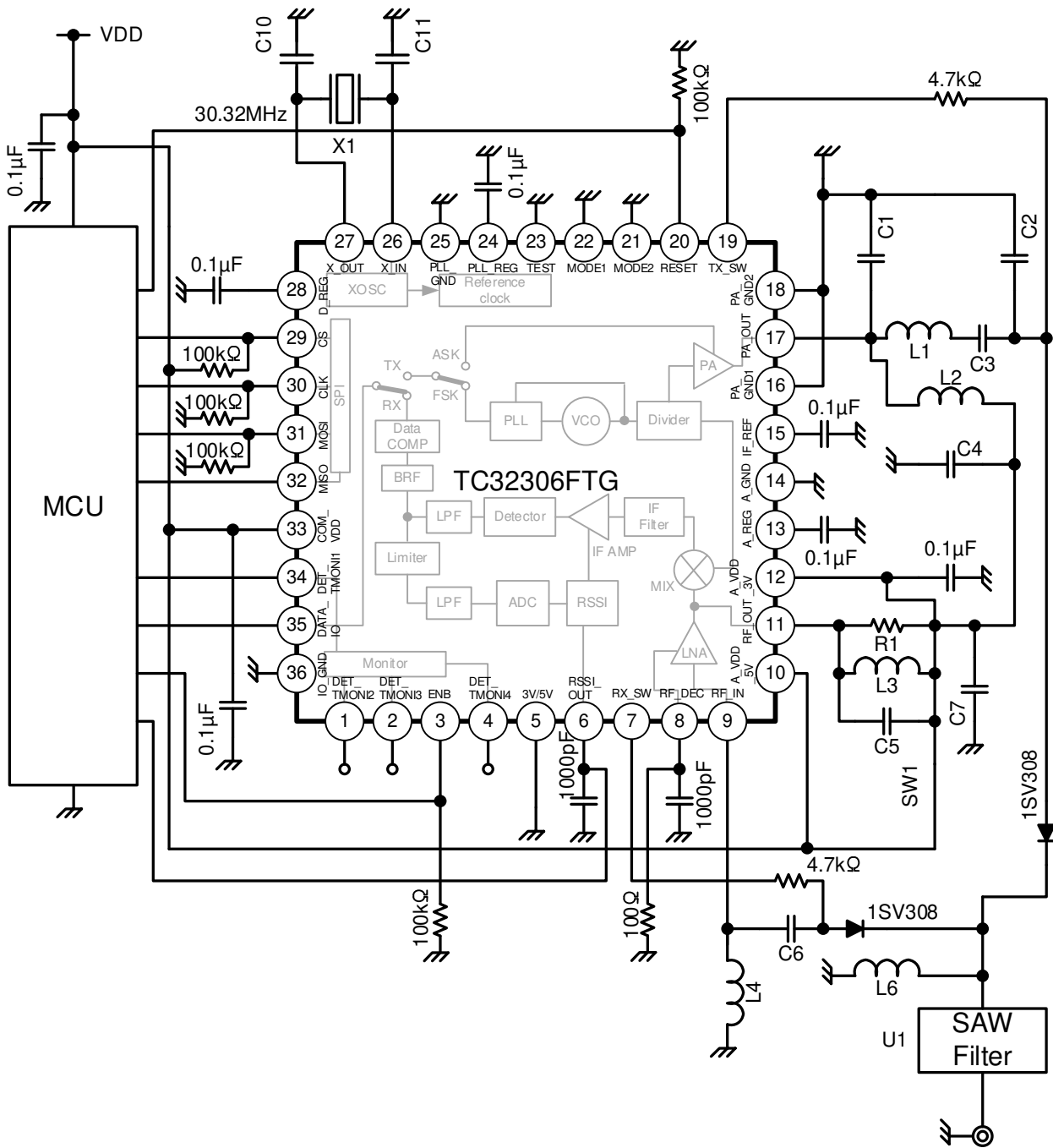


Fig 13-2 Example of Application Circuit 1

- Fig 13-2 is SPI Mode and external MCU I/O is connected to SPI control pins of TC32306FTG,
- Fig 13-2 is 3V Use. For 5V Use, change the voltage supply connections by referring Fig 13-1.
- Do not connect DC voltage except ground to RF\_IN pin.
- MCU also controls RESET pin and ENB pin.
- MCU accepts a signal from DET\_TMONI1 pin as an interrupt signal.
- MCU monitors RSSI\_OUT pin signal.
- The antenna is use for RX and TX, and this IC controls the antenna switch, 1SV308: Toshiba Corporation.
- About resistors, capacitors and coils values in the circuit, consider referring to the evaluation circuit of section 13.1.

13.3 Example of Application Circuit 2

Fig 13-3 is an example of application circuit controlled by MCU. (For receiving only / 3V Use)

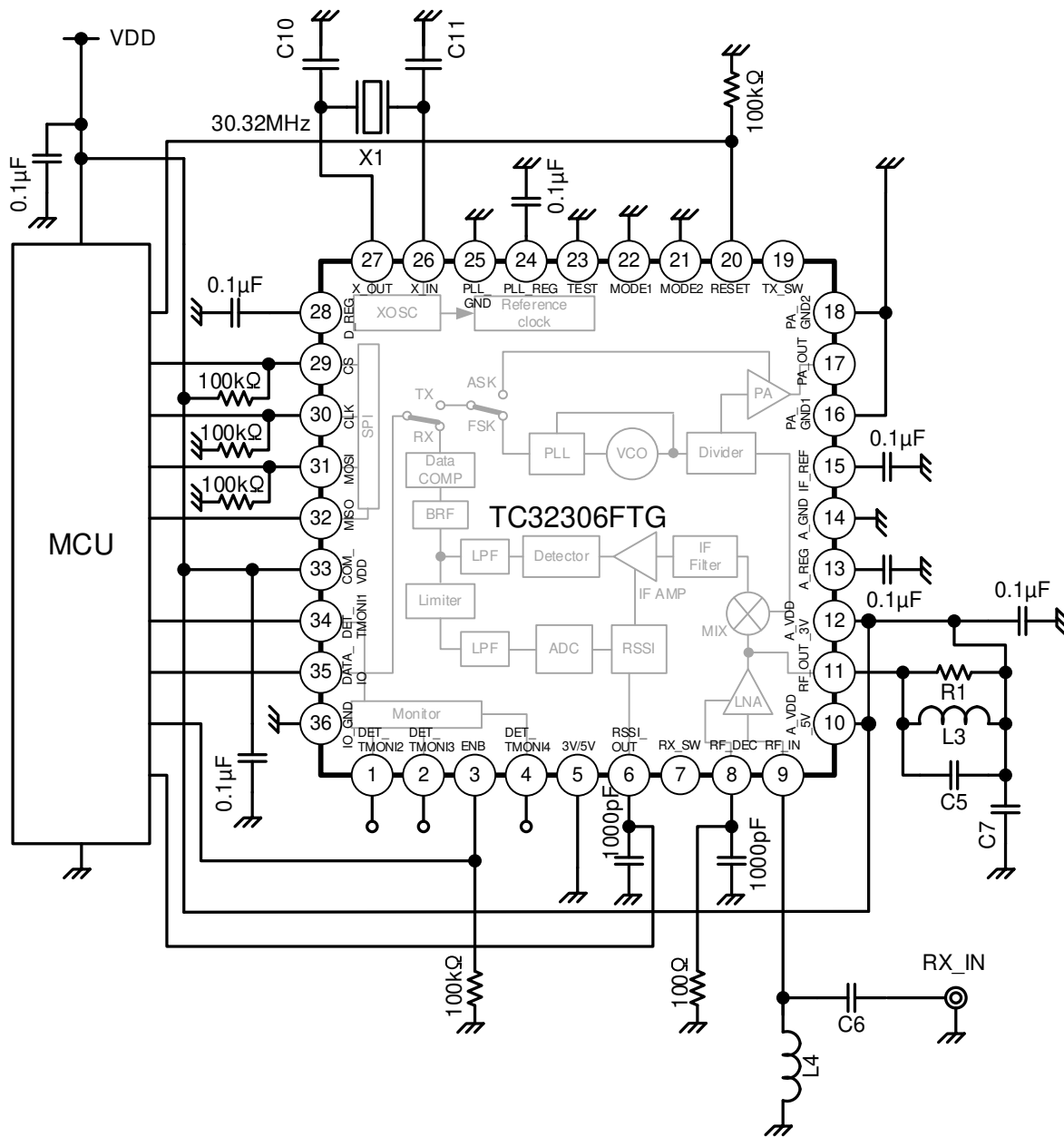


Fig 13-3 Example of Application Circuit 2

- Fig 13-3 is SPI Mode and external MCU I/O is connected to SPI control pins of TC32306FTG,
- Fig 13-3 is 3V Use. For 5V Use, change the voltage supply connections by referring Fig 13-1.
- Do not connect DC voltage except ground to RF\_IN pin.
- PA\_OUT pin is open.
- MCU also controls RESET pin and ENB pin.
- MCU accepts a signal from DET\_TMON1 pin as an interrupt signal.
- MCU monitors RSSI\_OUT pin signal.
- About resistors, capacitors and coils values in the circuit, consider referring to the evaluation circuit of section 13.1.

13.4 Example of Application Circuit 3

Fig 13-4 is an example of application circuit controlled by MCU and EEPROM.  
(Bidirectional communication / 5V Use)

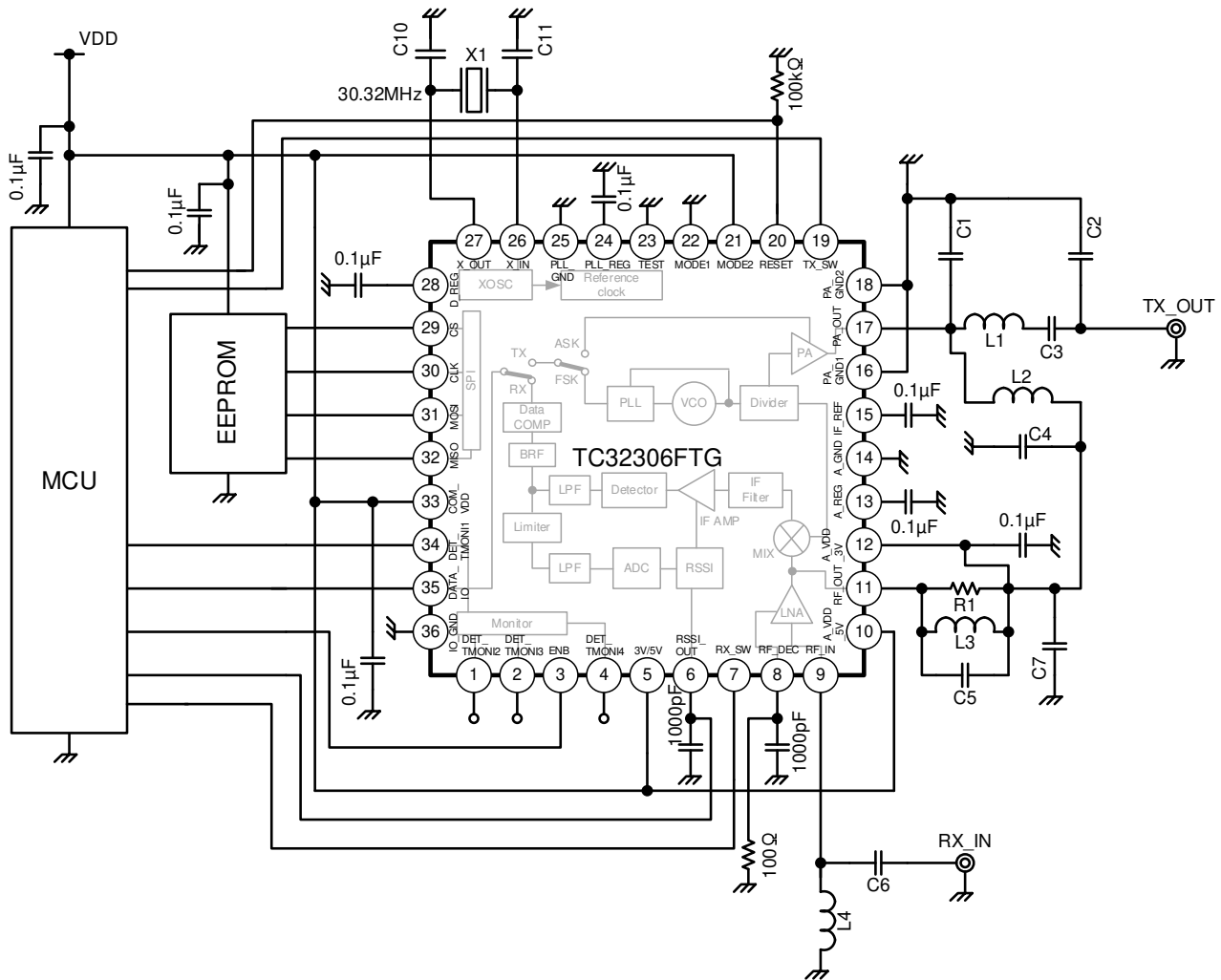


Fig 13-4 Example of Application Circuit 3

- Fig 13-4 is EEPROM Mode and external EEPROM I/O is connected to SPI control pins of TC32306FTG,
  - Fig 13-4 is 5V Use. For 3V Use, change the voltage supply connections by referring Fig 13-1.
  - Do not connect DC voltage except ground to RF\_IN pin.
  - MCU controls RESET pin.
  - MCU controls ENB pin, RX\_SW pin and TX\_SW pin to set configuration of EEPROM.
  - MCU accepts a signal from DET\_TMONI1 pin as an interrupt signal.
  - MCU monitors RSSI\_OUT pin signal.
  - In EEPROM Mode, this IC doesn't prepare antenna switch control.
  - About EEPROM pin termination, see that manual.
- (for example: SPI Serial EEPROM S-25A010A/020A/040A series, Seiko Instruments Inc.)
- About resistors, capacitors and coils values in the circuit, consider referring to the evaluation circuit of section 13.1.



13.5 Example of Application Circuit 4

Fig 13-5 is an example of application circuit only for receiving controlled by MCU and EEPROM.  
(For receiving only / 5V Use)

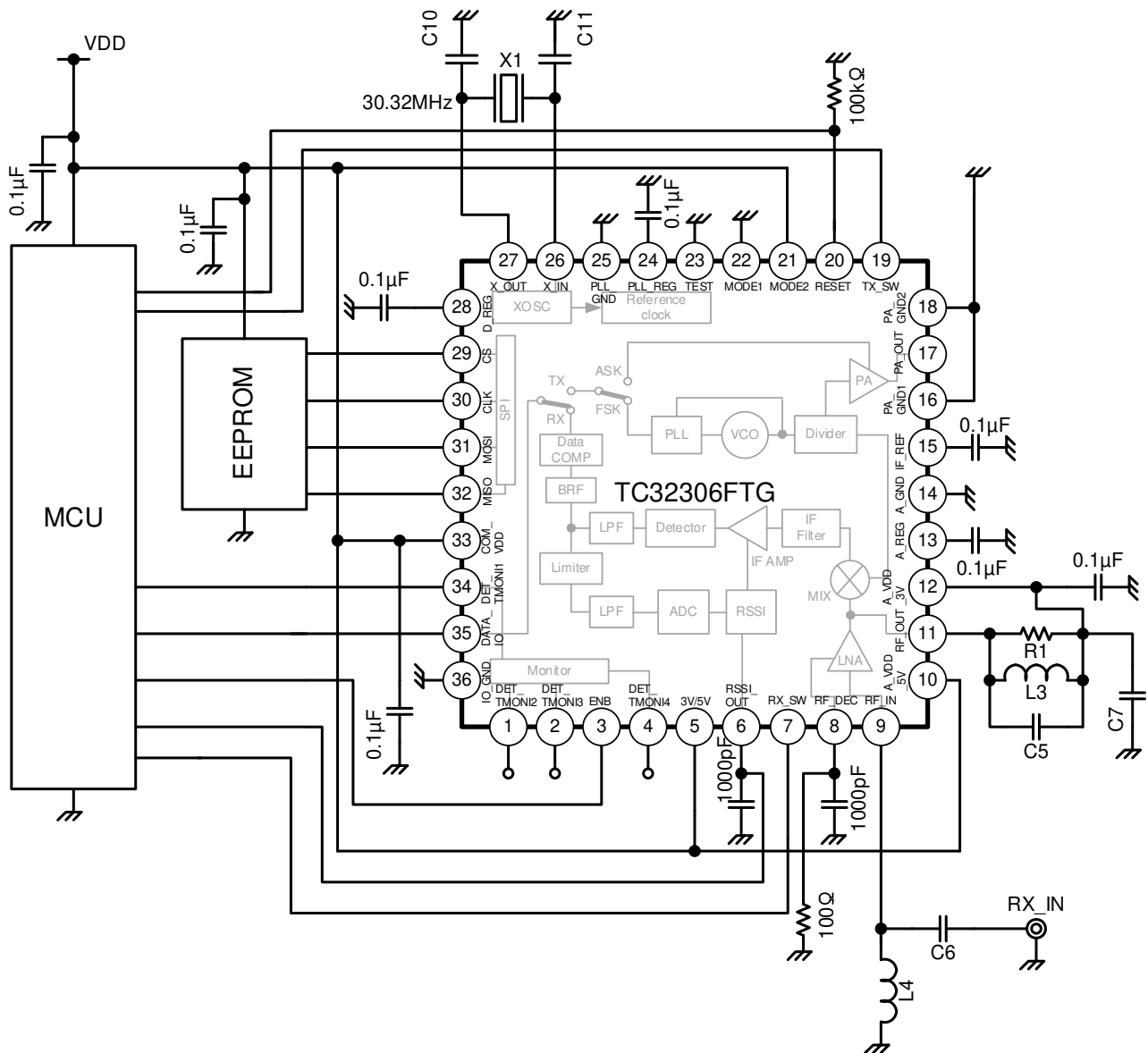
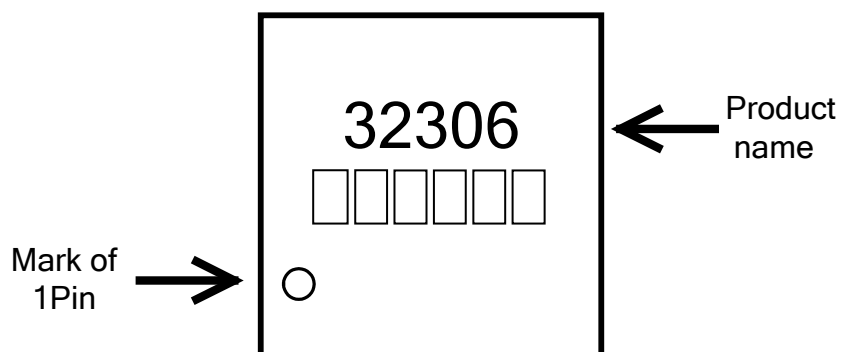


Fig 13-5 Example of Application Circuit 4

- Fig 13-5 is the EEPROM Mode and external EEPROM I/O is connected to SPI control pins of TC32306FTG,
- Fig 13-5 is 5V Use. For 3V Use, change the voltage supply connections by referring Fig 13-1.
- Do not connect DC voltage except ground to RF\_IN pin.
- PA\_OUT pin is open.
- MCU controls RESET pin.
- MCU controls ENB pin, RX\_SW pin and TX\_SW pin to set configuration of EEPROM.
- MCU accepts a signal from DET\_TMONI1 pin as an interrupt signal.
- MCU monitors RSSI\_OUT pin signal.
- In EEPROM Mode, this IC doesn't prepare antenna switch control.
- About EEPROM pin termination, see that manual.
- About resistors, capacitors and coils values in the circuit, consider referring to the evaluation circuit of section 13.1.

## 14. Marking (Top View)



### Lot Code

□ □ □ □ □ □  
1) 2) 3) 4)

- 1) The year of manufacture (1 last figure of the year)
- 2) The week of manufacture ("01" as first week of the year, from 1 to 52 or 53)
- 3) Toshiba factory management code
- 4) Assembly code



## Index

<b>1.</b>	<b>GENERAL DESCRIPTION .....</b>	<b>1</b>
<b>2.</b>	<b>APPLICATIONS .....</b>	<b>1</b>
<b>3.</b>	<b>FEATURES .....</b>	<b>1</b>
<b>4.</b>	<b>BLOCK DIAGRAM .....</b>	<b>2</b>
<b>5.</b>	<b>PIN DESCRIPTION.....</b>	<b>3</b>
5.1	EQUIVALENT CIRCUIT AND FUNCTION .....	3
5.2	PIN BEHAVIORS AT RESET AND REGISTER INITIALIZED .....	10
<b>6.</b>	<b>FUNCTIONAL DESCRIPTION.....</b>	<b>11</b>
6.1	VOLTAGE SUPPLY SETTINGS .....	11
6.1.1	3V Use .....	11
6.1.2	5V Use .....	11
6.1.3	Supply / Ground Connections .....	12
6.2	CONTROL MODE SETTINGS.....	12
6.2.1	SPI Mode Setting and Connection.....	13
6.2.2	EEPROM Mode Setting and Connection .....	13
6.3	UNIVERSAL FUNCTIONS AND SETTINGS.....	14
6.3.1	Reset Status .....	14
6.3.2	Status Control.....	15
6.3.3	Output Drive Settings.....	16
6.3.4	Antenna Switch Control.....	16
6.3.5	Monitoring Control.....	17
6.4	LOCAL OSCILLATOR .....	19
6.4.1	Local Oscillation Abstracts .....	19
6.4.2	Reference Clock.....	19
6.4.3	Local Oscillation .....	19
6.5	RF RECEIVER.....	20
6.5.1	RF-Receiving Abstract.....	20
6.5.2	Receiving Frequency Band.....	21
6.5.3	Receiver Gain.....	21
6.5.4	IF Frequency.....	22
6.5.5	Demodulation.....	22
6.5.6	FSK Demodulation .....	22
6.5.7	ASK Demodulation .....	26
6.5.8	Bit Rate Filter.....	27
6.5.9	Data Comparator.....	27
6.6	RF TRANSMITTER .....	29
6.6.1	RF-Transmitting Abstract.....	30
6.6.2	RF Signal Modulation .....	30
6.6.3	FSK Modulation.....	30
6.6.4	ASK Modulation .....	31
6.6.5	TX Output .....	31
6.7	CONTROL SYSTEM AND MODE.....	33
6.7.1	Control System and Mode Abstract.....	33
6.7.2	SPI Mode .....	33
6.7.3	SPI Control Data Format.....	34
6.7.4	SPI Single Read/Write.....	35
6.7.5	SPI Burst Read/Write.....	36
6.7.6	SPI Mode Signal Timings.....	38
6.7.7	EEPROM Mode.....	39
6.7.8	EEPROM Control Data Format.....	40
6.7.9	EEPROM Mode Signal Timings .....	42
6.8	USER TEST.....	43

6.9	STATUS TRANSITION .....	45
6.9.1	Power On → Battery Saving → Run .....	46
6.9.2	Transition in Run Status (RX → TX → RX).....	50
6.9.3	Run → Battery Saving .....	51
6.9.4	AutoOff Function .....	51
6.9.5	Change Settings during Run .....	53
6.10	REGISTER OVERVIEW & DESCRIPTION .....	54
6.10.1	h'09 Software Reset.....	58
6.10.2	h'0A General Settings .....	58
6.10.3	h'0B VCO Frequency Settings 1.....	59
6.10.4	h'0C VCO Frequency Settings 2.....	60
6.10.5	h'0D Delay & Drive Functions.....	61
6.10.6	h'0E LNA, IF Filter, BRF Settings.....	61
6.10.7	h'0F RX Function Settings 1.....	62
6.10.8	h'10 RX Function Settings 2.....	63
6.10.9	h'11 Charge2 Threshold Setting.....	64
6.10.10	h'12 TX Deviation Setting.....	64
6.10.11	h'13 TX PA Settings.....	65
6.10.12	h'14 Monitor Settings1.....	66
6.10.13	h'15 Monitor Settings2.....	67
6.10.14	h'16 RSSI Threshold Setting .....	68
6.10.15	h'17 Preamble Detector Setting 1.....	68
6.10.16	h'18 Preamble Detector Settings 2.....	68
6.10.17	h'19 Noise Detector Threshold Setting .....	69
6.10.18	h'1A Signal Detector Settings.....	70
6.10.19	h'1B Data Comparator Settings .....	71
6.10.20	h'1C Peak Hold Settings .....	73
6.10.21	h'1D AutoOff Type B Setting .....	74
6.10.22	h'1E Signal Detect and Lock Detect Monitors.....	74
6.10.23	h'1F Peak Hold Level Monitor.....	75
6.10.24	h'20 Data Comparator Monitor 1 .....	75
6.10.25	h'21 Data Comparator Monitor 2 .....	75
6.10.26	h'22 RSSI Level Monitor.....	76
6.10.27	h'23 Noise Signal Level Monitor .....	76
7.	ABSOLUTE MAXIMUM RATINGS .....	77
8.	OPERATING RANGE.....	78
9.	ELECTRICAL DATA .....	78
10.	REFERENCE CHARACTERISTICS DATA .....	81
11.	TYPICAL TEST CIRCUIT.....	83
12.	REFERENCE DATA .....	86
13.	APPLICATION CIRCUITS.....	92
13.1	EXAMPLE OF EVALUATION CIRCUIT.....	92
13.2	EXAMPLE OF APPLICATION CIRCUIT 1 .....	94
13.3	EXAMPLE OF APPLICATION CIRCUIT 2 .....	95
13.4	EXAMPLE OF APPLICATION CIRCUIT 3 .....	96
13.5	EXAMPLE OF APPLICATION CIRCUIT 4 .....	97
14.	MARKING (TOP VIEW) .....	98
15.	PACKAGE DIMENSIONS .....	99
	<b>RESTRICTIONS ON PRODUCT USE.....</b>	<b>102</b>

## RESTRICTIONS ON PRODUCT USE

- Toshiba Corporation, and its subsidiaries and affiliates (collectively "TOSHIBA"), reserve the right to make changes to the information in this document, and related hardware, software and systems (collectively "Product") without notice.
- This document and any information herein may not be reproduced without prior written permission from TOSHIBA. Even with TOSHIBA's written permission, reproduction is permissible only if reproduction is without alteration/omission.
- Though TOSHIBA works continually to improve Product's quality and reliability, Product can malfunction or fail. Customers are responsible for complying with safety standards and for providing adequate designs and safeguards for their hardware, software and systems which minimize risk and avoid situations in which a malfunction or failure of Product could cause loss of human life, bodily injury or damage to property, including data loss or corruption. Before customers use the Product, create designs including the Product, or incorporate the Product into their own applications, customers must also refer to and comply with (a) the latest versions of all relevant TOSHIBA information, including without limitation, this document, the specifications, the data sheets and application notes for Product and the precautions and conditions set forth in the "TOSHIBA Semiconductor Reliability Handbook" and (b) the instructions for the application with which the Product will be used with or for. Customers are solely responsible for all aspects of their own product design or applications, including but not limited to (a) determining the appropriateness of the use of this Product in such design or applications; (b) evaluating and determining the applicability of any information contained in this document, or in charts, diagrams, programs, algorithms, sample application circuits, or any other referenced documents; and (c) validating all operating parameters for such designs and applications. **TOSHIBA ASSUMES NO LIABILITY FOR CUSTOMERS' PRODUCT DESIGN OR APPLICATIONS.**
- **PRODUCT IS NEITHER INTENDED NOR WARRANTED FOR USE IN EQUIPMENTS OR SYSTEMS THAT REQUIRE EXTRAORDINARILY HIGH LEVELS OF QUALITY AND/OR RELIABILITY, AND/OR A MALFUNCTION OR FAILURE OF WHICH MAY CAUSE LOSS OF HUMAN LIFE, BODILY INJURY, SERIOUS PROPERTY DAMAGE AND/OR SERIOUS PUBLIC IMPACT ("UNINTENDED USE").** Except for specific applications as expressly stated in this document, Unintended Use includes, without limitation, equipment used in nuclear facilities, equipment used in the aerospace industry, medical equipment, equipment used for automobiles, trains, ships and other transportation, traffic signaling equipment, equipment used to control combustions or explosions, safety devices, elevators and escalators, devices related to electric power, and equipment used in finance-related fields. **IF YOU USE PRODUCT FOR UNINTENDED USE, TOSHIBA ASSUMES NO LIABILITY FOR PRODUCT.** For details, please contact your TOSHIBA sales representative.
- Do not disassemble, analyze, reverse-engineer, alter, modify, translate or copy Product, whether in whole or in part.
- Product shall not be used for or incorporated into any products or systems whose manufacture, use, or sale is prohibited under any applicable laws or regulations.
- The information contained herein is presented only as guidance for Product use. No responsibility is assumed by TOSHIBA for any infringement of patents or any other intellectual property rights of third parties that may result from the use of Product. No license to any intellectual property right is granted by this document, whether express or implied, by estoppel or otherwise.
- **ABSENT A WRITTEN SIGNED AGREEMENT, EXCEPT AS PROVIDED IN THE RELEVANT TERMS AND CONDITIONS OF SALE FOR PRODUCT, AND TO THE MAXIMUM EXTENT ALLOWABLE BY LAW, TOSHIBA (1) ASSUMES NO LIABILITY WHATSOEVER, INCLUDING WITHOUT LIMITATION, INDIRECT, CONSEQUENTIAL, SPECIAL, OR INCIDENTAL DAMAGES OR LOSS, INCLUDING WITHOUT LIMITATION, LOSS OF PROFITS, LOSS OF OPPORTUNITIES, BUSINESS INTERRUPTION AND LOSS OF DATA, AND (2) DISCLAIMS ANY AND ALL EXPRESS OR IMPLIED WARRANTIES AND CONDITIONS RELATED TO SALE, USE OF PRODUCT, OR INFORMATION, INCLUDING WARRANTIES OR CONDITIONS OF MERCHANTABILITY, FITNESS FOR A PARTICULAR PURPOSE, ACCURACY OF INFORMATION, OR NONINFRINGEMENT.**
- Do not use or otherwise make available Product or related software or technology for any military purposes, including without limitation, for the design, development, use, stockpiling or manufacturing of nuclear, chemical, or biological weapons or missile technology products (mass destruction weapons). Product and related software and technology may be controlled under the applicable export laws and regulations including, without limitation, the Japanese Foreign Exchange and Foreign Trade Law and the U.S. Export Administration Regulations. Export and re-export of Product or related software or technology are strictly prohibited except in compliance with all applicable export laws and regulations.
- Please contact your TOSHIBA sales representative for details as to environmental matters such as the RoHS compatibility of Product. Please use Product in compliance with all applicable laws and regulations that regulate the inclusion or use of controlled substances, including without limitation, the EU RoHS Directive. **TOSHIBA ASSUMES NO LIABILITY FOR DAMAGES OR LOSSES OCCURRING AS A RESULT OF NONCOMPLIANCE WITH APPLICABLE LAWS AND REGULATIONS.**