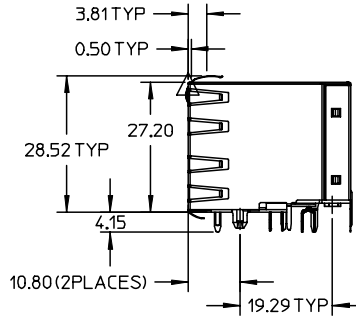
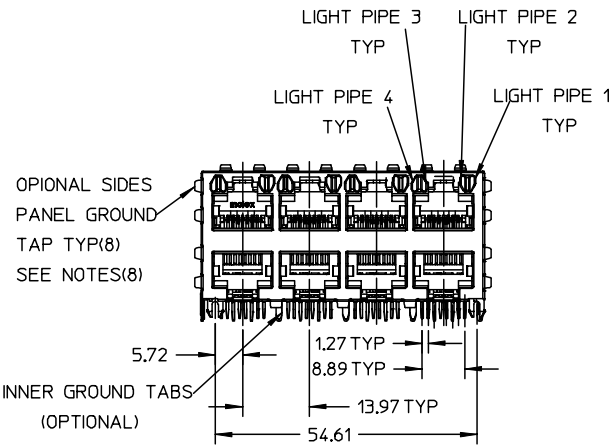
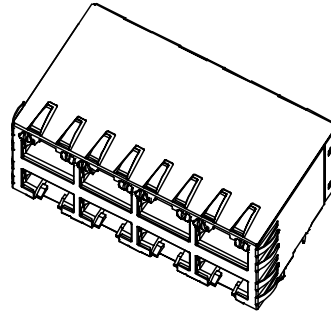
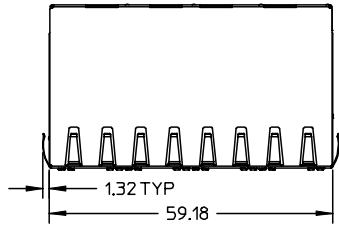


| ASSEMBLY MATERIAL No. | No. OF PORTS | PEG STYLE | DIM-A | DIM-B | SIDE PANEL GROUND TABS | INNER GROUND TABS |
|-----------------------|--------------|-----------|--------|--------|------------------------|-------------------|
| 67838-0001 | 8 (2X4) | SNAP-FIT | 59.18 | 53.34 | YES | YES |
| 67838-2001 | 8 (2X4) | SNAP-FIT | 59.18 | 53.34 | NO | YES |
| 67838-3001 | 8 (2X4) | SNAP-FIT | 59.18 | 53.34 | YES | NO |
| 67838-4001 | 8 (2X4) | SNAP-FIT | 59.18 | 53.34 | NO | NO |
| 67838-0004 | 8 (2X4) | PRESS-FIT | 59.18 | 53.34 | YES | YES |
| 67838-2004 | 8 (2X4) | PRESS-FIT | 59.18 | 53.34 | NO | YES |
| 67838-3004 | 8 (2X4) | PRESS-FIT | 59.18 | 53.34 | YES | NO |
| 67838-4004 | 8 (2X4) | PRESS-FIT | 59.18 | 53.34 | NO | NO |
| 67838-0002 | 12(2X6) | SNAP-FIT | 87.12 | 81.28 | YES | YES |
| 67838-2002 | 12(2X6) | SNAP-FIT | 87.12 | 81.28 | NO | YES |
| 67838-3003 | 12(2X6) | SNAP-FIT | 87.12 | 81.28 | YES | NO |
| 67838-4002 | 12(2X6) | SNAP-FIT | 87.12 | 81.28 | NO | NO |
| 67838-0005 | 12(2X6) | PRESS-FIT | 87.12 | 81.28 | YES | YES |
| 67838-2005 | 12(2X6) | PRESS-FIT | 87.12 | 81.28 | NO | YES |
| 67838-3005 | 12(2X6) | PRESS-FIT | 87.12 | 81.28 | YES | NO |
| 67838-4005 | 12(2X6) | PRESS-FIT | 87.12 | 81.28 | NO | NO |
| 67838-0003 | 16(2X8) | SNAP-FIT | 115.06 | 109.22 | YES | YES |
| 67838-2002 | 16(2X8) | SNAP-FIT | 115.06 | 109.22 | NO | YES |
| 67838-3003 | 16(2X8) | SNAP-FIT | 115.06 | 109.22 | YES | NO |
| 67838-4003 | 16(2X8) | SNAP-FIT | 115.06 | 109.22 | NO | NO |
| 67838-0006 | 16(2X8) | PRESS-FIT | 115.06 | 109.22 | YES | YES |
| 67838-2006 | 16(2X8) | PRESS-FIT | 115.06 | 109.22 | NO | YES |
| 67838-3006 | 16(2X8) | PRESS-FIT | 115.06 | 109.22 | YES | NO |
| 67838-4006 | 16(2X8) | PRESS-FIT | 115.06 | 109.22 | NO | NO |

- NOTES:
- MATERIAL:
 - HOUSING: POLYESTER(PBT), GLASS FILLED,UL94V-0.COLOR: BLACK.
 - LIGHT PIPES: POLYCARBONATE,UL94V-0. COLOR: CLEAR.
 - TERMINALS: PHOSPHOR BRONZE.
 - SHIELD: BRASS.
 - PLATING:
 - TERMINALS: 50u" MIN. GOLD PLATE AND 50u" MIN.TIN-LEAD PLATE OVER 50u" MIN. NICKEL UNDERPLATE.
 - SHIELD: SELECTIVE 50u" MIN. TIN-LEAD PLATE AT SOLDERING TAILS OVER 50u" MIN. NICKEL UNDERPLATE.
 - PRODUCT SPECIFICATION: PS-67838-002.
 - PACKAGING: CONNECTOR ASSEMBLE IN THERMOFORMED TRAY.
 - CONNECTORS AVAILABLE WITH EITHER SNAP-FIT OR PRESS-FIT PEGS.
 - CONFORMS TO FCC REGULATION PART 68.5 FOR MODULAR JACKS.
 - P.C.B LAYOUT SHOWN AS RECOMMEND LAYOUT (SHEET 2).
 - AVAILABLE WITH THE (8) PANEL GROUND TABS REMOVE ON EACH SIDE FOR SIDE TO SIDE STACKABILITY.
 - TERMINAL LENGTH MAY BE DIFFERENT FROM TERMINAL TO TERMINAL.

| | | | | | | | | |
|---|-----------------|-------------------------------|---------------------------------------|-------------|---------------------|--------------------------|--|--|
| NEW RELEASE EC NO: SH2003-0013 DRWN: GRMA CHK: CHIK APPR: SHUANG | REV DESCRIPTION | QUALITY SYMBOLS | GENERAL TOLERANCES (UNLESS SPECIFIED) | SCALE 1:1 | DESIGN UNITS METRIC | THIRD ANGLE PROJECTION | REVISE ON CAD ONLY | |
| | | ▼ -0 ▽ -0 | mm | INCH | DIMENSION STYLE | | TITLE STACKED MODULAR JACK WITH LIGHT PIPES | |
| | | | 4 PLACES ± --- | ± --- | MM ONLY | | | |
| | | | 3 PLACES ± --- | ± --- | DRAWN BY | DATE | | |
| | | 2 PLACES ± 0.25 | ± --- | GRATE MA | 2003/04/18 | MOLEX MOLEX INCORPORATED | | |
| | | 1 PLACE ± 0.3 | ± --- | CHECKED BY | DATE | MATERIAL NO. | DOCUMENT NO. | |
| | | ANGULAR ± 1/2 ° | | YAJUN | 2003/04/18 | SEE CHART | SD-67838-001 | |
| | | DRAFT WHERE APPLICABLE | | APPROVED BY | DATE | SHEET NO. | | |
| | | MUST REMAIN WITHIN DIMENSIONS | | SAM | 2003/04/18 | 1 OF 4 | | |
| THIS DRAWING CONTAINS INFORMATION THAT IS PROPRIETARY TO MOLEX INCORPORATED AND SHOULD NOT BE USED WITHOUT WRITTEN PERMISSION | | | | | | | | |



NOTES:

1.MATERIAL:

HOUSING: POLYESTER(PBT), GLASS FILLED,UL94V-0.COLOR: BLACK.
 LIGHT PIPES: POLYCARBONATE,UL94V-0.COLOR: CLEAR.
 TERMINALS: PHOSPHOR BRONZE.
 SHIELD: BRASS.

2.PLATING:

TERMINALS: 50u" MIN. GOLD PLATE AND 50u" MIN.TIN-LEAD PLATE OVER 50u" MIN. NICKEL UNDERPLATE.
 SHIELD: SELECTIVE 50u" MIN. TIN-LEAD PLATE AT SOLDERING TAILS OVER 50u" MIN. NICKEL UNDERPLATE.

3.PRODUCT SPECIFICATION: PS-67838-002.

4.PACKAGING: CONNECTOR ASSEMBLY IN THERMOFORMED TRAY.

5.CONNECTORS AVAILABLE WITH PRESS-FIT PEGS ONLY.

6.CONFORMS TO FCC REGULATION PART 68.5 FOR MODULAR JACKS.

7.P.C.B LAYOUT SHOWN AS RECOMMEND LAYOUT (SHEET 4).

8.AVAILABLE WITH THE (8) PANEL GROUND TABS REMOVE ON EACH SIDE FOR SIDE TO SIDE STACKABILITY.

9.TERMINAL LENGTH MAY BE DIFFERENT FROM TERMINAL TO TERMINAL.

| ASSEMBLY MATERIAL NO. | NO. OF PORTS | PEGS STYLE | SIDE PANEL GROUND TABS | INNER SHIELD GROUND TABS |
|-----------------------|--------------|------------|------------------------|--------------------------|
| 67838-0104 | 8(2X4) | SNAP-FIT | YES | YES |
| 67838-3104 | 8(2X4) | SNAP-FIT | NO | YES |
| 67838-3104 | 8(2X4) | SNAP-FIT | YES | NO |
| 67838-4104 | 8(2X4) | SNAP-FIT | NO | NO |

NEW RELEASE
 EC NO: SH2003-0013
 DRWN:GRMA 2003/04/16
 CHKD: 2003/04/17
 APPR: SHUANG 2003/04/17

| QUALITY SYMBOLS | DESCRIPTION |
|-----------------|-------------|
| ▽ = 0 | |
| ▽ = 0 | |

| | GENERAL TOLERANCES (UNLESS SPECIFIED) | |
|-------------------------------|---------------------------------------|-------|
| | mm | INCH |
| 4 PLACES | ± --- | ± --- |
| 3 PLACES | ± --- | ± --- |
| 2 PLACES | ± 0.25 | ± --- |
| 1 PLACE | ± 0.3 | ± --- |
| ANGULAR ±1/2° | | |
| DRAFT WHERE APPLICABLE | | |
| MUST REMAIN WITHIN DIMENSIONS | | |

| SCALE | DESIGN UNITS |
|-----------------|--------------|
| 1:1 | METRIC |
| DIMENSION STYLE | |
| MM ONLY | |
| DRAWN BY | DATE |
| GRATE MA | 2003/04/18 |
| CHECKED BY | DATE |
| YAJUN | 2003/04/18 |
| APPROVED BY | DATE |
| SAM | 2003/04/18 |

| THIRD ANGLE PROJECTION | REVISE ON CAD ONLY |
|---|---------------------|
| TITLE | |
| STACKED MODULAR JACK WITH LIGHT PIPES | |
| MATERIAL NO. DOCUMENT NO. SHEET NO. | |
| SEE CHART | SD-67838-001 3 OF 4 |
| THIS DRAWING CONTAINS INFORMATION THAT IS PROPRIETARY TO MOLEX INCORPORATED AND SHOULD NOT BE USED WITHOUT WRITTEN PERMISSION | |

