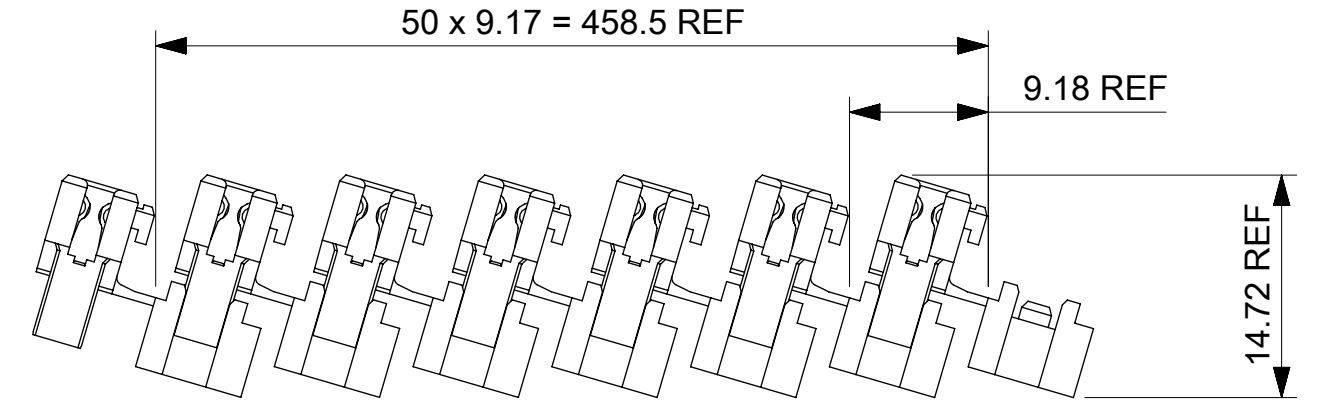
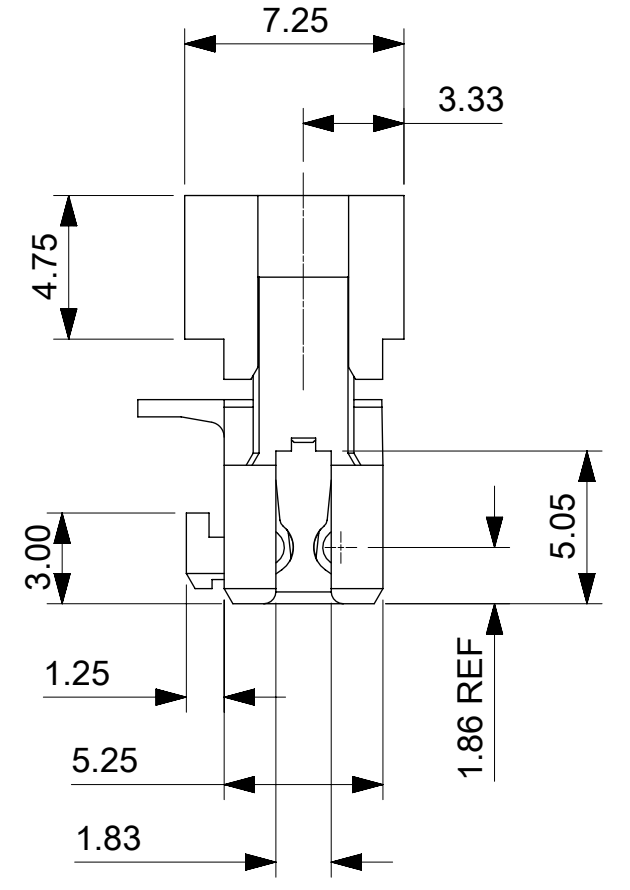
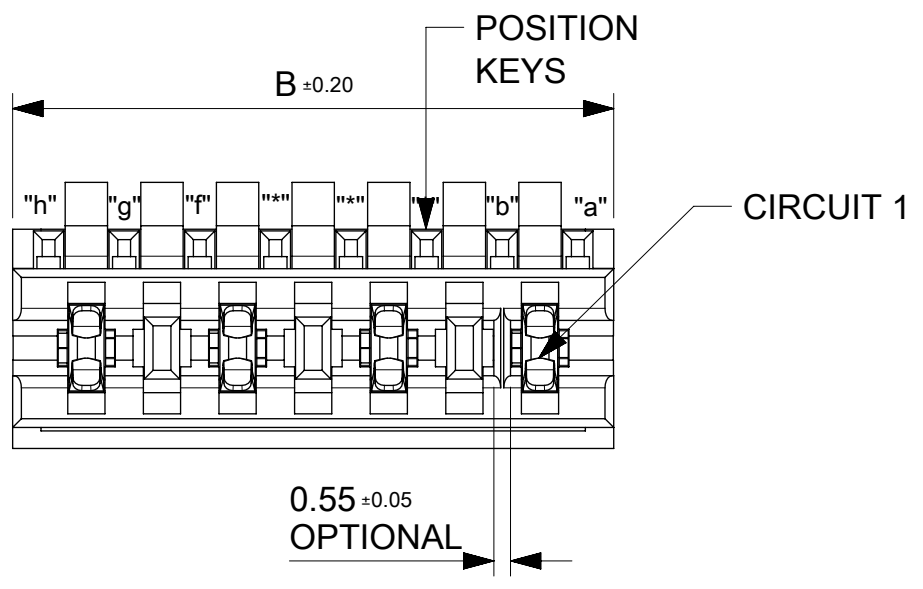
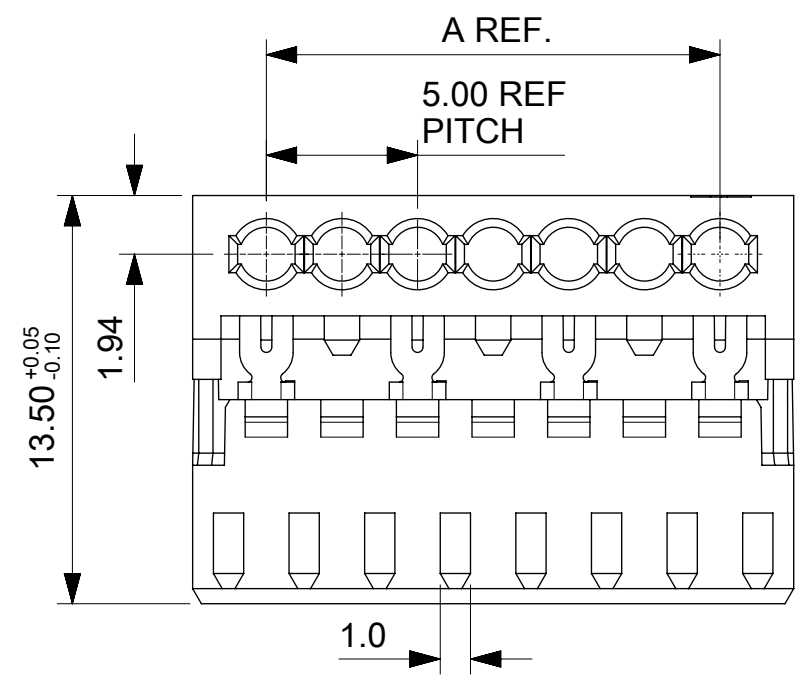
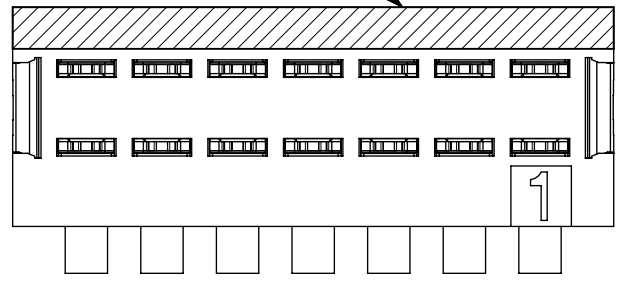
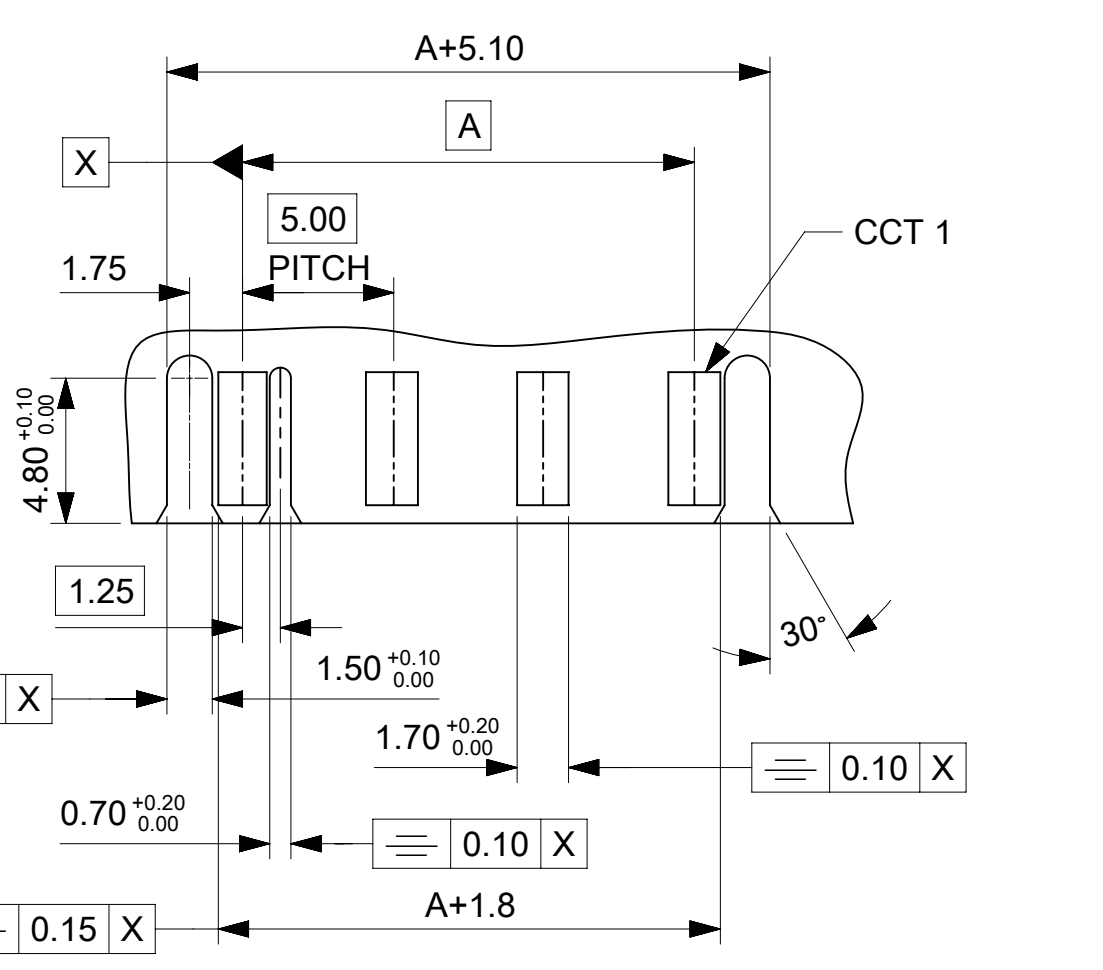


POSITION OF COLOUR STRIPE (see note 3)

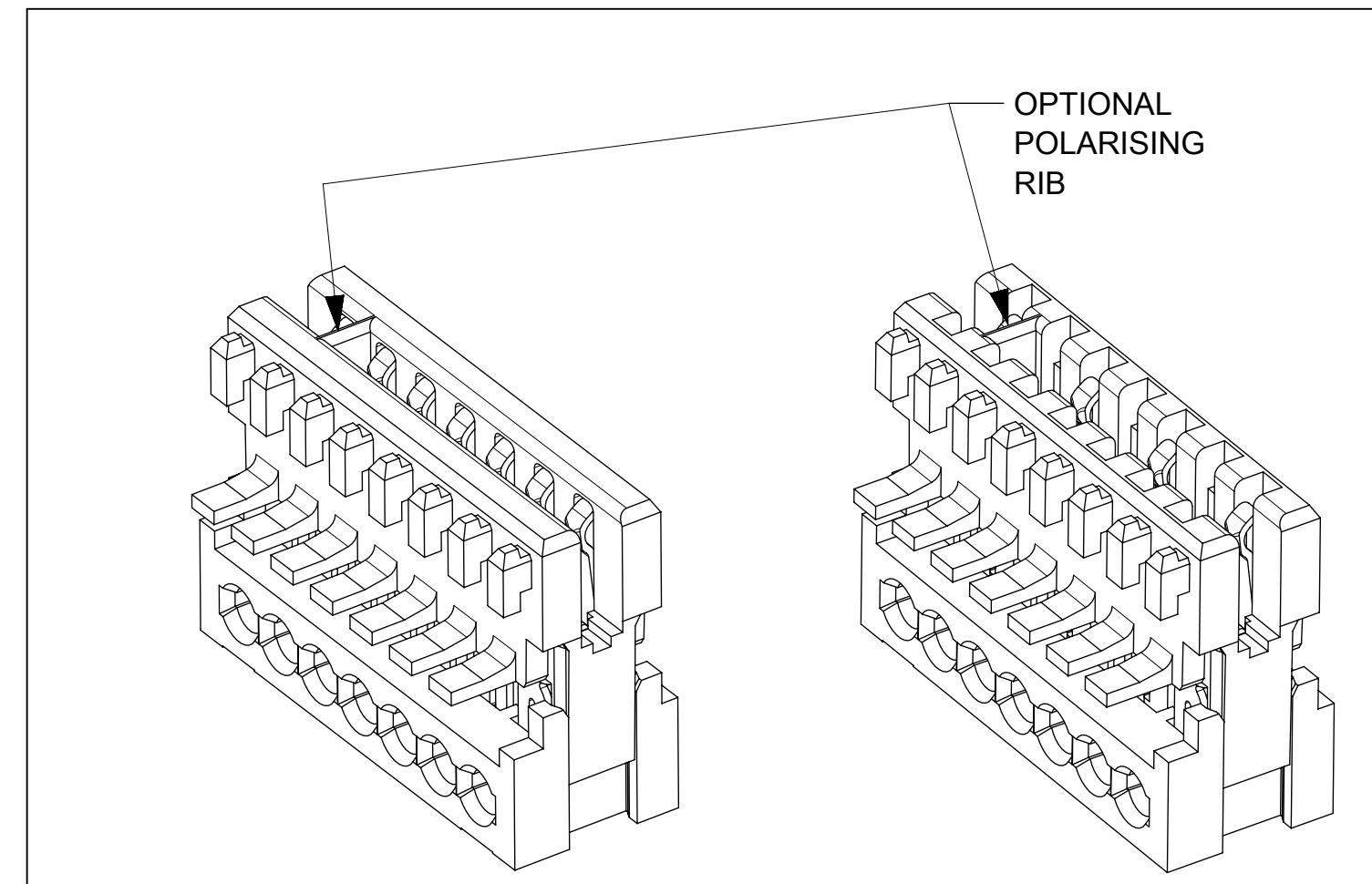


SHIPPING ARRANGEMENT

CCT	A	B
2	5	9.875
3	10	14.875
4	15	19.875
5	20	24.875
6	25	29.875
7	30	34.875
8	35	39.875
9	40	44.875
10	45	49.875



- PCB LAYOUT FOR 4CCT (5mm) CONNECTOR (WITH OPTIONAL POSITIONAL RIB SLOT BETWEEN CCT 1 & 2)
 - RECOMMENDED PCB THICKNESS 1.5±0.14



OPEN END WALLS WITH ZEUS OPTION.

OPEN END WALLS OPTION.

- NOTES:
- REFER TO PRODUCT SPECIFICATION: PS-99020-0040.
 - MATERIAL: HOUSING - POLYAMIDE (PA6) 89992-1895 UL94-V2, COLOUR: NATURAL. TERMINAL: PHOSPHOR BRONZE 0.30 REF. THICK - PLATING HOT TIN DIP.
 - COLOUR STRIPE IS OPTIONAL. AVAILABLE IN THE FOLLOWING COLOURS: RED, GREEN, BLUE, ORANGE, BLACK, YELLOW, BROWN AND VIOLET. (BLACK SIGNIFIES CUSTOMER SPECIFIC CONFIGURATION).
 - REFER TO PACKAGING SPEC (PK-90871-001)
 - REFER TO APPLICATION SPEC (990330008 AS)

THIS DRAWING CONTAINS INFORMATION THAT IS PROPRIETARY TO MOLEX ELECTRONIC TECHNOLOGIES, LLC AND SHOULD NOT BE USED WITHOUT WRITTEN PERMISSION									
DIMENSION UNITS		SCALE		CURRENT REV DESC:					
mm		4:1							
GENERAL TOLERANCES (UNLESS SPECIFIED)				EC NO: 736941					
ANGULAR TOL ± 0.5°				DRWN: SHRUTJ		2022/11/17			
4 PLACES ±				CHK'D: RAHULH3		2023/02/06			
3 PLACES ± 0.05				APPR: MRAMAKRISHNA		2023/02/06			
2 PLACES ± 0.1				INITIAL REVISION:					
1 PLACE ± 0.2				DRWN: CFISHER01		2016/01/18			
0 PLACES ±				APPR: MSHANAHAN		2016/03/25			
DRAFT WHERE APPLICABLE MUST REMAIN WITHIN DIMENSIONS		THIRD ANGLE PROJECTION		DRAWING		SERIES		MATERIAL NUMBER	
				A2-SIZE		93465		SEE SHEET 4-5	
DOCUMENT STATUS				P1		RELEASE DATE		2023/02/06 11:17:27	

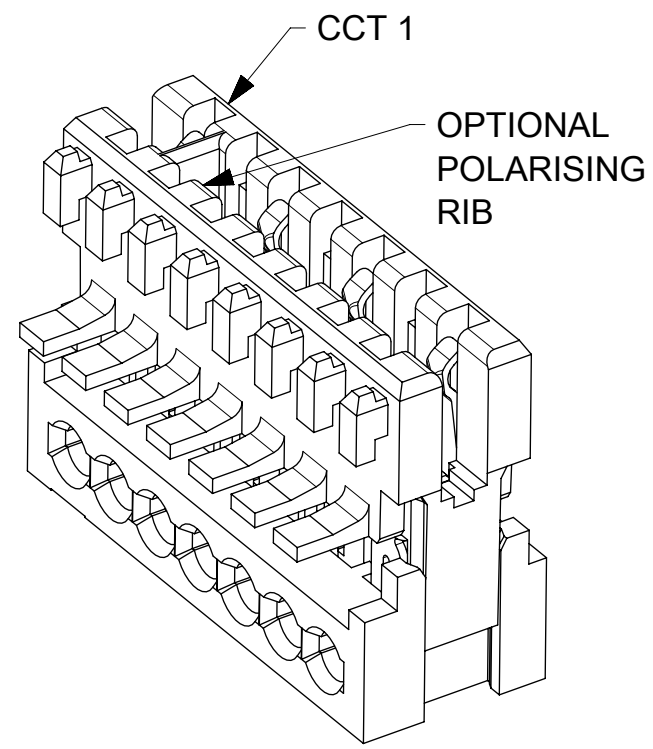


APPLI-MATE 2.5 FEMALE
 G.W.T 750 AND 850 VERSION GF MAT. 5MM PITCH

PRODUCT CUSTOMER DRAWING

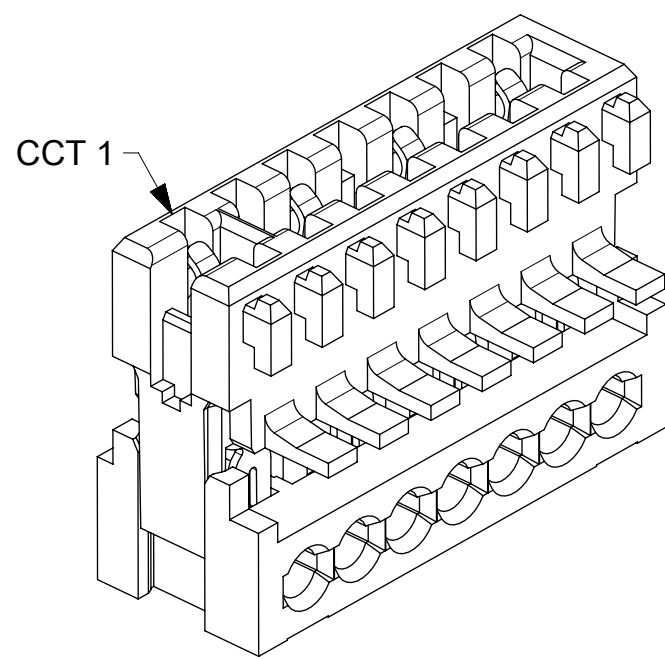
DOCUMENT NUMBER	DOC TYPE	DOC PART	REVISION
934650001	PSD	000	R1

MATERIAL NUMBER	CUSTOMER	SHEET NUMBER
SEE SHEET 4-5	GENERAL MARKET	1 OF 5



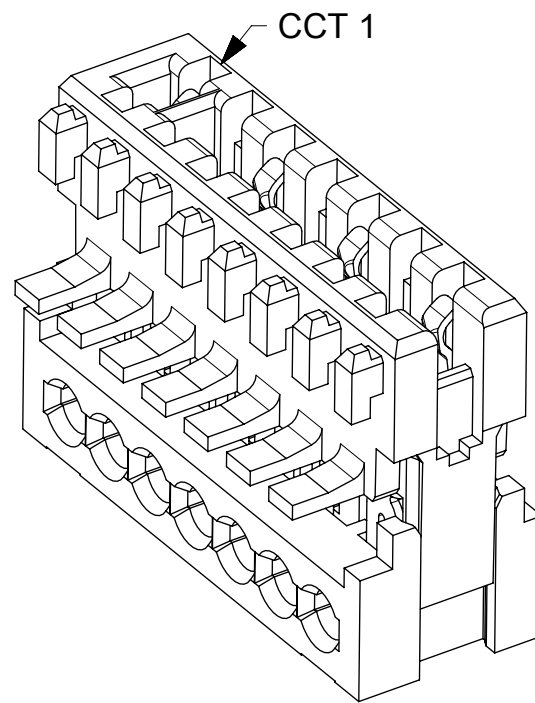
OPEN END WALL OPTION

FIRST END WALL	LAST END WALL
OPEN	OPEN



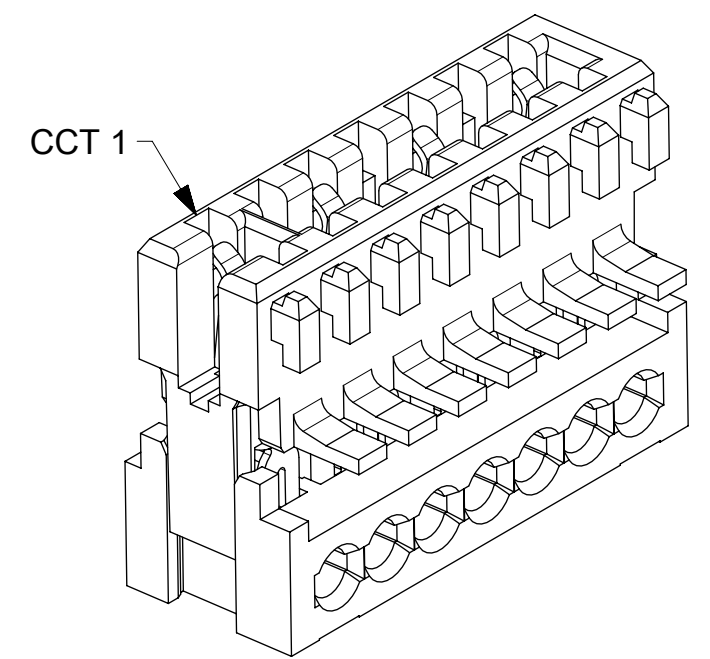
END WALL OPTION A

FIRST END WALL	LAST END WALL
HALF	CLOSED



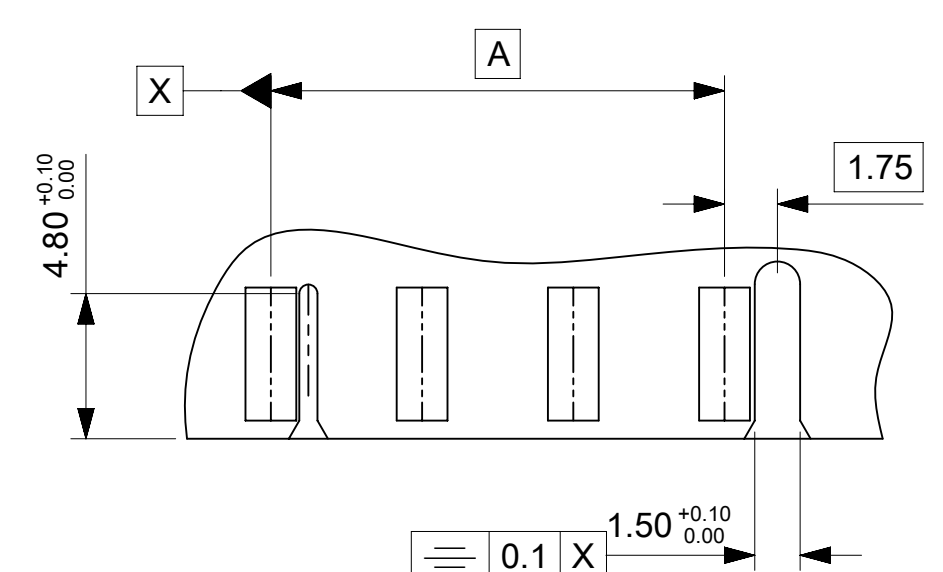
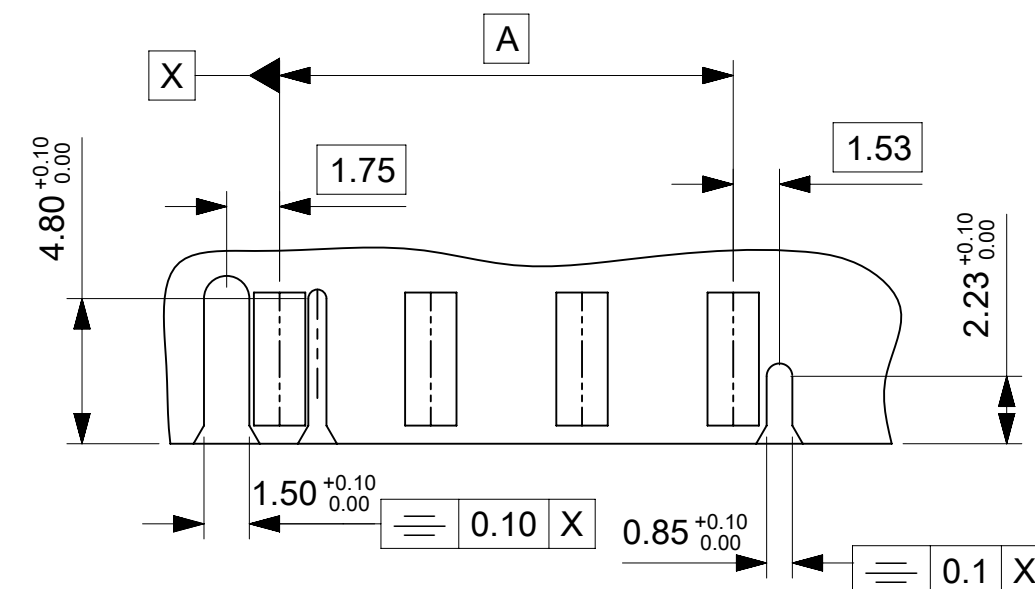
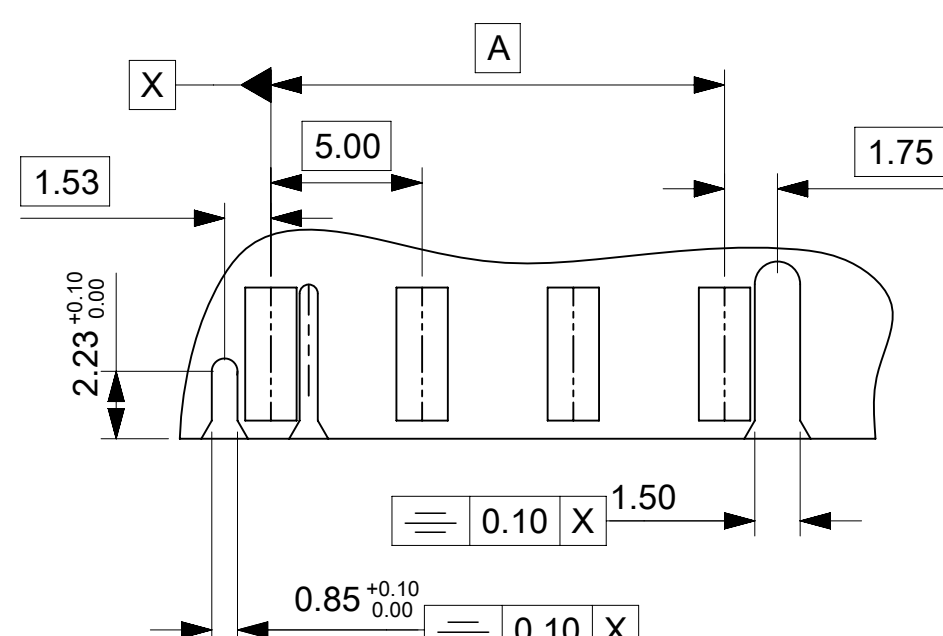
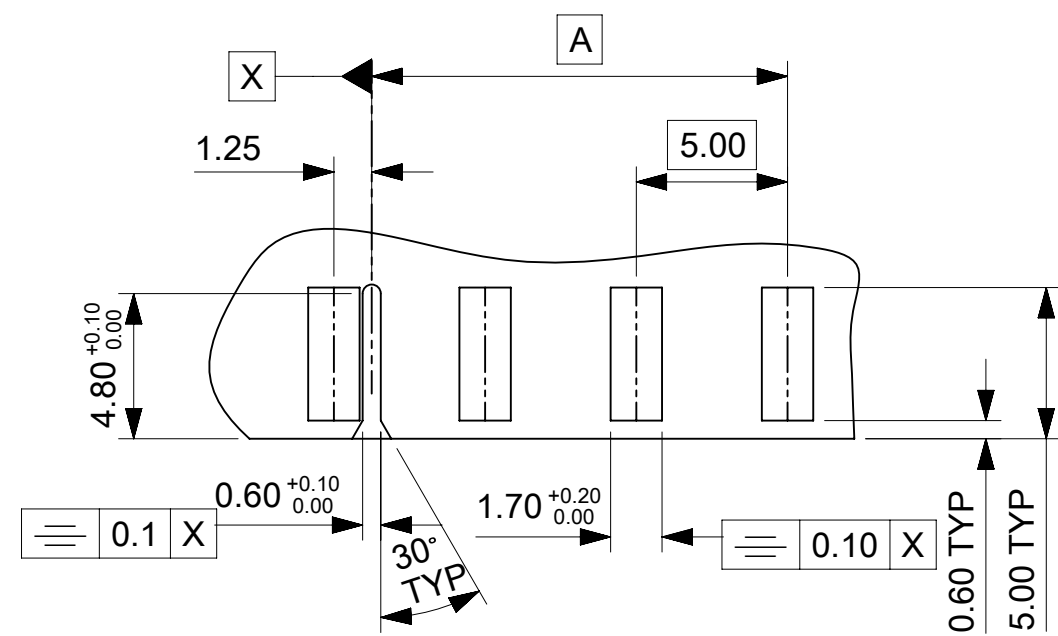
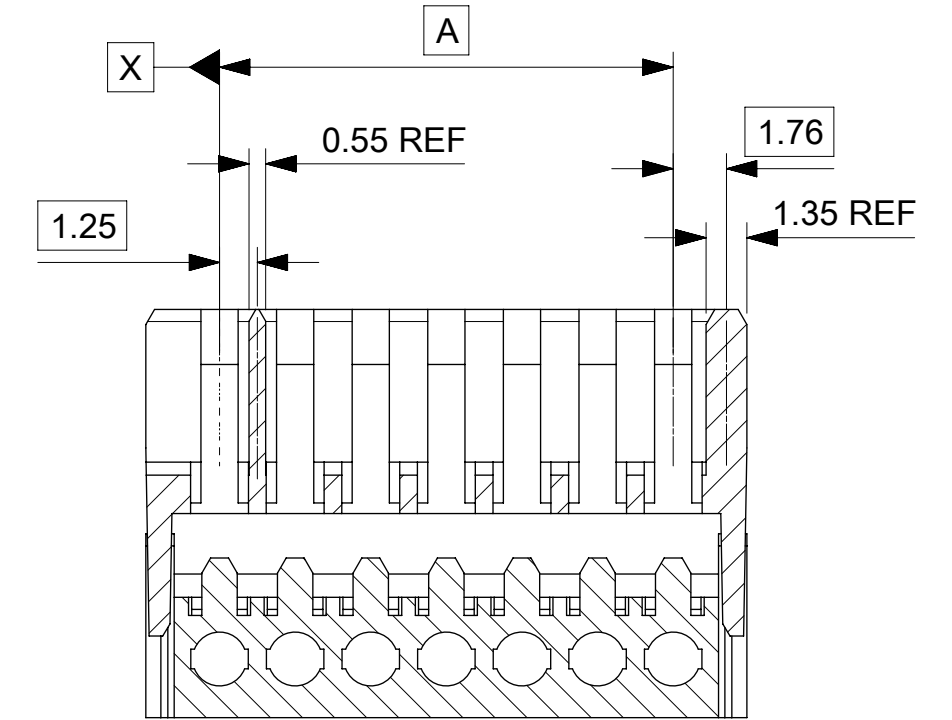
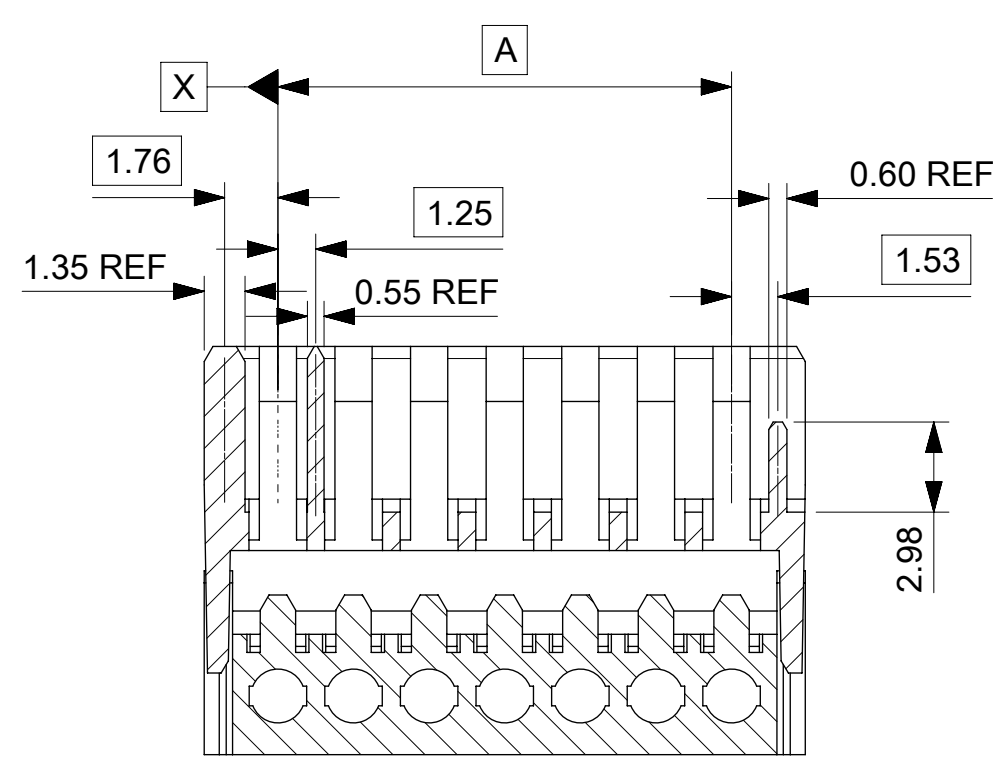
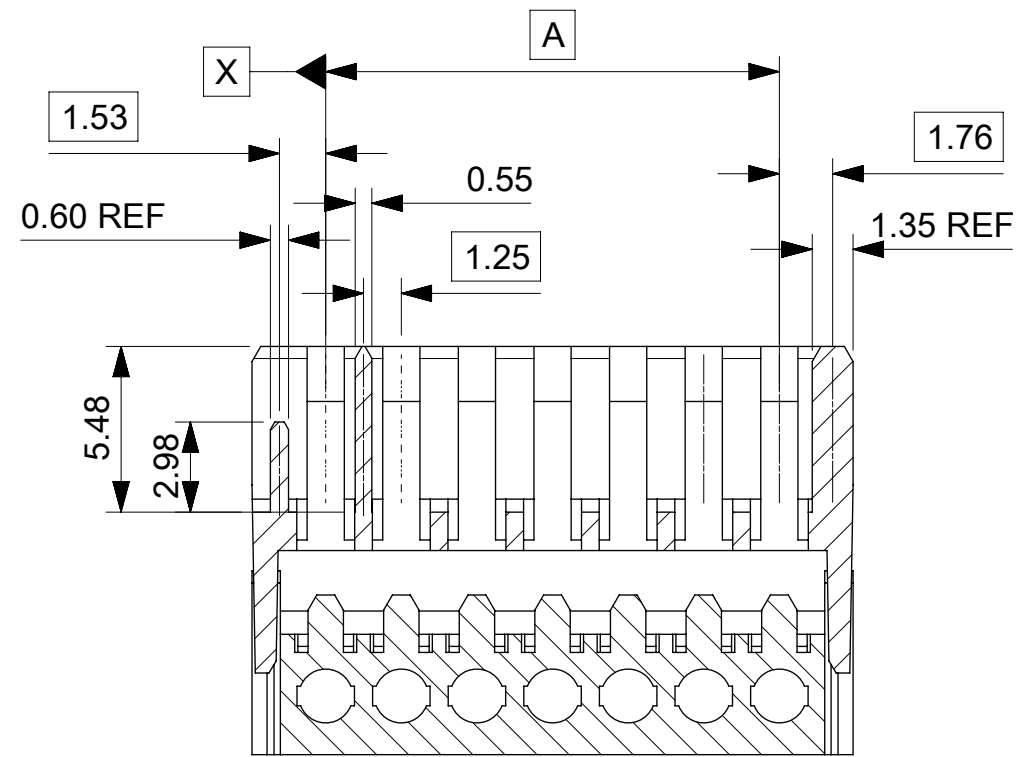
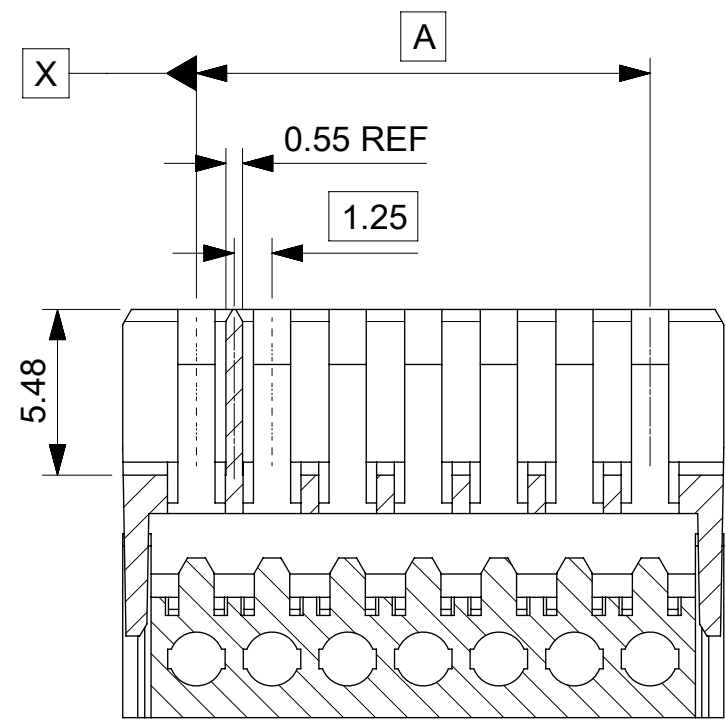
END WALL OPTION B

FIRST END WALL	LAST END WALL
CLOSED	HALF



END WALL OPTION C

FIRST END WALL	LAST END WALL
OPEN	CLOSED

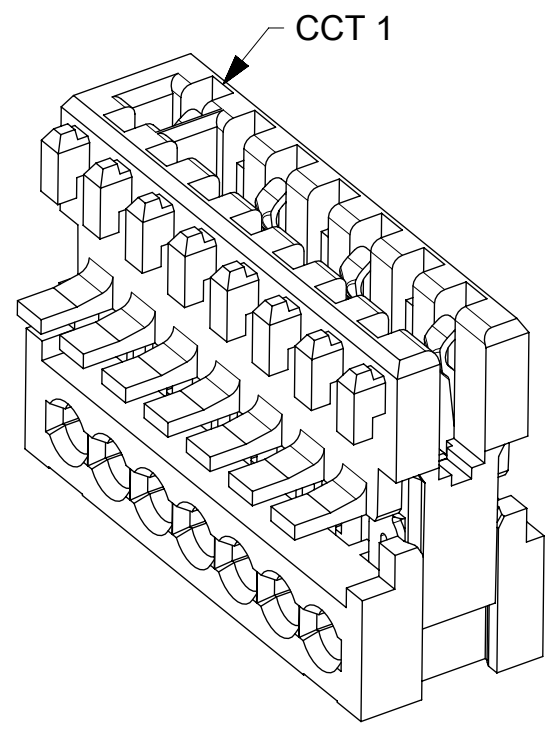


- PCB LAYOUT CCTCONNECTOR
(WITH OPTIONAL POSITIONAL RIB SLOT BETWEEN CCT 1 & 2)
- RECOMMENDED PCB THICKNESS 1.5 ± 0.14

THIS DRAWING CONTAINS INFORMATION THAT IS PROPRIETARY TO MOLEX ELECTRONIC TECHNOLOGIES, LLC AND SHOULD NOT BE USED WITHOUT WRITTEN PERMISSION

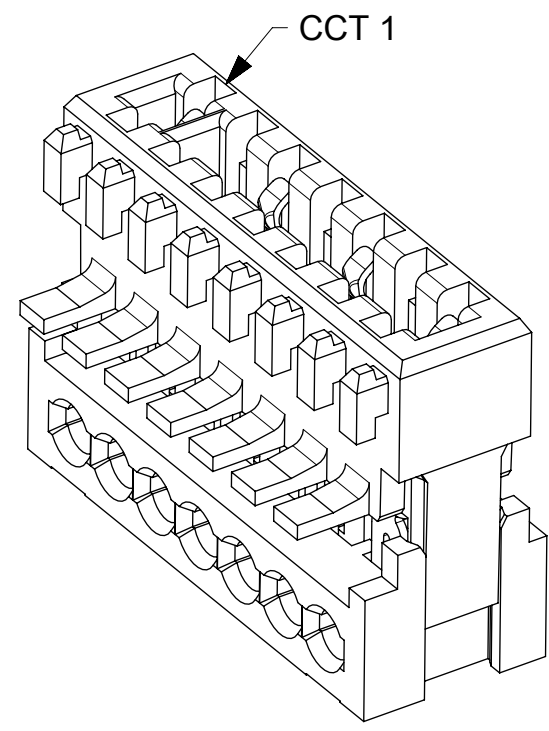
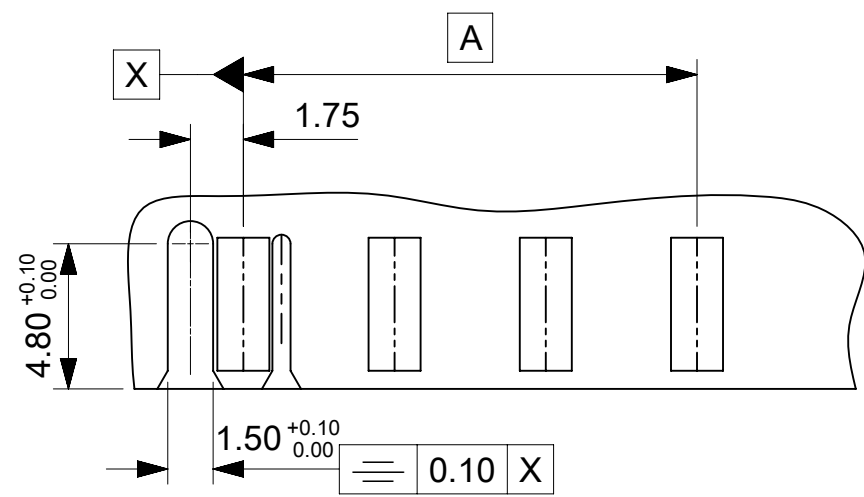
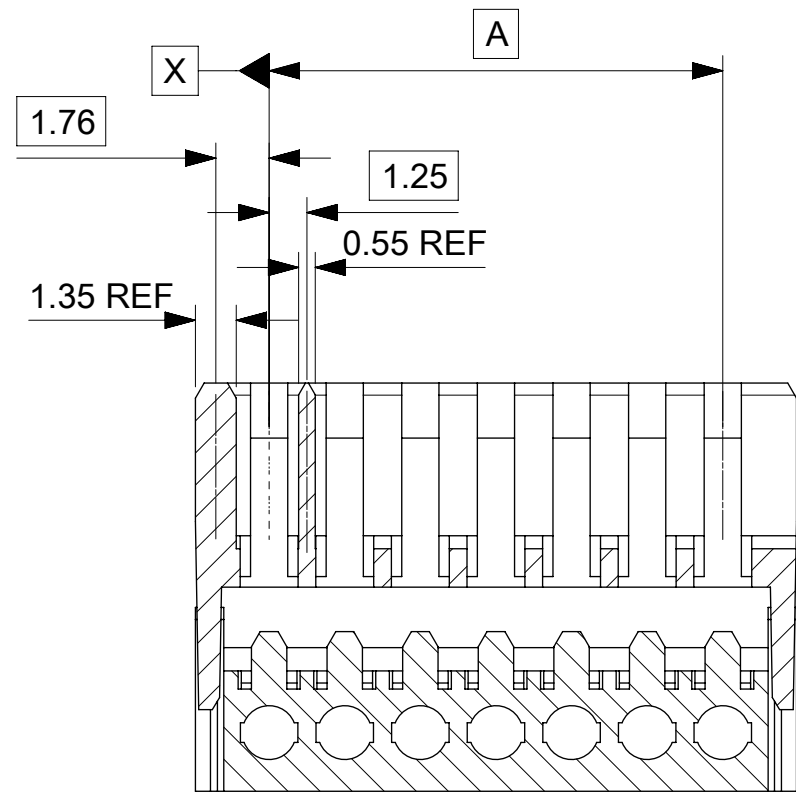
DIMENSION UNITS	SCALE	CURRENT REV DESC:	
mm	4:1	EC NO: 736941	
GENERAL TOLERANCES (UNLESS SPECIFIED)		DRWN: SHRUTJ	2022/11/17
ANGULAR TOL	± 0.5°	CHK'D: RAHULH3	2023/02/06
4 PLACES	±	APPR: MRAMAKRISHNA	2023/02/06
3 PLACES	± 0.05	INITIAL REVISION:	
2 PLACES	± 0.1	DRWN: CFISHER01	2016/01/18
1 PLACE	± 0.2	APPR: MSHANAHAN	2016/03/25
0 PLACES	±	THIRD ANGLE PROJECTION	
DRAFT WHERE APPLICABLE MUST REMAIN WITHIN DIMENSIONS		DRAWING	SERIES
		A2-SIZE	93465

molex			
APPLI-MATE 2.5 FEMALE G.W.T 750 AND 850 VERSION GF MAT. 5MM PITCH			
PRODUCT CUSTOMER DRAWING			
DOCUMENT NUMBER	DOC TYPE	DOC PART	REVISION
934650001	PSD	000	R1
MATERIAL NUMBER	CUSTOMER	SHEET NUMBER	
SEE SHEET 4-5	GENERAL MARKET	2 OF 5	



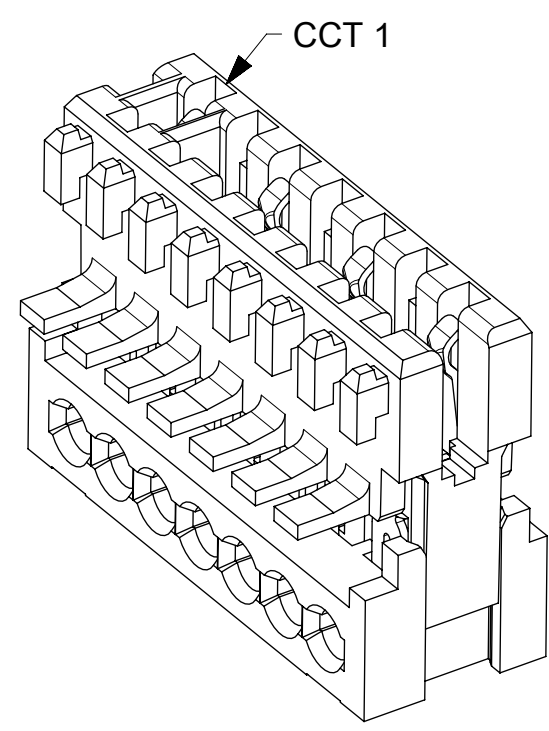
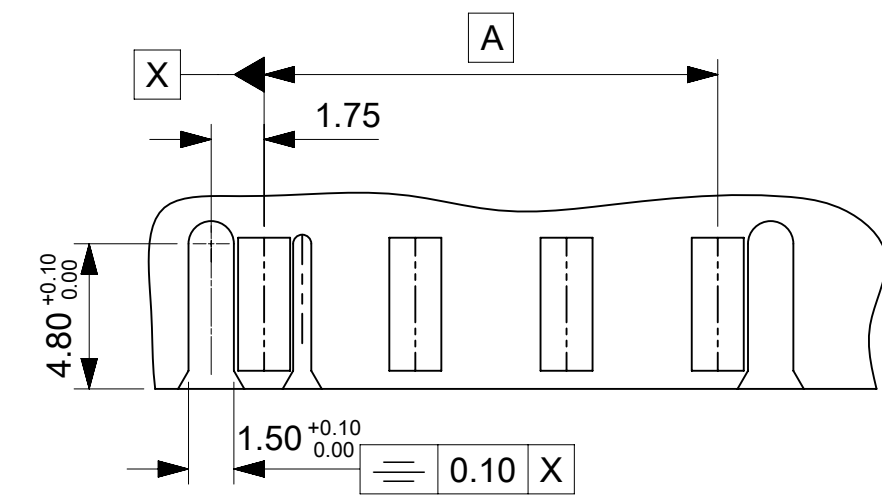
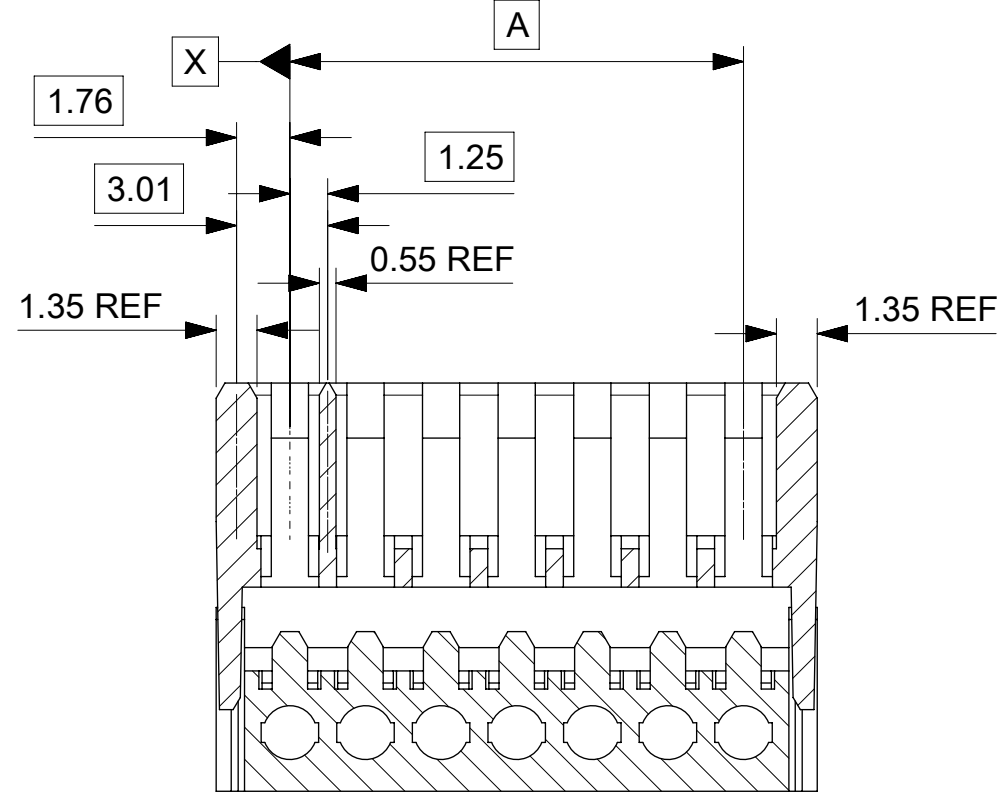
END WALL OPTION D

FIRST END WALL	LAST END WALL
CLOSED	OPEN



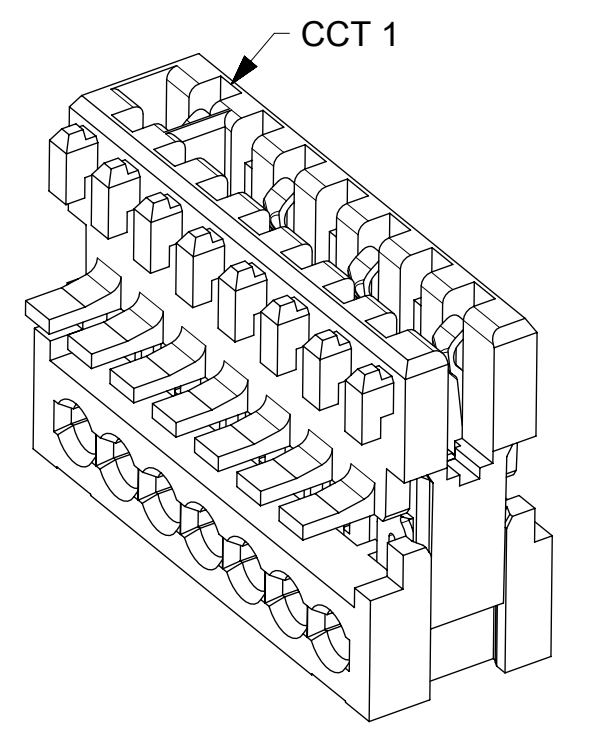
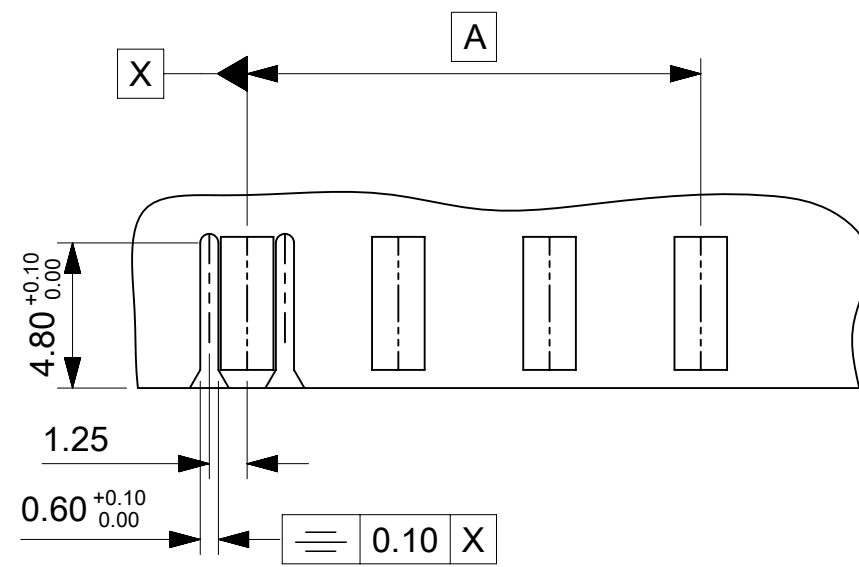
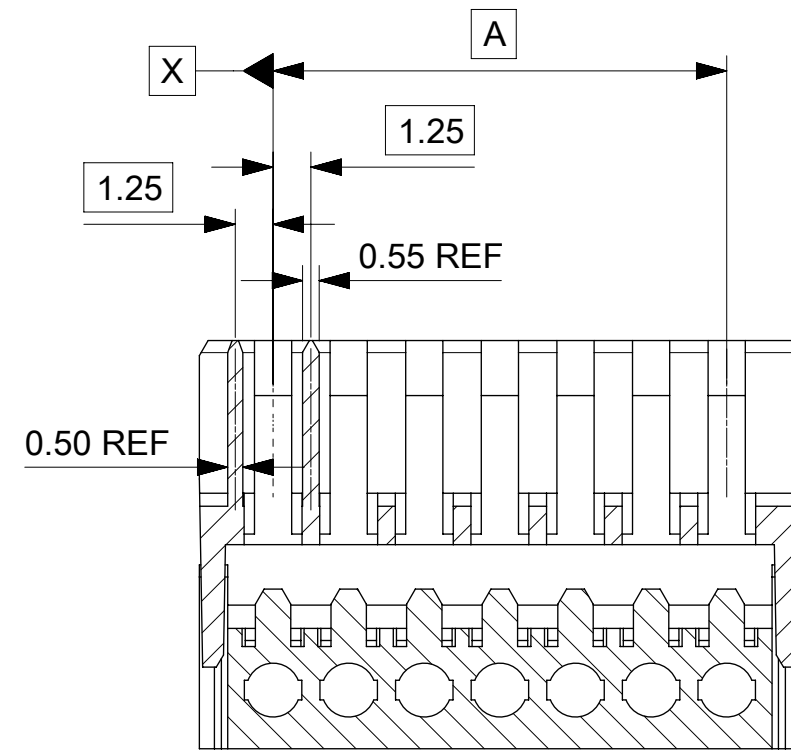
END WALL OPTION E

FIRST END WALL	LAST END WALL
CLOSED	CLOSED



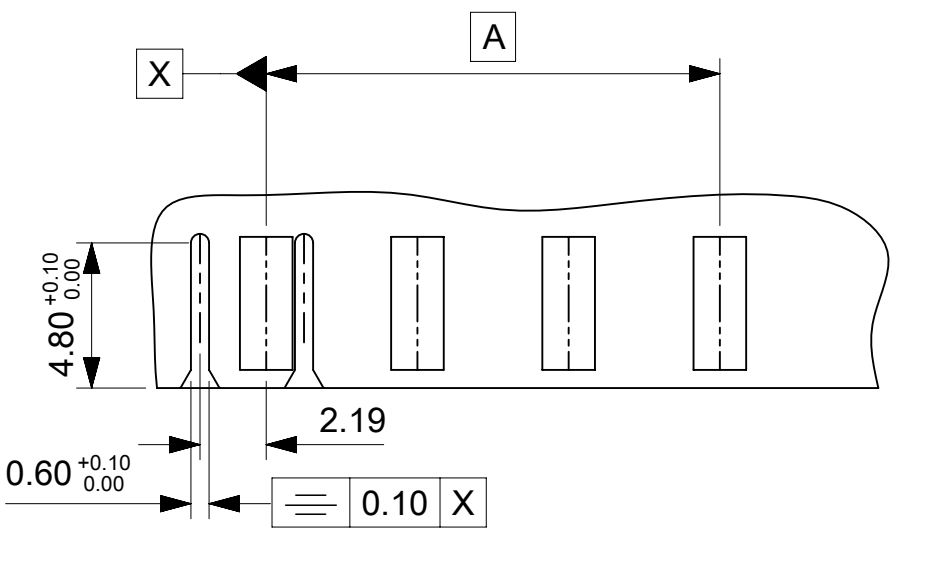
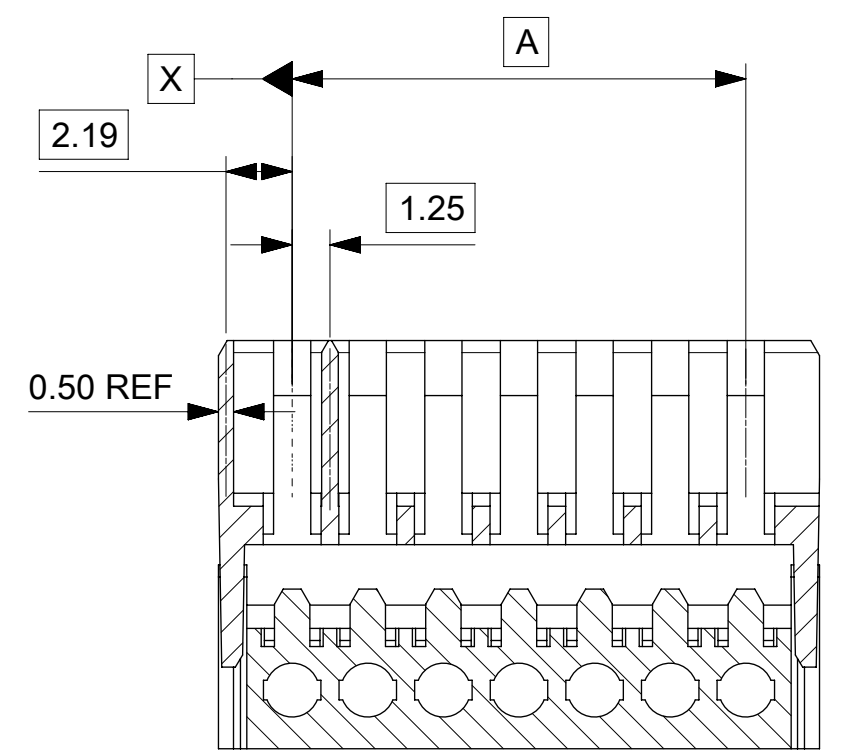
END WALL OPTION F

FIRST END WALL	LAST END WALL
NARROW	OPEN



END WALL OPTION G

FIRST END WALL	LAST END WALL
NARROW FLUSH	OPEN



THIS DRAWING CONTAINS INFORMATION THAT IS PROPRIETARY TO MOLEX ELECTRONIC TECHNOLOGIES, LLC AND SHOULD NOT BE USED WITHOUT WRITTEN PERMISSION

DIMENSION UNITS mm	SCALE 4:1	CURRENT REV DESC:		molex				
GENERAL TOLERANCES (UNLESS SPECIFIED)		EC NO: 736941						APPLI-MATE 2.5 FEMALE
ANGULAR TOL	± 0.5°	DRWN: SHRUTJ 2022/11/17		G.W.T 750 AND 850 VERSION GF MAT. 5MM PITCH				
4 PLACES	±	CHK'D: RAHULH3 2023/02/06		PRODUCT CUSTOMER DRAWING				
3 PLACES	± 0.05	APPR: MRAMAKRISHNA 2023/02/06		DOCUMENT NUMBER				
2 PLACES	± 0.1	INITIAL REVISION:		934650001				
1 PLACE	± 0.2	DRWN: CFISHER01 2016/01/18		DOC TYPE		DOC PART		REVISION
0 PLACES	±	APPR: MSHANAHAN 2016/03/25		PSD		000		R1
DRAFT WHERE APPLICABLE MUST REMAIN WITHIN DIMENSIONS		THIRD ANGLE PROJECTION	DRAWING	SERIES	MATERIAL NUMBER	CUSTOMER	SHEET NUMBER	
			A2-SIZE	93465	SEE SHEET 4-5	GENERAL MARKET	3 OF 5	

2 CIRCUIT							
PART NUMBER	HOUSING USED	REMOVED POSITION KEYS	CONFIGURATION	FIRST ENDWALL	LAST ENDWALL	POLARIZING RIB BETWEEN	COLOUR STRIPE
93465-0001	93464-0003	NONE		OPEN	OPEN	NONE	NONE
93465-0002	93464-0003	d		OPEN	OPEN	NONE	BLUE
93465-0003	93464-0003	b c		OPEN	OPEN	NONE	NONE
93465-0004	93464-0003	a		OPEN	OPEN	NONE	NONE
93465-0005	93464-0003	a c		OPEN	OPEN	NONE	NONE
93465-0006	93464-0003	c		OPEN	OPEN	NONE	NONE
93465-0007	93464-0003	b		OPEN	OPEN	NONE	BLUE
93465-0008	93464-0103	NONE		OPEN	OPEN	BETWEEN CCT 1&2	NONE
93465-0009	93464-0103	b		OPEN	OPEN	BETWEEN CCT 1&2	NONE
93465-0010	93464-0103	a		OPEN	OPEN	BETWEEN CCT 1&2	NONE
93465-0011	93464-0163	NONE		CLOSED	OPEN	BETWEEN CCT 1&2	NONE
93465-0012	93464-0003	NONE		OPEN	OPEN	NONE	RED
93465-0013	93464-0003	d		OPEN	OPEN	NONE	NONE
93465-0014	93464-0003	ALL		OPEN	OPEN	NONE	BLUE
93465-0015	93464-0203	NONE		OPEN	OPEN	BETWEEN CCT 2&3	NONE
93465-0016	93464-0003	b		OPEN	OPEN	NONE	NONE
93465-0017	93464-0003	c d		OPEN	OPEN	NONE	NONE
93465-0018	93464-0103	a d		OPEN	OPEN	BETWEEN CCT 1&2	NONE
93465-0019	93464-0003	b d		OPEN	OPEN	NONE	NONE
93465-0020	93464-0003	a c d		OPEN	OPEN	NONE	RED
93465-0021	93464-0203	a b d		OPEN	OPEN	BETWEEN CCT 2&3	BLACK
93465-0022	93464-0003	a b d		OPEN	OPEN	NONE	GREEN
93465-0023	93464-0103	a b c d		OPEN	OPEN	BETWEEN CCT 1&2	NONE
93465-0024	93464-0103	a c d		OPEN	OPEN	BETWEEN CCT 1&2	RED
93465-0025	93464-0003	a b c d		OPEN	OPEN	NONE	NONE
93465-0026	93464-0203	a c d		OPEN	OPEN	BETWEEN CCT 2&3	BLUE
93465-0027	93464-0103	a b d		OPEN	OPEN	BETWEEN CCT 1&2	GREEN
93465-0028	93464-0203	NONE		OPEN	OPEN	BETWEEN CCT 2&3	RED
93465-0029	93464-0103	b d		OPEN	OPEN	BETWEEN CCT 1&2	RED
93465-0030	93464-0203	a c		OPEN	OPEN	BETWEEN CCT 2&3	NONE
93465-0031	93464-0143	b		OPEN	CLOSED	BETWEEN CCT 1&2	NONE

2 CIRCUIT							
PART NUMBER	HOUSING USED	REMOVED POSITION KEYS	CONFIGURATION	FIRST ENDWALL	LAST ENDWALL	POLARIZING RIB BETWEEN	COLOUR STRIPE
93465-0032	94006-0003 ZEUS	NONE		OPEN	OPEN	NONE	NONE
93465-0033	93464-9909	NONE		OPEN	NARROW FLUSH	NONE	NONE
93465-0034	94006-0003 ZEUS	a		OPEN	OPEN	NONE	NONE
93465-0035	94006-0003 ZEUS	c		OPEN	OPEN	NONE	NONE
93465-0036	93464-0203	a b d		OPEN	OPEN	BETWEEN CCT 2&3	ORANGE
93465-0039	94006-0003 ZEUS	a d		OPEN	OPEN	NONE	NONE
93465-0040	94006-0003 ZEUS	NONE		OPEN	OPEN	NONE	RED
93465-0042	94006-0003 ZEUS	b c		OPEN	OPEN	NONE	NONE
93465-0043	94006-0003 ZEUS	a c		OPEN	OPEN	NONE	NONE
93465-0044	94006-0003 ZEUS	a b		OPEN	OPEN	NONE	NONE
93465-0045	94006-0103 ZEUS	NONE		OPEN	OPEN	BETWEEN CCT 1&2	GREEN
93465-0047	94006-0003 ZEUS	ALL		OPEN	OPEN	NONE	NONE
93465-0048	94006-0043 ZEUS	c		OPEN	CLOSED	NONE	NONE
93465-0052	93464-9912	b c		Narrow Flush	OPEN	BETWEEN CCT 2&3	NONE

(R1)

NOTES

- + DENOTES TERMINAL VOIDED POSITION
⊕ DENOTES TERMINAL LOADED POSITION
| DENOTES POLARIZING RIB POSITION
- MOLEX HOUSING NO. FOR REFERENCE ONLY

THIS DRAWING CONTAINS INFORMATION THAT IS PROPRIETARY TO MOLEX ELECTRONIC TECHNOLOGIES, LLC AND SHOULD NOT BE USED WITHOUT WRITTEN PERMISSION											
DIMENSION UNITS		SCALE		CURRENT REV DESC:							
mm		1:1									
GENERAL TOLERANCES (UNLESS SPECIFIED)				<p>APPLI-MATE 2.5 FEMALE G.W.T 750 AND 850 VERSION GF MAT. 5MM PITCH</p> <p>PRODUCT CUSTOMER DRAWING</p>							
ANGULAR TOL		± 0.5°						EC NO: 736941			
4 PLACES		±						DRWN: SHRUTJ 2022/11/17			
3 PLACES		± 0.05						CHK'D: RAHULH3 2023/02/06			
2 PLACES		± 0.1						APPR: MRAMAKRISHNA 2023/02/06			
1 PLACE		± 0.2		INITIAL REVISION:							
0 PLACES		±		DRWN: CFISHER01 2016/01/18		DOCUMENT NUMBER					
				APPR: MSHANAHAN 2016/03/25		934650001					
DRAFT WHERE APPLICABLE MUST REMAIN WITHIN DIMENSIONS		THIRD ANGLE PROJECTION		DRAWING		SERIES					
				A2-SIZE		93465					
				MATERIAL NUMBER		CUSTOMER					
				SEE SHEET 4-5		GENERAL MARKET					
						SHEET NUMBER					
						4 OF 5					

3 CIRCUIT

PART NUMBER	HOUSING USED	REMOVED POSITION KEYS	CONFIGURATION	FIRST ENDWALL	LAST ENDWALL	POLARIZING RIB BETWEEN	COLOUR STRIPE
93465-1001	93464-0005	NONE		OPEN	OPEN	NONE	NONE
93465-1002	93464-0005	a b c f		OPEN	OPEN	NONE	NONE
93465-1003	93464-0005	a		OPEN	OPEN	NONE	NONE
93465-1004	93464-0405	a b c d		OPEN	OPEN	BETWEEN CCT 4&5	NONE
93465-1005	93464-0205	a b c d		OPEN	OPEN	BETWEEN CCT 2&3	NONE
93465-1006	93464-0005	a b		OPEN	OPEN	NONE	NONE
93465-1007	94006-0005 ZEUS	NONE		OPEN	OPEN	NONE	NONE
93465-1008	93464-0105	NONE		OPEN	OPEN	BETWEEN CCT 1&2	NONE

6 CIRCUIT

PART NUMBER	HOUSING USED	REMOVED POSITION KEYS	CONFIGURATION	FIRST ENDWALL	LAST ENDWALL	POLARIZING RIB BETWEEN	COLOUR STRIPE
93465-4001	94006-0011 ZEUS	NONE		OPEN	OPEN	NONE	NONE

7 CIRCUIT

PART NUMBER	HOUSING USED	REMOVED POSITION KEYS	CONFIGURATION	FIRST ENDWALL	LAST ENDWALL	POLARIZING RIB BETWEEN	COLOUR STRIPE
93465-5001	93464-0013	NONE		OPEN	OPEN	NONE	NONE
93465-5002	94006-0013 ZEUS	NONE		OPEN	OPEN	NONE	NONE

4 CIRCUIT

PART NUMBER	HOUSING USED	REMOVED POSITION KEYS	CONFIGURATION	FIRST ENDWALL	LAST ENDWALL	POLARIZING RIB BETWEEN	COLOUR STRIPE
93465-2001	93464-0007	NONE		OPEN	OPEN	NONE	NONE
93465-2002	93464-0067	b		CLOSED	OPEN	NONE	NONE
93465-2003	93464-0207	NONE		OPEN	OPEN	BETWEEN CCT 2&3	NONE
93465-2004	94006-0007 ZEUS	NONE		OPEN	OPEN	NONE	NONE
93465-2007	93464-9913	d e		NARROW FLUSH	NARROW FLUSH	BETWEEN CCT 1&2	NONE

8 CIRCUIT

PART NUMBER	HOUSING USED	REMOVED POSITION KEYS	CONFIGURATION	FIRST ENDWALL	LAST ENDWALL	POLARIZING RIB BETWEEN	COLOUR STRIPE
93465-5501	93464-0015	NONE		OPEN	OPEN	NONE	NONE
93465-5502	94006-0015 ZEUS	NONE		OPEN	OPEN	NONE	NONE

5 CIRCUIT

PART NUMBER	HOUSING USED	REMOVED POSITION KEYS	CONFIGURATION	FIRST ENDWALL	LAST ENDWALL	POLARIZING RIB BETWEEN	COLOUR STRIPE
93465-2501	93464-0009	NONE		OPEN	OPEN	NONE	NONE
93465-2502	93464-9906	NONE		NARROW FLUSH	OPEN	NONE	NONE
93465-2503	94006-0009 ZEUS	NONE		OPEN	OPEN	NONE	NONE

9 CIRCUIT

PART NUMBER	HOUSING USED	REMOVED POSITION KEYS	CONFIGURATION	FIRST ENDWALL	LAST ENDWALL	POLARIZING RIB BETWEEN	COLOUR STRIPE
93465-6001	93464-0817	a b c d		OPEN	OPEN	BETWEEN CCT 8&9	NONE
93465-6002	94006-0017	NONE		OPEN	OPEN	NONE	NONE

THIS DRAWING CONTAINS INFORMATION THAT IS PROPRIETARY TO MOLEX ELECTRONIC TECHNOLOGIES, LLC AND SHOULD NOT BE USED WITHOUT WRITTEN PERMISSION										
DIMENSION UNITS		SCALE		CURRENT REV DESC:						
mm		1:1								
GENERAL TOLERANCES (UNLESS SPECIFIED)				EC NO: 736941						APPLI-MATE 2.5 FEMALE G.W.T 750 AND 850 VERSION GF MAT. 5MM PITCH PRODUCT CUSTOMER DRAWING
ANGULAR TOL		± 0.5°		DRWN: SHRUTJ		2022/11/17				
4 PLACES		±		CHK'D: RAHULH3		2023/02/06				
3 PLACES		± 0.05		APPR: MRAMAKRISHNA		2023/02/06		DOCUMENT NUMBER 934650001		
2 PLACES		± 0.1		INITIAL REVISION:						
1 PLACE		± 0.2		DRWN: CFISHER01		2016/01/18				DOC TYPE
0 PLACES		±		APPR: MSHANAHAN		2016/03/25		PSD	000	R1
DRAFT WHERE APPLICABLE MUST REMAIN WITHIN DIMENSIONS			THIRD ANGLE PROJECTION		DRAWING	SERIES	MATERIAL NUMBER	CUSTOMER		SHEET NUMBER
					A2-SIZE	93465	SEE SHEET 4-5	GENERAL MARKET		5 OF 5