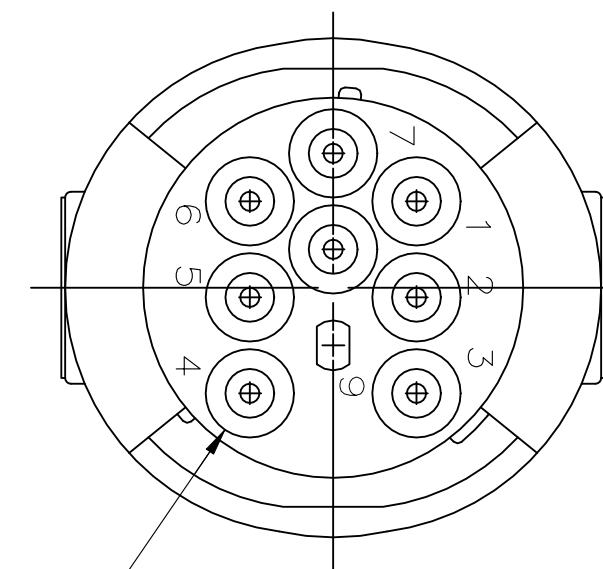
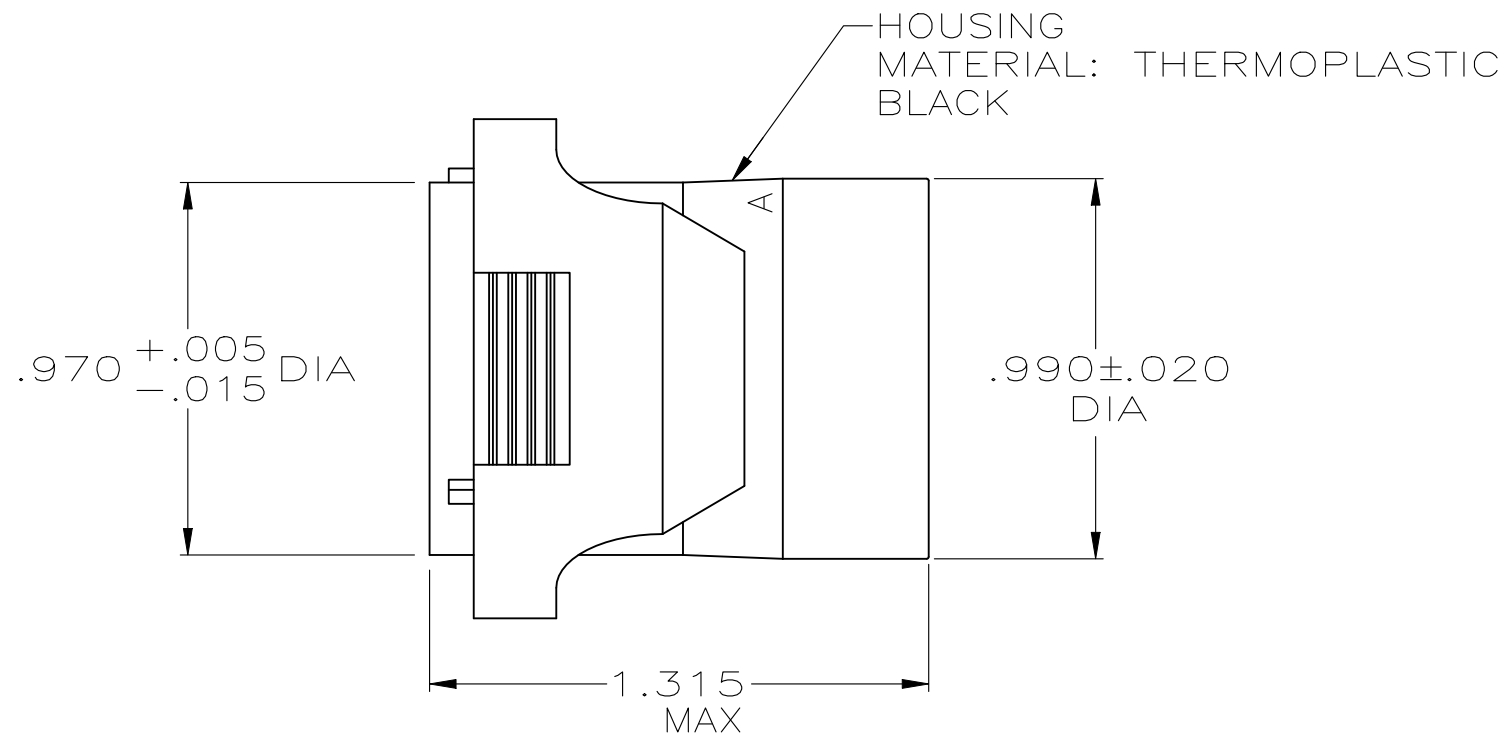
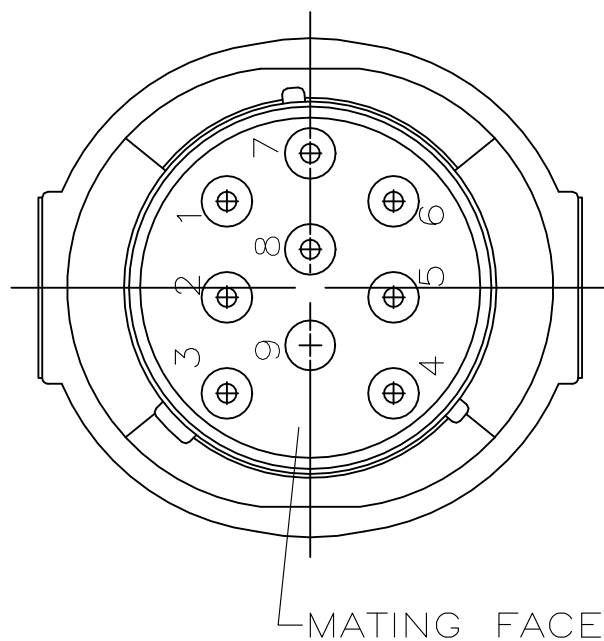


REVISIONS					
P	LTR	DESCRIPTION	DATE	DWN	APVD
	D	REVISED PER PCN E-20-018081	10MAR2021	SCK	-



1. WIRE INSULATION SEALING RANGE: .070-.115 DIA.
2. MATES WITH 208677-1 OR 211068-1.
3. TOTAL LENGTH OF MATED CONNECTORS IS LESS THAN 2.50 INCHES.
4. THIN MEMBRANE PERMISSIBLE ON SMALL DIAMETER OF WIRE SEALS.
5. ROTATION OF CAVITY CIRCUIT KEY FROM PART TO PART IS PERMISSIBLE.

208678-1
PART NUMBER

THIS DRAWING IS A CONTROLLED DOCUMENT.		DWN J GALLUCCI BG 9-6-90	STE TE Connectivity		
DIMENSIONS: INCHES		CHK -			
		TOLERANCES UNLESS OTHERWISE SPECIFIED:		PRODUCT SPEC -	
		0 PLC ± -	1 PLC ± -	APPLICATION SPEC -	
MATERIAL SEE CALLOUT		FINISH -		SIZE A3	CAGE CODE 00779
				DRAWING NO C-208678	RESTRICTED TO -
CUSTOMER DRAWING			WEIGHT 0.000000	SCALE 2:1	SHEET 1 OF 1
			REV D		