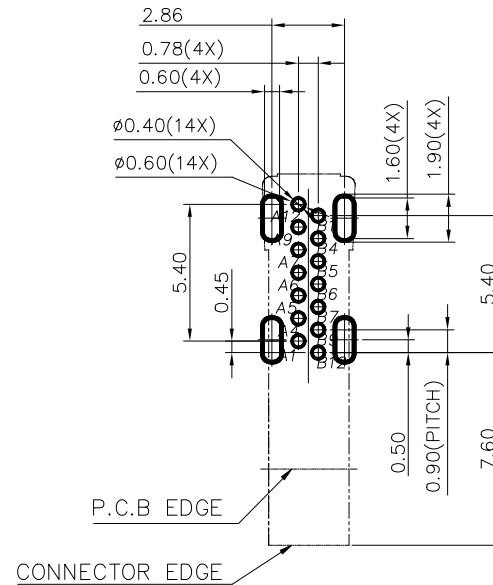
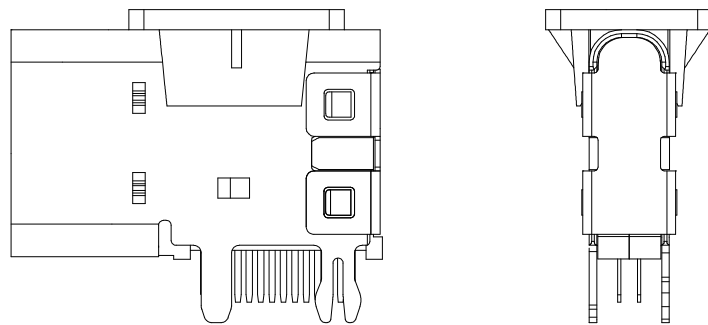
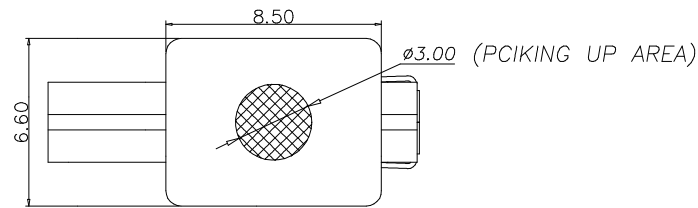


AFTER MATING

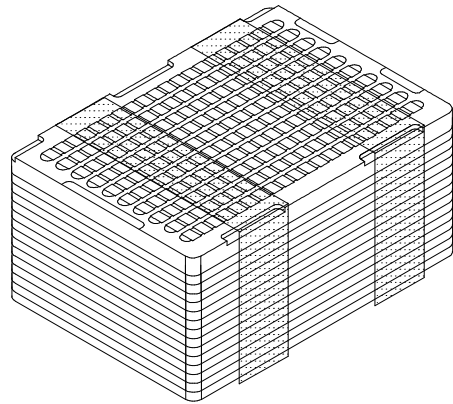


RECOMMENDED PCB LAYOUT(TOP VIEW)  
THICKNESS 1.6±0.10MM;DEFAULT TOLERANCE:±0.05

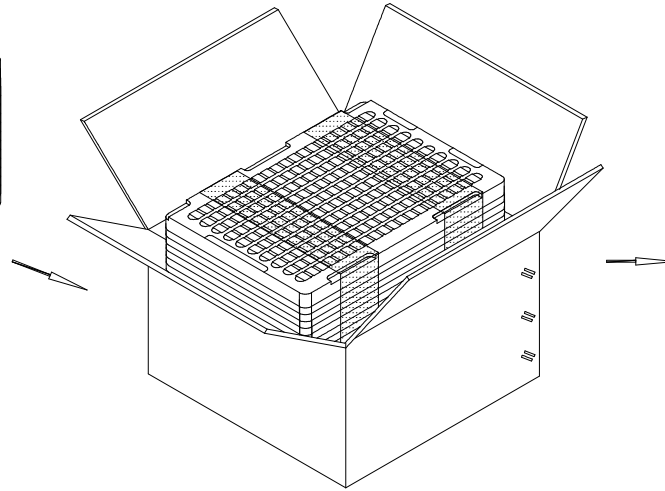


ASSEMBLY WITH CAP

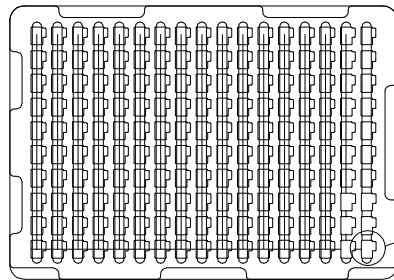
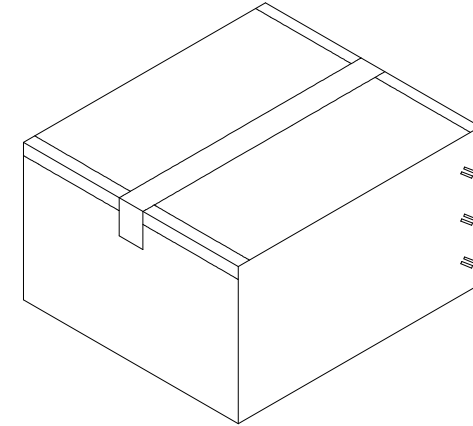
mat'l. code		surface	tolerance	projection	product family
		ISO 1302 ✓	ISO 406 ISO 1101		HPL 511
ltr	ecn no	dr	date	tolerances unless otherwise specified	title
A				.0±.35 .00±.20 0°±2'	USB TYPE C FEMALE R/A UP RIGHT TH TYPE
				linear	mm
				linear	scale 1:1
		dr	Y-Y Bao	2021/04/30	
		engr	Y-Y Bao	2021/04/30	
		chr	LQ Lei	2021/04/30	
		appd	Tim Yao	2021/04/30	
sheet index	revision sheet				dwg no 10151348 type Product Customer Drawing



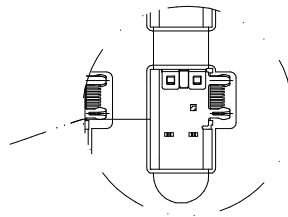
EACH BUNDLE WITH 40 LAYERS



EACH CARTON WITH 6800 PCS PRODUCTS



170PCS/TRAY

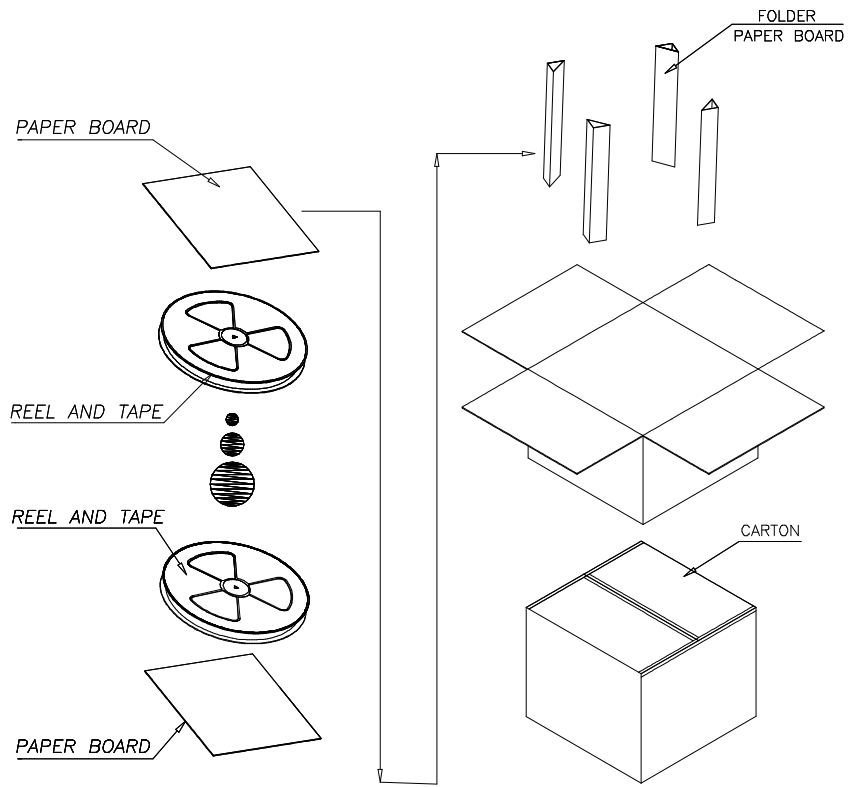
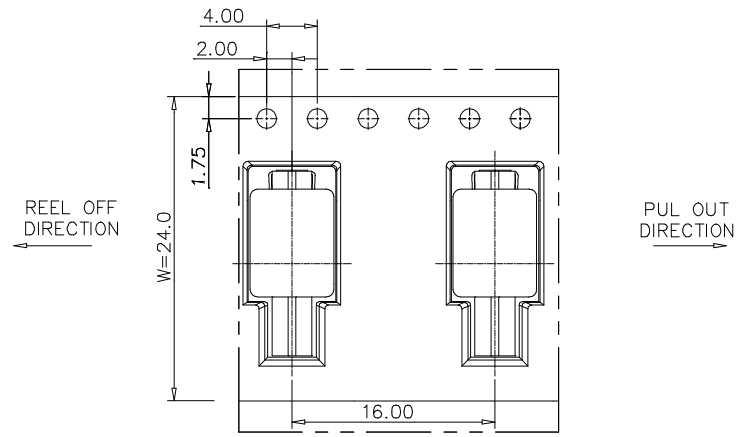
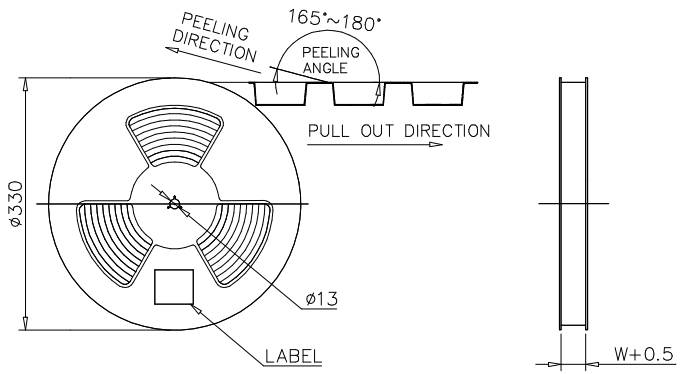
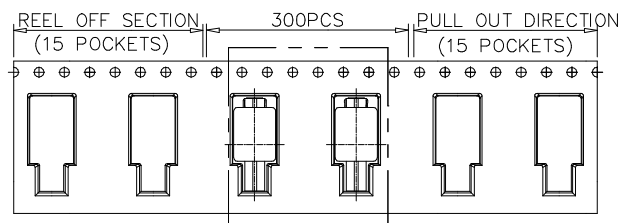


	TRAY	CARTON
CONNFCATOR (PCS)	170	6800

mat'l. code		surface	tolerance	projection	product family	
ISO 1302		ISO 406	ISO 1101		HPL 511	
ltr	ecn no	dr	date	tolerances unless otherwise specified	title	
A				angles	USB TYPE C FEMALE	
				linear	R/A UP RIGHT TH TYPE	
				0°±2'	mm	
				.0±.35	scale 1:1	
				.00±.20		
				.000±.15		
		dr	Y-Y Bao	2021/04/30	dwg no	
		engr	Y-Y Bao	2021/04/30	sheet 3 of 4	
		chr	LQ Lei	2021/04/30	size	
		appd	Tim Yao	2021/04/30	A3	
sheet index		revision sheet		type		Product Customer Drawing

Amphenol FCI

© 2016 AFCI



Amphenol FCI

© 2016 AFCI

	REEL	CARTON
CONNECTOR (PCS)	300	3000

mat'l. code		surface ISO 1302 ✓	tolerance ISO 406	projection ISO 1101	product family HPL 511		
ltr	ecn no	dr	date	tolerances unless otherwise specified	title		
A				angles linear	USB TYPE C FEMALE R/A UP RIGHT TH TYPE		
				0°±2'	mm		
				.0±.35	scale 1:1		
				.00±.20			
				.000±.15			
		dr	Y-Y Bao	2021/04/30	Amphenol FCI	dwg no sheet 4 of 4 size	
		engr	Y-Y Bao	2021/04/30		10151348	A3
		chr	LQ Lei	2021/04/30			
		appd	Tim Yao	2021/04/30			
sheet index	revision sheet					type Product Customer Drawing	