
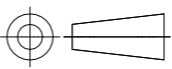


REVISIONS					
P	LTR	DESCRIPTION	DATE	DWN	APVD
	C	RESIN SUPPLIER CHANGE FOR THE HOUSING	17MAY2022	SCB	PS

PACKAGING AND PRODUCT DETAILS:

PIN HEADER PACKED IN TUBE: SEE DRAWING 966306 (PdNi+GOLD FLASH AT CONTACT AREA)
 PIN HEADER PACKED IN BLISTER: SEE DRAWING 1241150 (PdNi+GOLD FLASH AT CONTACT AREA)

THIS DRAWING IS A CONTROLLED DOCUMENT.		DWN A.HO 08.11.93	 TE Connectivity		
		CHK M.SCHAARSCHMIDT 08.11.93			
DIMENSIONS: mm	TOLERANCES UNLESS OTHERWISE SPECIFIED:	APVD -	NAME AMPMODU II STIFTLISTE EINREIHIG,SMD-VERSION		
	0 PLC ± -	PRODUCT SPEC -	SIZE CAGE CODE DRAWING NO RESTRICTED TO A3 00779 C-966710 -		
	1 PLC ± -	APPLICATION SPEC -			
MATERIAL -	FINISH -	WEIGHT -	CUSTOMER DRAWING		
		SCALE -	SHEET 1 OF 1	REV C	