



SFP28

TE Internal #: 2110743-1

SFP, SFP+ & zSFP+, Accessory, Data Rate (Max) 16 Gb/s, With Lightpipe, 1 x 6, Dual Round, Low, 6 Port

[View on TE.com >](#)

Connectors > Pluggable IO Connectors & Cages > SFP, SFP+ & zSFP+ > SFP accessories



Pluggable I/O Product Type: **Accessory**

Data Rate (Max): **16 Gb/s**

Lightpipe Options: **With Lightpipe**

Port Matrix Configuration: **1 x 6**

Lightpipe Configuration: **Dual Round**

[All SFP accessories \(17\)](#)

Features

Product Type Features

Form Factor	SFP+
Pluggable I/O Accessory Type	Lightpipe Kit
Cage Type	Ganged
Pluggable I/O Product Type	Accessory
Lightpipe Options	With Lightpipe

Configuration Features

Port Matrix Configuration	1 x 6
Lightpipe Configuration	Dual Round
Lightpipe Profile	Low
Number of Ports	6

Electrical Characteristics

Data Rate (Max)	16 Gb/s
-----------------	---------

Body Features

	.42 in
--	--------

Operation/Application

Heat Sink Compatible	No
For Use With Pluggable I/O Products	SFP+ Cage



Industry Standards

UL Flammability Rating	UL 94V-0
------------------------	----------

Packaging Features

Packaging Method	Box
------------------	-----

Product Compliance

[For compliance documentation, visit the product page on TE.com>](#)

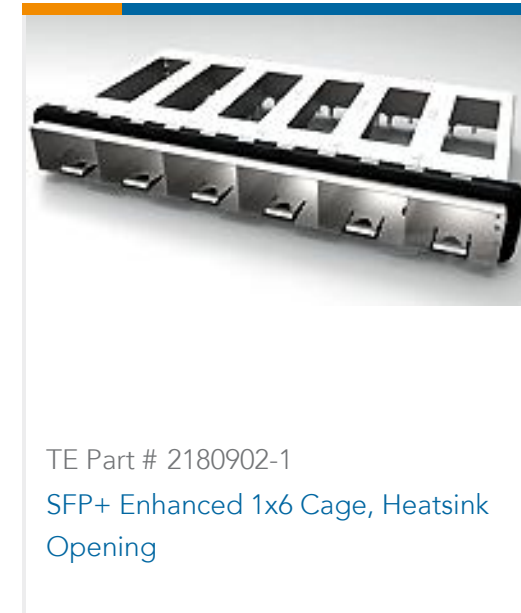
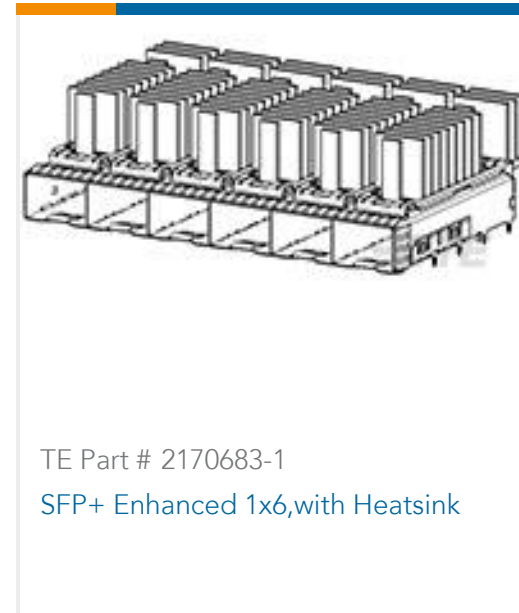
EU RoHS Directive 2011/65/EU	Compliant
EU ELV Directive 2000/53/EC	Compliant
China RoHS 2 Directive MIIT Order No 32, 2016	No Restricted Materials Above Threshold
EU REACH Regulation (EC) No. 1907/2006	Current ECHA Candidate List: JUNE 2023 (235) Candidate List Declared Against: JUNE 2023 (235) Does not contain REACH SVHC
Halogen Content	Not Low Halogen - contains Br or Cl > 900 ppm.
Solder Process Capability	Not applicable for solder process capability

Product Compliance Disclaimer

This information is provided based on reasonable inquiry of our suppliers and represents our current actual knowledge based on the information they provided. This information is subject to change. The part numbers that TE has identified as EU RoHS compliant have a maximum concentration of 0.1% by weight in homogenous materials for lead, hexavalent chromium, mercury, PBB, PBDE, DBP, BBP, DEHP, DIBP, and 0.01% for cadmium, or qualify for an exemption to these limits as defined in the Annexes of Directive 2011/65/EU (RoHS2). Finished electrical and electronic equipment products will be CE marked as required by Directive 2011/65/EU. Components may not be CE marked. Additionally, the part numbers that TE has identified as EU ELV compliant have a maximum concentration of 0.1% by weight in homogenous materials for lead, hexavalent chromium, and mercury, and 0.01% for cadmium, or qualify for an exemption to these limits as defined in the Annexes of Directive 2000/53/EC (ELV). Regarding the REACH Regulation, the information TE provides on SVHC in articles for this part number is based on the latest European Chemicals Agency (ECHA) 'Guidance on requirements for substances in articles' posted at this URL: <https://echa.europa.eu/guidance-documents/guidance-on-reach>

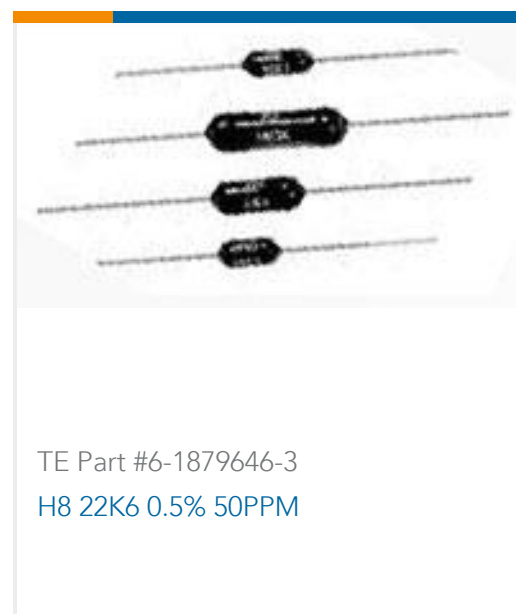
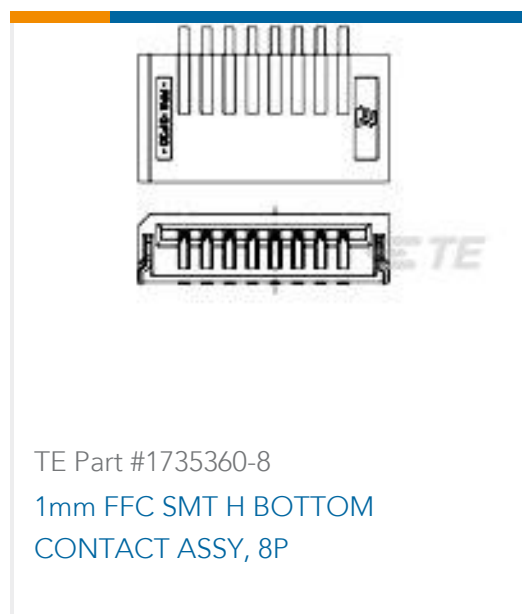
Compatible Parts





Customers Also Bought





Documents

Product Drawings

SFP 1x6 Light Pipe Assy, Low Profile

English

CAD Files

3D PDF

3D

Customer View Model

[ENG_CVM_CVM_2110743-1_A.2d_dxf.zip](#)

English

Customer View Model

[ENG_CVM_CVM_2110743-1_A.3d_igs.zip](#)

English

Customer View Model

[ENG_CVM_CVM_2110743-1_A.3d_stp.zip](#)

English

By downloading the CAD file I accept and agree to the [Terms and Conditions](#) of use.

Product Specifications

Application Specification

English