

PART NUMBER	LED COLOR
595-2101-002F	RED
595-2101-007F	
595-2101-013F	
595-2701-002F	AlInGaP YELLOW
595-2701-007F	
595-2701-013F	
595-2701-013F	

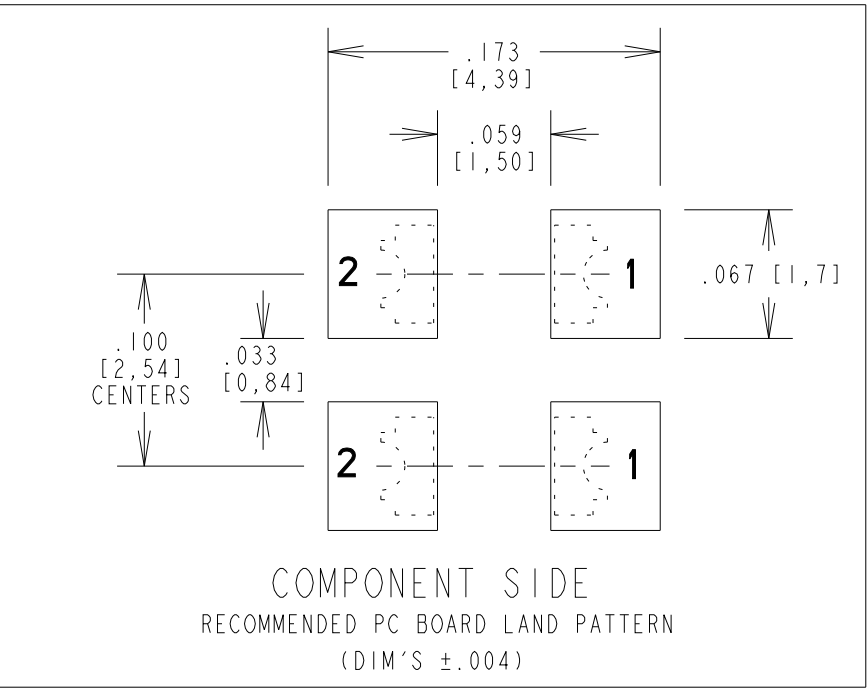
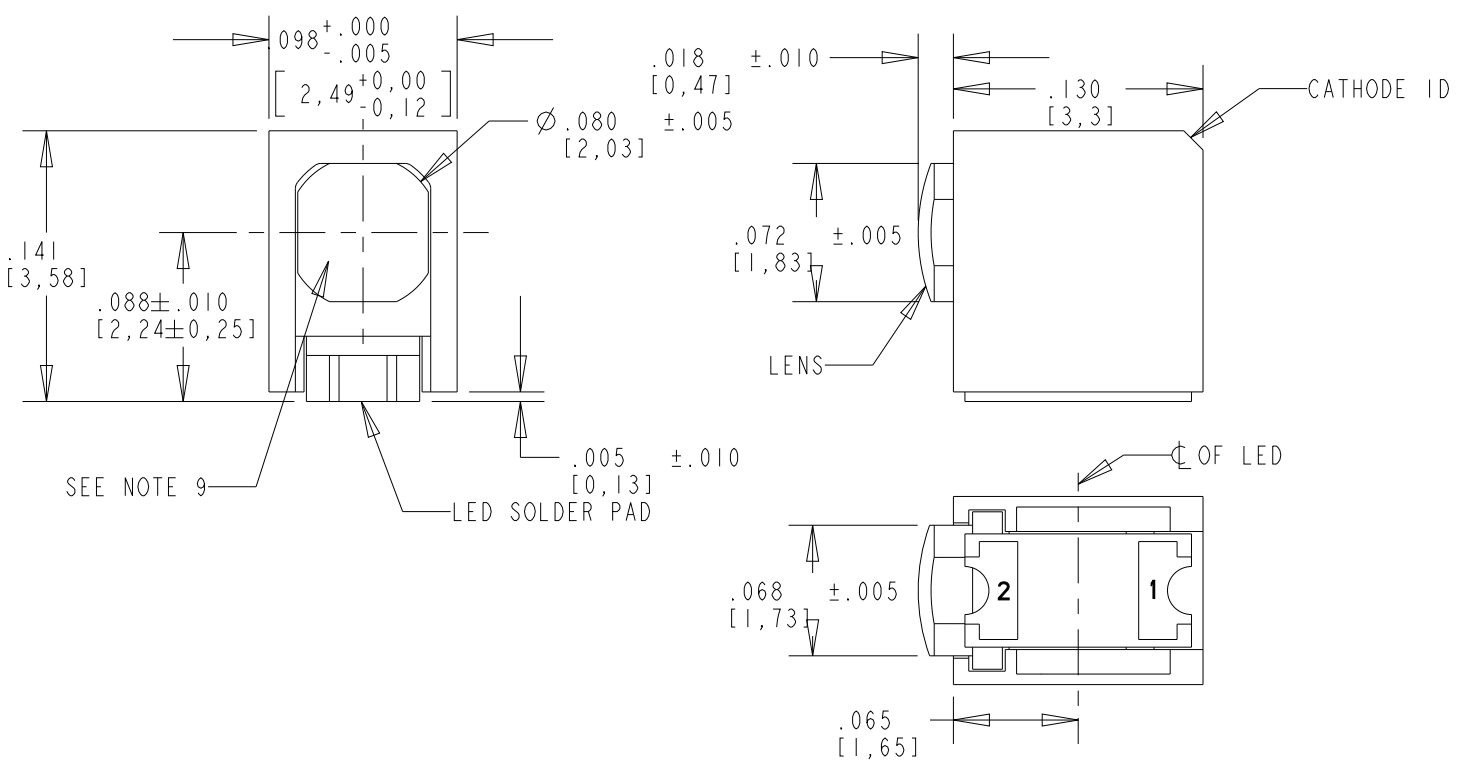
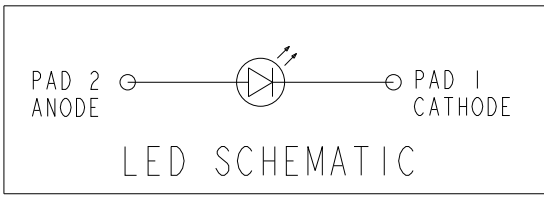
OPERATING CHARACTERISTICS AT 25°C AMBIENT						
CHARACTERISTICS		MIN	TYP	MAX	UNITS	TEST CONDITIONS
LUMINOUS INTENSITY	RED		25.0		mc d	I _F = 20 mA
FORWARD VOLTAGE	RED		1.7	2.0	V	I _F = 20 mA
REVERSE VOLTAGE	RED	4			V	I _R = 100 μA
PEAK WAVELENGTH	RED		660		nm	
DOMINANT WAVELENGTH	RED		647		nm	

ABSOLUTE MAXIMUM RATINGS AT 25°C AMBIENT			
	COLOR	VALUE	UNITS
POWER DISSIPATION	RED	60	mW
DERATE LINEARLY FROM 25°C	RED	0.42	mA/°C
CONTINUOUS FORWARD CURRENT	RED	30	mA
PEAK FORWARD CURRENT (1/10 DUTY CYCLE, 0.1 ms PULSE WIDTH)	RED	70	mA
OPERATING TEMPERATURE	RED	-30 TO +85	°C
STORAGE TEMPERATURE	RED	-30 TO 80	°C

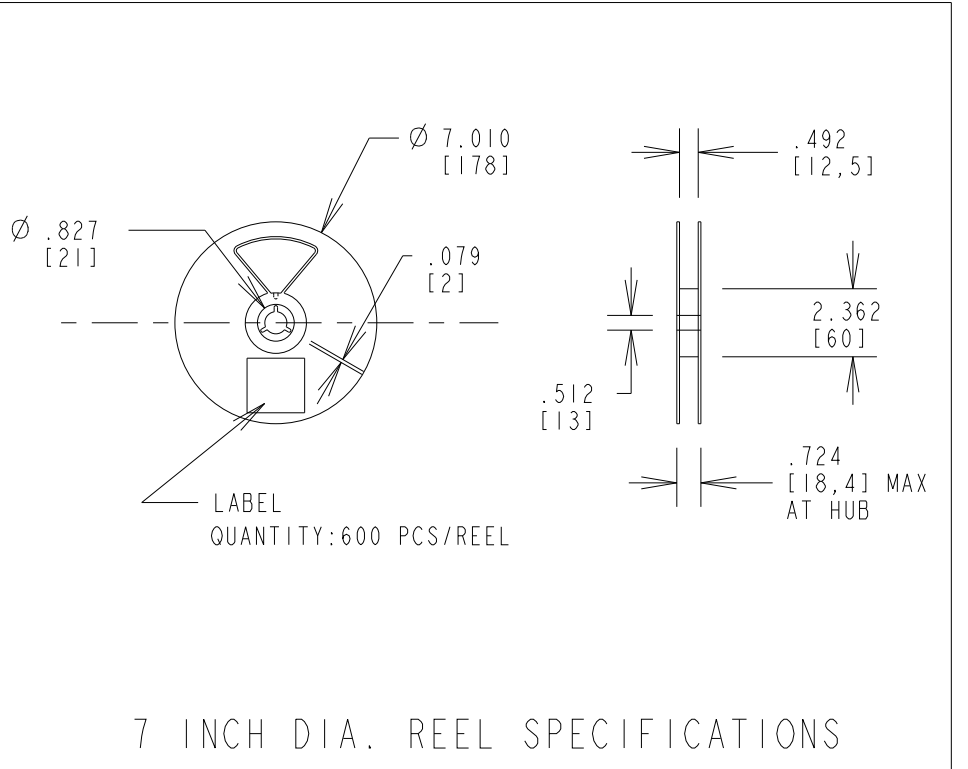
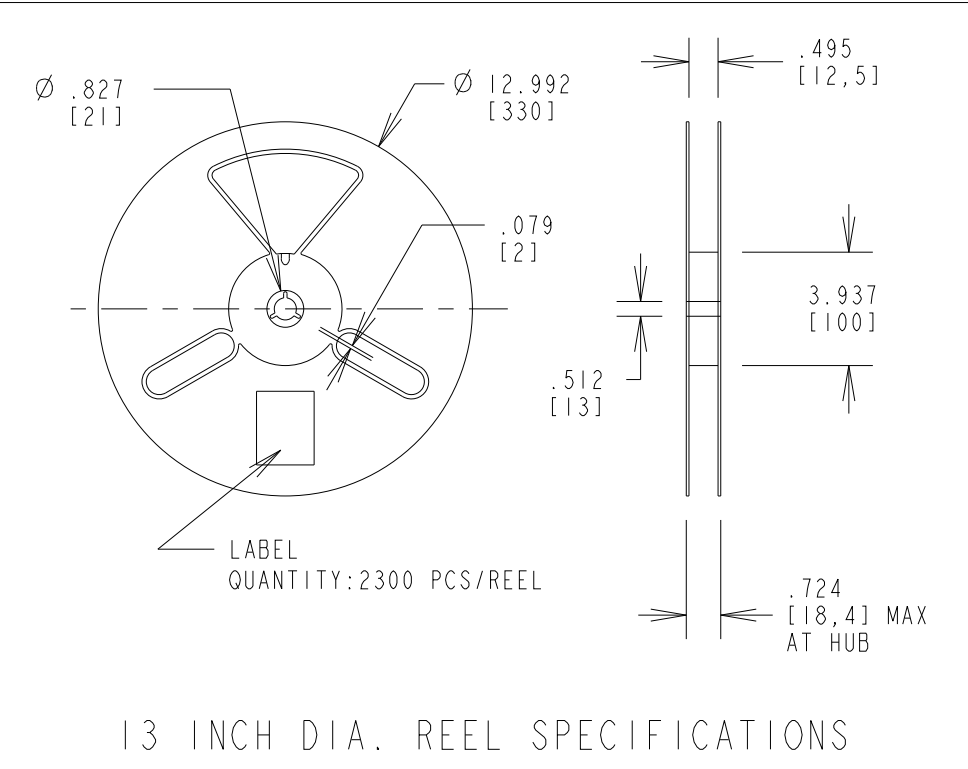
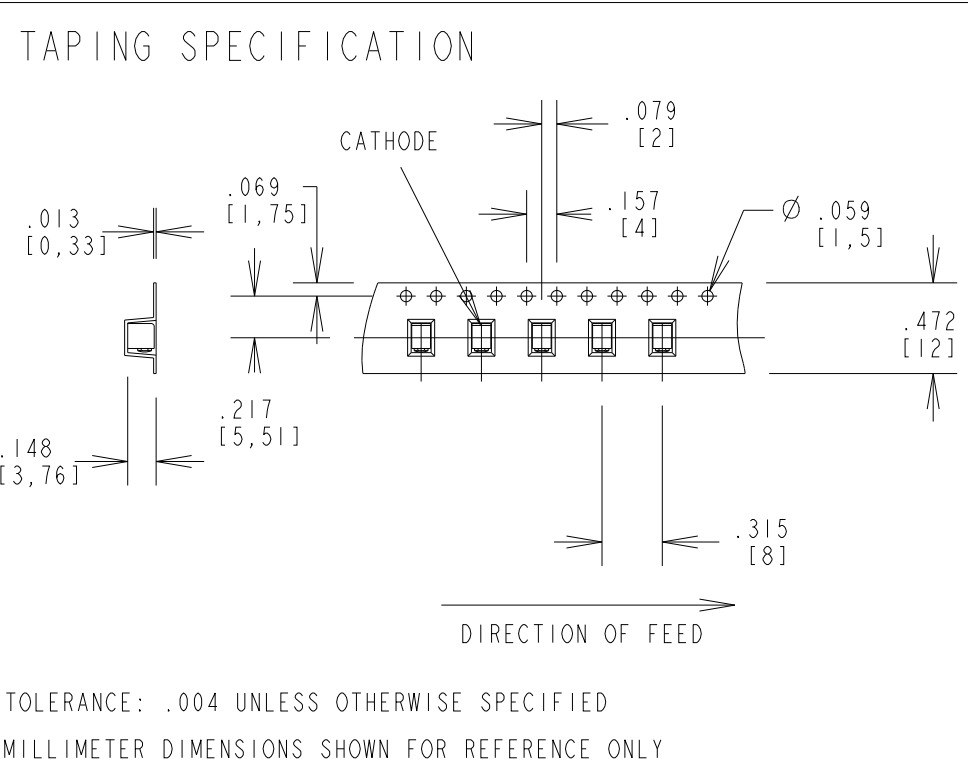
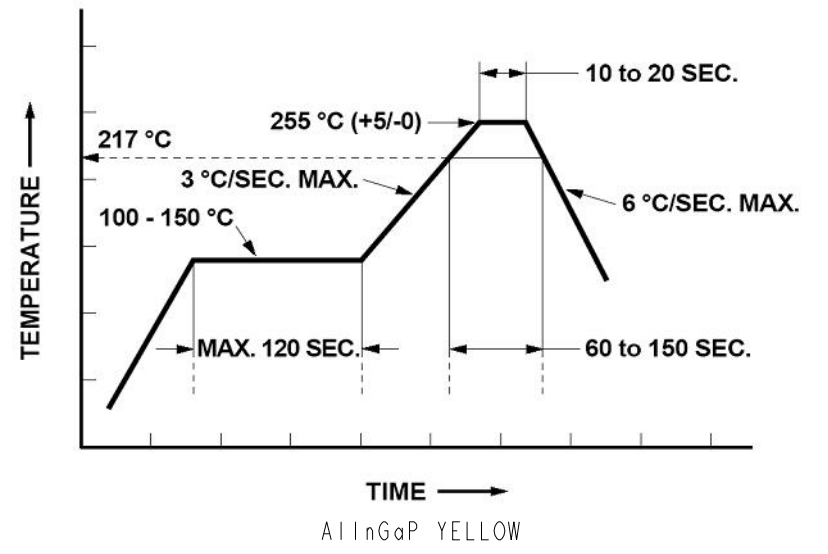
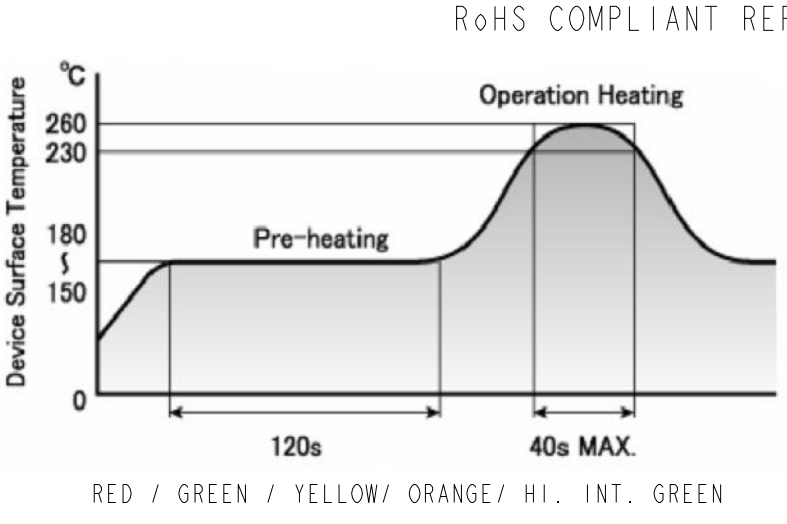
OPERATING CHARACTERISTICS AT 25°C AMBIENT						
CHARACTERISTICS		MIN	TYP	MAX	UNITS	TEST CONDITIONS
LUMINOUS INTENSITY	AlInGaP YELLOW		41.0		mc d	I _F = 10 mA
FORWARD VOLTAGE	AlInGaP YELLOW		2.02	2.4	V	I _F = 20 mA
REVERSE CURRENT	AlInGaP YELLOW			100	μA	V _R = 5V
PEAK WAVELENGTH	AlInGaP YELLOW		592		nm	
DOMINANT WAVELENGTH	AlInGaP YELLOW	582	590	597	nm	

ABSOLUTE MAXIMUM RATING AT 25°C AMBIENT			
		VALUE	UNITS
POWER DISSIPATION	AlInGaP YELLOW	81	mW
DERATE LINEARLY FROM 75°C (* FROM 55°C)	AlInGaP YELLOW	0.58 *	mA/°C
CONTINUOUS FORWARD CURRENT	AlInGaP YELLOW	30	mA
OPERATING TEMPERATURE	AlInGaP YELLOW	-30 TO +85	°C
STORAGE TEMPERATURE	AlInGaP YELLOW	-40 TO +100	°C

REV	ECN NO	REVISIONS	DRN	CKD	APP	DATE
A		NEW RELEASE	TWC	N.O.	MES	1-12-06
B		MSL "3" WAS "4" IN NOTE 7, ADDED P/N'S 595-2201-002F, 595-2701-002F TO MSL "2a" IN NOTE 7, ADDED P/N'S 595-2101-002F, 595-2301-002F, 595-2401-002F, AND 595-2501-002F TO MSL "3" IN NOTE 7, REMOVED REFLOW SOLDERING SPECS FROM ABSOLUTE MAXIMUM RATINGS.				4-15-08
C		REVISED HI. INT. GREEN SPECS	AJF	KLJ	NO	3-16-10
D		REMOVED OBSOLETE P/N'S 595-2301-002F, 595-2401-013F, 595-2301-007F, 595-2301-013F, 595-2401-002F, 595-2401-007F, WITH THERE LED SPECS AND NOTES	VP	JTD	NO	1-7-16
E		REMOVED OBSOLETE P/N'S 595-2201-002F, 595-2201-013F, 595-2201-007F, 595-2501-013F, 595-2501-002F, 595-2501-007F, WITH THERE LED SPECS AND NOTES	VP	JTD	NO	3-9-16



- NOTES:
- 1- MILLIMETER DIMENSIONS SHOWN FOR REFERENCE ONLY.
 - 2- PAD NUMBERS ARE FOR REFERENCE ONLY, DESIGNATION NON-EXISTENT ON PART.
 - 3- STORAGE CONDITIONS FOR TAPED PRODUCT: RE-TAPING MAY BE NECESSARY FOR PRODUCTS STORED MORE THAN TWELVE MONTHS.
 - 4- ORDER QUANTITY IS LED ASSEMBLIES, NOT REELS
 - 5- ...-002 SUFFIX MEANS PARTS ARE PACKED ON A 20 pc SAMPLE STRIP
 - 6- ...-007 SUFFIX MEANS PARTS ARE PACKED ON A 7 INCH REEL, 600 pcs/REEL
 - 7- ...-013 SUFFIX MEANS PARTS ARE PACKED ON A 13 INCH REEL, 2300 pcs/REEL
 - 8- DIALIGHT PART NUMBERS = 595-2x01-002F, 595-2x01-007F, 595-2x01-013F
 - 9- PLACE MOISTURE SENSITIVITY LEVEL "3" LABEL ON 595-2701-002F, 595-2701-007F, 595-2701-013F, 595-2101-002F, 595-2101-007F, 595-2101-013F VACUUM SEAL BAG.
 - 10- PACKAGE ONE HUMIDITY INDICATOR CARD (P/N 9100-999-0662-99) PER BAG.
 - 11- PER LENS INSPECTION PROCEDURE 01-225 THIS AREA CAN HAVE PORTIONS MISSING OF UP TO 50%. NON-CRITICAL AREA BELOW LENS.



RoHS Compliant 595-2X01-0XXF Surface Mount CBI
 Part Numbers with the "F" suffix ending are RoHS Compliant.
 Example: 595-2101-002F
 Packaging is marked with "RoHS Compliant" label or equivalent markings. Parts can be wave soldered, dip soldered, or hand soldered using typical lead-free soldering process with max 260°C temp. for 5 sec.

THIS DRAWING AND THE CONTENTS HEREIN ARE CONFIDENTIAL AND THE SOLE PROPERTY OF DIALIGHT. REPRODUCTION OF THIS DRAWING OR CONSTRUCTION OF ANY PARTS WITHIN THIS DRAWING ARE FORBIDDEN WITHOUT THE WRITTEN CONSENT OF DIALIGHT.		
SCALE: DRAWING SCALE	DRAWING NUMBER	REV
ALL DIM'S IN: INCHES (MM)	C-17345	E
TOLERANCES: UNLESS OTHERWISE SPECIFIED	TITLE SURFACE MOUNT CBI	
FRACTIONS: ±1/64	RoHS COMPLIANT	
DECIMALS (.XX): ±.01	MATERIAL	
DECIMALS (.XXX): ±.005	FINISH:	
DECIMALS (.XXXX): ±.0005	FSCM 83330	
ANGLES: ±1°	SHEET 1 OF 1 FAMILY TABLE:	
Dialight 1501 ROUTE 34 SOUTH FARMINGDALE, NJ 07727		