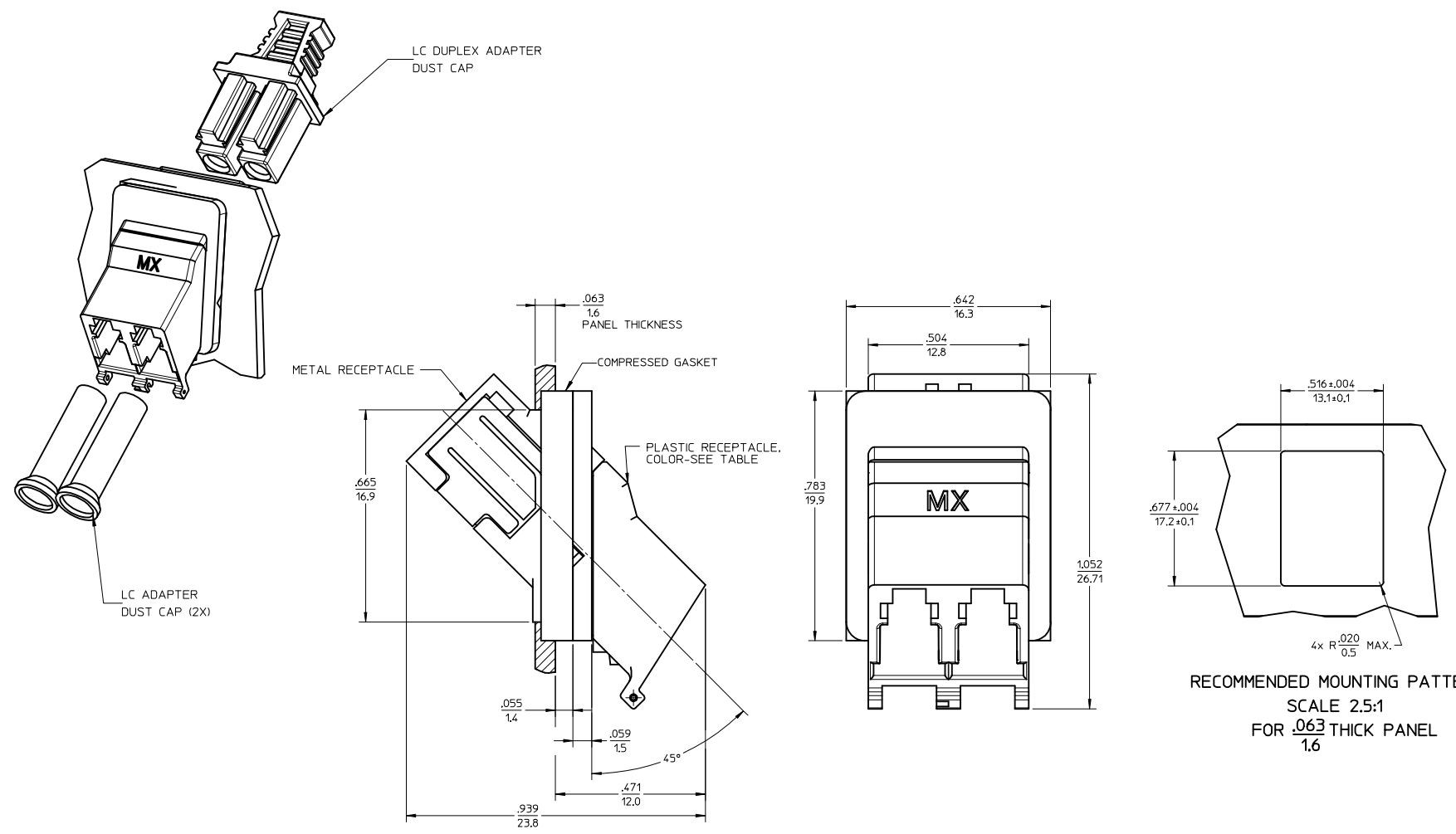


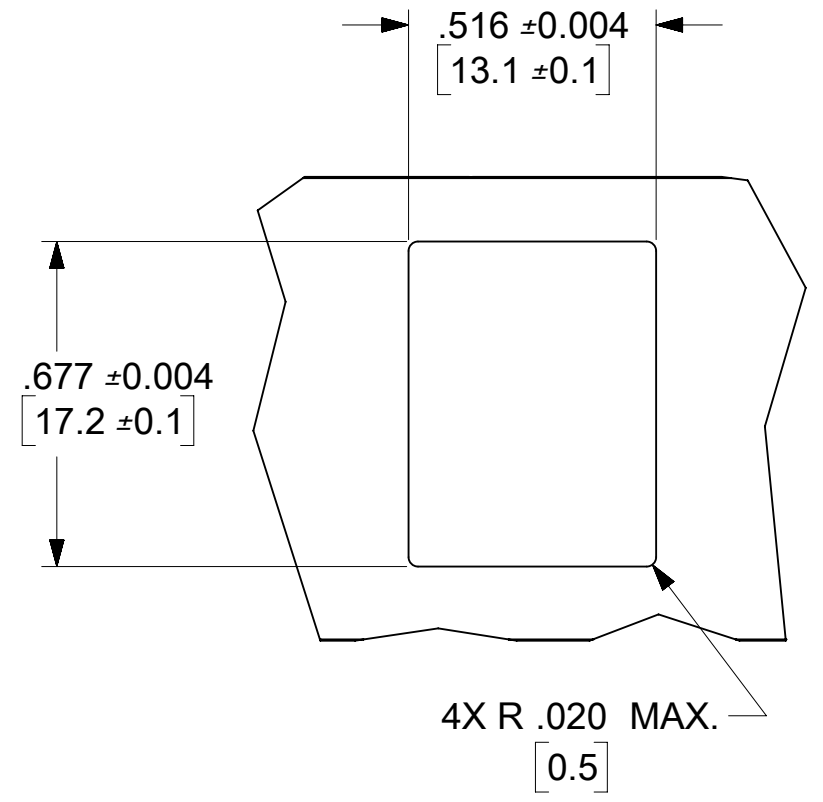
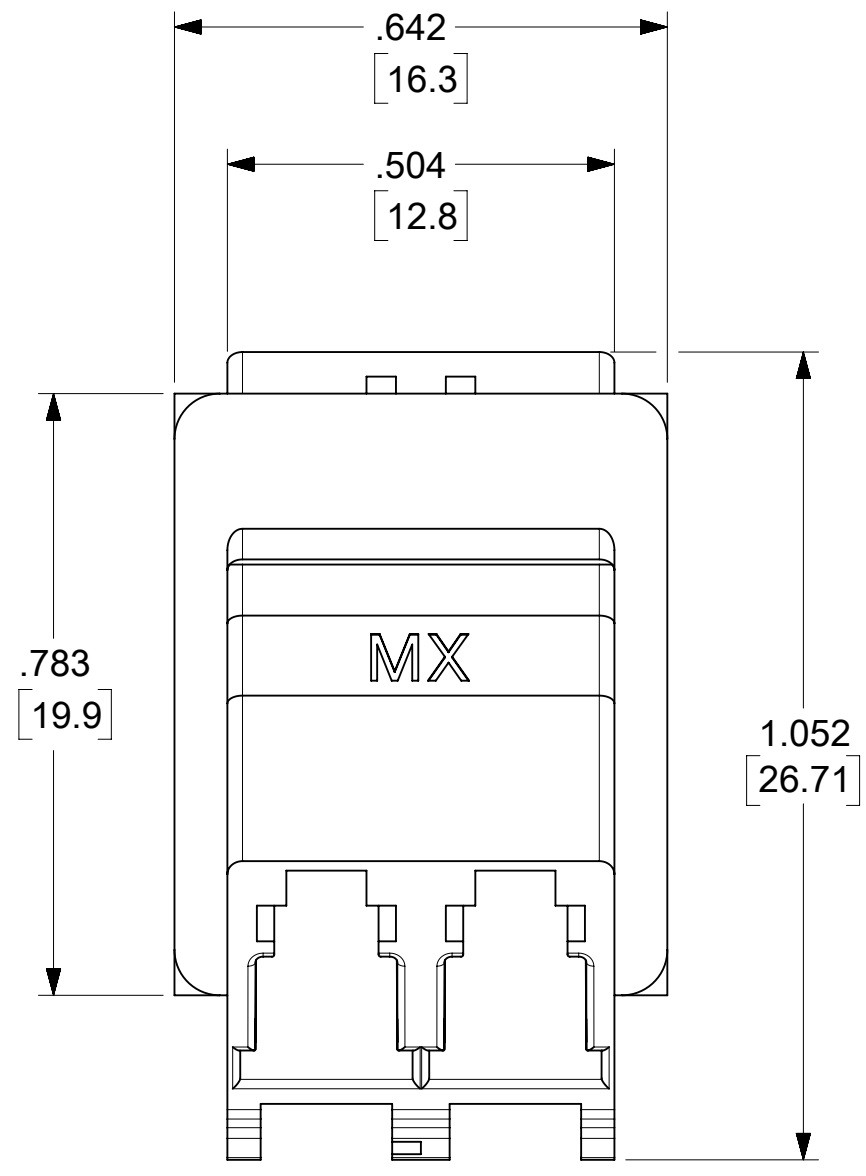
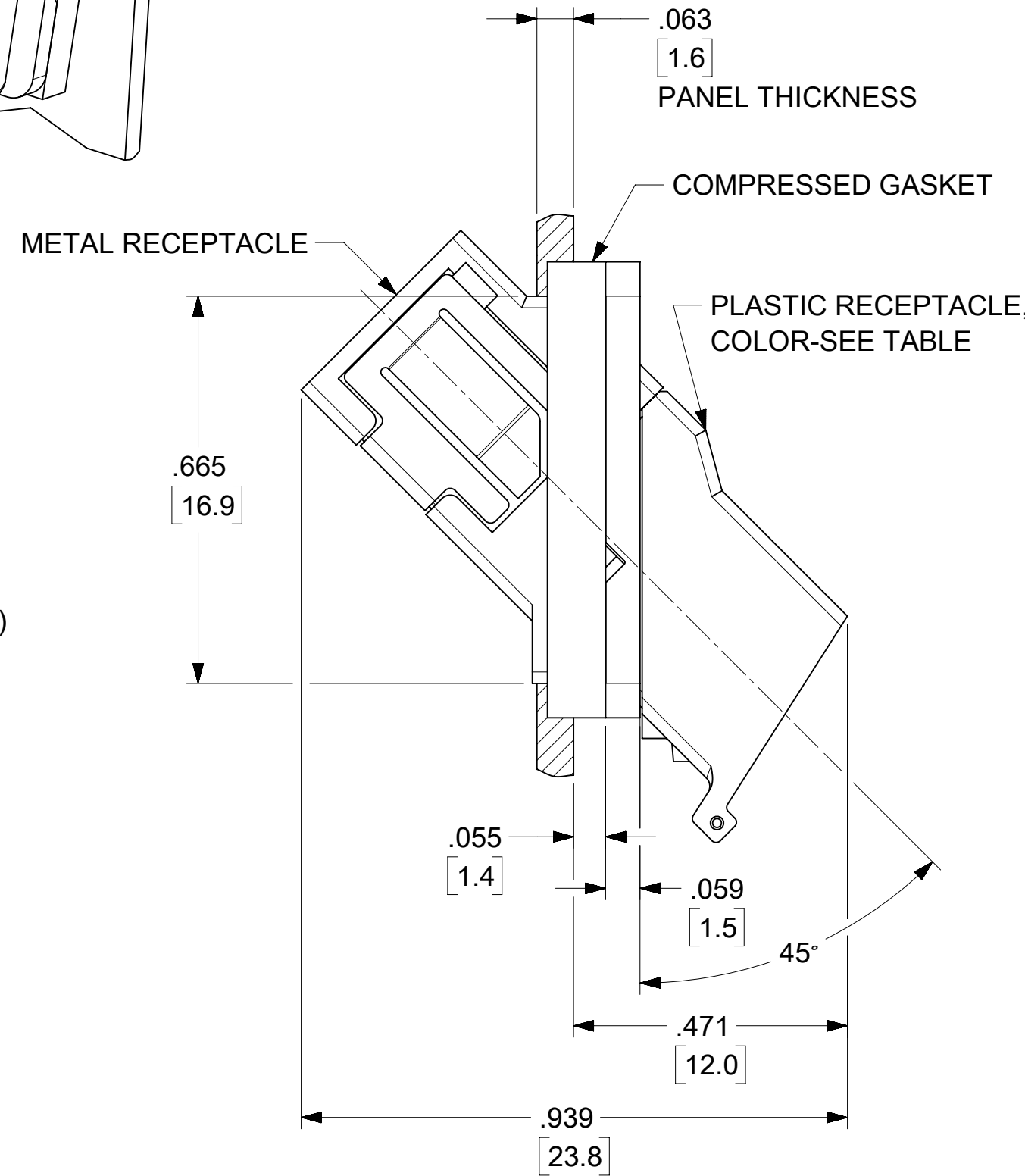
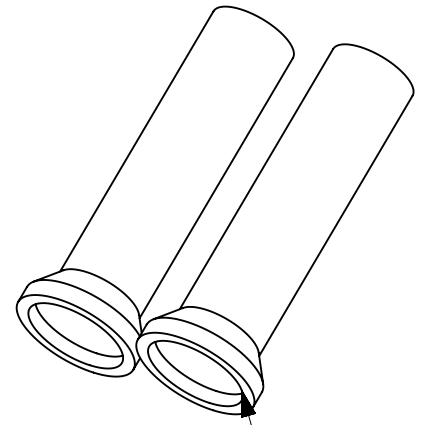
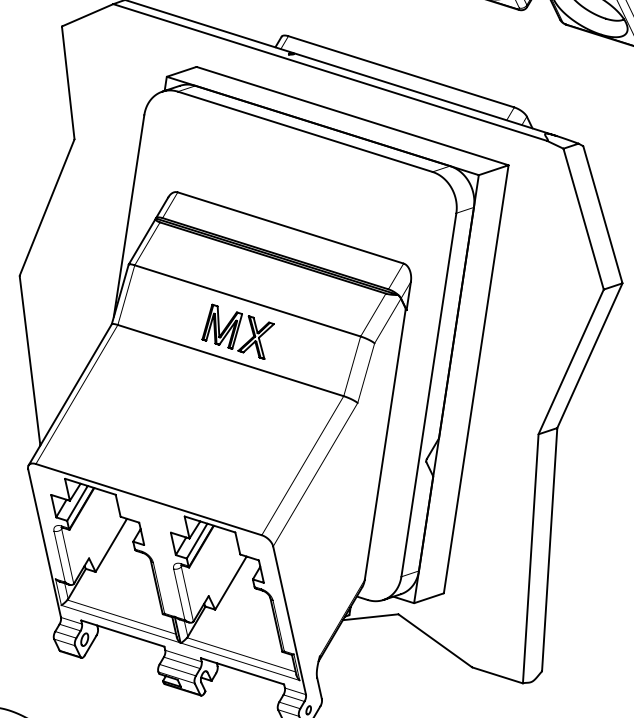
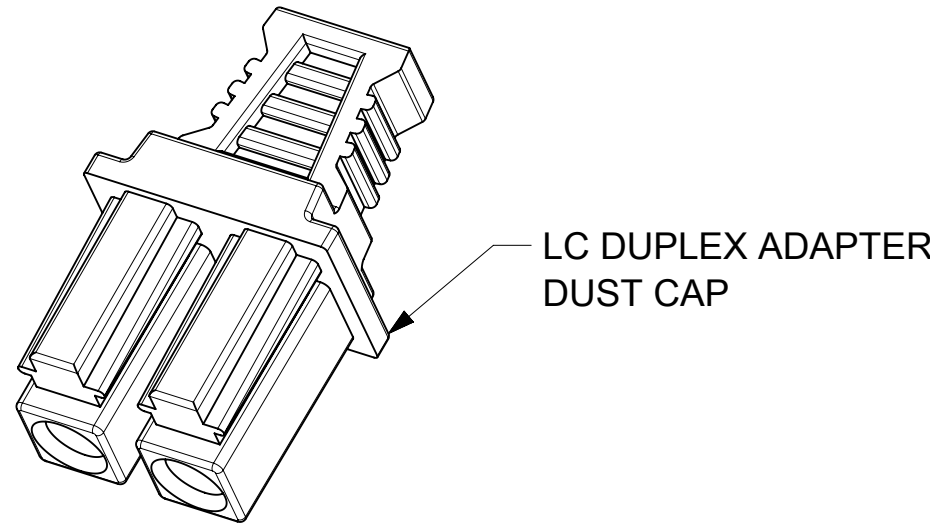
ADAPTER P/N	PLASTIC RECEPTACLE COLOR	SPLIT SLEEVE MATERIAL
106115-4150	BLUE	Zr
106115-4151	GREEN	Zr



- NOTES:
1. DIMENSIONS SHOWN ARE FOR REFERENCE ONLY.
  2. CONDUCTIVE FABRIC OVER FOAM GASKET (SHOWN COMPRESSED) IS SUPPLIED WITH THE PART.
  3. PACKAGING: 25 ADAPTERS PER TRAY AND 4 TRAYS PER BOX.

<b>ENTER DESCRIPTION</b> EC NO: MF2015-0214 DRWN: MAGHAYERE 2014/10/13 CHKD: APPR: GUMIN 2014/11/11 REV:	<b>QUALITY SYMBOLS</b> ▽=0 ▽=0 ▽=0	<b>GENERAL TOLERANCES (UNLESS SPECIFIED)</b>		<b>DIMENSION STYLE</b> IN/MM		<b>SCALE</b> 4:1	<b>DESIGN UNITS</b> INCH	<b>THIRD ANGLE PROJECTION</b>	
		4 PLACES ± --- ± --- 3 PLACES ± --- ± --- 2 PLACES ± --- ± --- 1 PLACE ± --- ± --- 0 PLACE ± --- ± ---	mm INCH INCH mm	DRAWN BY DATE L. SADAUSKAS 2006/12/18	CHECKED BY DATE	TITLE <b>LC-D EMI ADAPTER, 45 DEGREE (SNAP MOUNT) WITHOUT SHUTTER DOORS</b> <b>molex</b>			
<b>REVISIONS</b> D1		ANGULAR ±1/2° DRAFT WHERE APPLICABLE MUST REMAIN WITHIN DIMENSIONS		APPROVED BY DATE I. GUMIN 2006/12/27		MATERIAL NO. <b>SEE TABLE</b>		DOCUMENT NO. <b>SD-106115-4150</b>	SHEET NO. 1 OF 1
THIS DRAWING CONTAINS INFORMATION THAT IS PROPRIETARY TO MOLEX INCORPORATED AND SHOULD NOT BE USED WITHOUT WRITTEN PERMISSION									

ADAPTER P/N	PLASTIC RECEPTACLE COLOR	SPLIT SLEEVE MATERIAL
1061154150	BLUE	Zr
1061154151	GREEN	Zr



RECOMMENDED MOUNTING PATTERN  
SCALE 2.5:1  
FOR  $\frac{.063}{1.6}$  THICK PANEL

NOTES:

1. DIMENSIONS SHOWN ARE FOR REFERENCE ONLY.
2. CONDUCTIVE FABRIC OVER FOAM GASKET (SHOWN COMPRESSED) IS SUPPLIED WITH THE PART.
3. PACKAGING: 25 ADAPTERS PER TRAY AND 4 TRAYS PER BOX.

THIS DRAWING CONTAINS INFORMATION THAT IS PROPRIETARY TO MOLEX ELECTRONIC TECHNOLOGIES, LLC AND SHOULD NOT BE USED WITHOUT WRITTEN PERMISSION										
SYMBOLS		DIMENSION UNITS		SCALE		CURRENT REV DESC:				
▽ = 0	in/mm	4:1								
▽ = 0	GENERAL TOLERANCES (UNLESS SPECIFIED)									
▽ = 0		MM	INCH							
▽ = 0	4 PLACES	±	±			EC NO: 607999				
▽ = 0	3 PLACES	±	±			DRWN: GSHARMA		2018/11/09		
▽ = 0	2 PLACES	±	±			CHK'D: IGUMIN		2018/11/21		
▽ = 0	1 PLACE	±	±			APPR: WCHEN		2018/11/29		
▽ = 0	0 PLACES	±	±			INITIAL REVISION:				
▽ = 0	ANGULAR TOL	±	0.5°			DRWN: LSADAUSKIENE		2007/01/03		
▽ = 0	DRAFT WHERE APPLICABLE MUST REMAIN WITHIN DIMENSIONS			THIRD ANGLE PROJECTION		DRAWING		SERIES		
▽ = 0				C-SIZE		106115				
DOCUMENT STATUS		P1	RELEASE DATE	2018/11/29	16:25:52	DOCUMENT NUMBER		DOC TYPE	DOC PART	REVISION
						SD-106115-4150		PSD	001	D2
						MATERIAL NUMBER		CUSTOMER		SHEET NUMBER
						SEE TABLE		GENERAL MARKET		1 OF 1