

## CTGSR74BF Series

From 4.7 $\mu$ H to 270 $\mu$ H



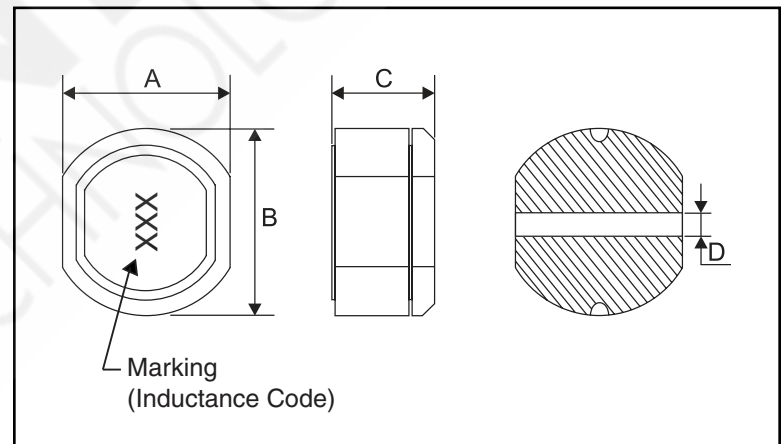
### SPECIFICATIONS

Please specify tolerance code when ordering.  
CTGSR74BF-100\_ ← L =  $\pm$ 15%, M =  $\pm$ 20%, N =  $\pm$ 30%

Part Number	Inductance ( $\mu$ H)	L Test Freq. (Hz)	DCR Max. ( $\Omega$ )	Rated DC (A)
CTGSR74BF-4R7N	4.7	100k	0.03	3.15
CTGSR74BF-100_	10	2.52M	0.07	1.65
CTGSR74BF-120_	12	2.52M	0.07	1.57
CTGSR74BF-150_	15	2.52M	0.08	1.39
CTGSR74BF-180_	18	2.52M	0.10	1.29
CTGSR74BF-220_	22	2.52M	0.13	1.12
CTGSR74BF-270_	27	2.52M	0.16	1.06
CTGSR74BF-330_	33	2.52M	0.18	0.97
CTGSR74BF-390_	39	2.52M	0.18	0.91
CTGSR74BF-470_	47	2.52M	0.27	0.80
CTGSR74BF-560_	56	2.52M	0.29	0.76
CTGSR74BF-680_	68	2.52M	0.33	0.68
CTGSR74BF-820_	82	2.52M	0.43	0.62
CTGSR74BF-101_	100	1.00k	0.49	0.55
CTGSR74BF-121_	120	1.00k	0.68	0.49
CTGSR74BF-151_	150	1.00k	0.94	0.44
CTGSR74BF-181_	180	1.00k	1.00	0.40
CTGSR74BF-221_	220	1.00k	1.18	0.36
CTGSR74BF-271_	270	1.00k	1.30	0.33

### PHYSICAL DIMENSIONS

Size	A Max.	B Max.	C Max.	D Ref.
mm	7.35	8.15	4.9	2.1
inches	0.29	0.32	0.19	0.08



### CHARACTERISTICS

**Description:** SMD (shielded) power inductor

**Applications:** Power supplies for OA equipment, LCD televisions, PC notebooks, portable communication equipment, DC/DC converters

**Operating Temperature:** -40°C to +85°C

**Storage Temperature:** -40°C to +85°C

**Inductance Tolerance:**  $\pm$ 15%,  $\pm$ 20%,  $\pm$ 30%

**Testing:** Inductance is tested on an HP4285A at a specified frequency

**Packaging:** Tape & Reel, 1,000 parts per reel

**Marking:** Marked with inductance code

**Miscellaneous:** RoHS Compliant.

**Additional Information:** Additional electrical & physical information available upon request.

**Samples available. See website for ordering information.**